

# Surface Mount Current Sense

MODEL HM30

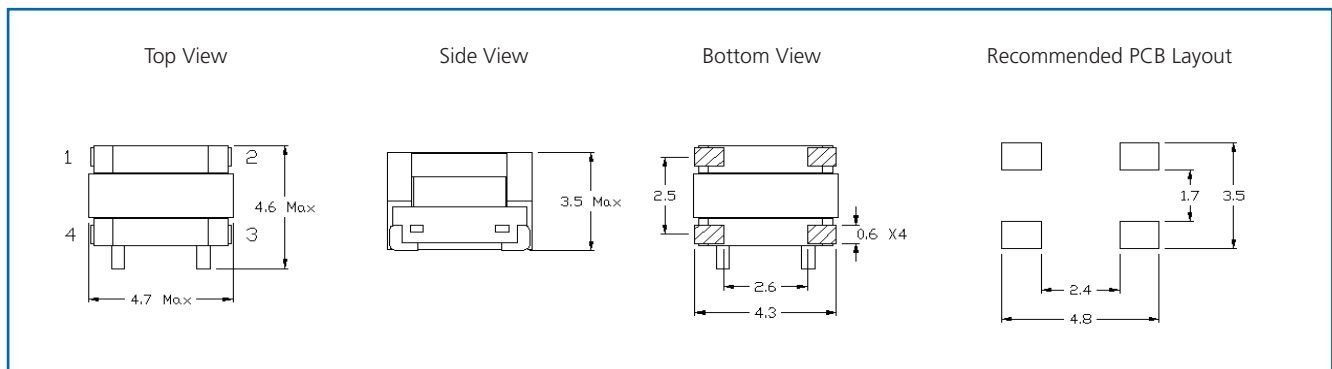
- Operating Temperature Range  $-40^{\circ}\text{C}$  to  $+125^{\circ}\text{C}$
- Dielectric Withstanding Voltage 500Vac Pri to Sec
- RoHS Compliant



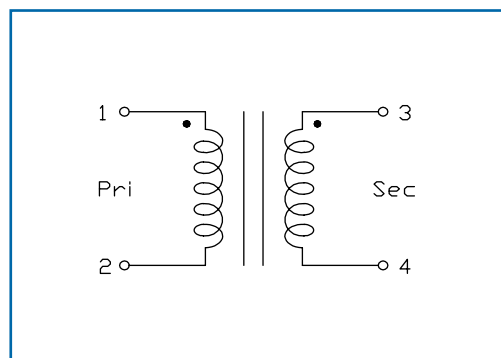
## Specifications @ $25^{\circ}\text{C}$

Part Number	Turns Ratio Pri : Sec	Secondary Inductance $\mu\text{H}$ Min.	Primary $\text{m}\Omega$ Max.	Secondary $\text{m}\Omega$ Max.	Primary Current Rating A
HM30-4735150LF	1 : 150	2000	2.5	21800	7.5
HM30-4735125LF	1 : 125	1450	2.5	16900	7.5
HM30-4735100LF	1 : 100	930	2.5	13300	7.5
HM30-473590LF	1 : 90	750	2.5	8300	7.5
HM30-473580LF	1 : 80	590	2.5	6700	7.5
HM30-473570LF	1 : 70	450	2.5	6000	7.5
HM30-473550LF	1 : 50	230	2.5	2500	7.5
HM30-473540LF	1 : 40	145	2.5	1900	7.5
HM30-473530LF	1 : 30	80	2.5	1000	7.5
HM30-473520LF	1 : 20	37	2.5	600	7.5

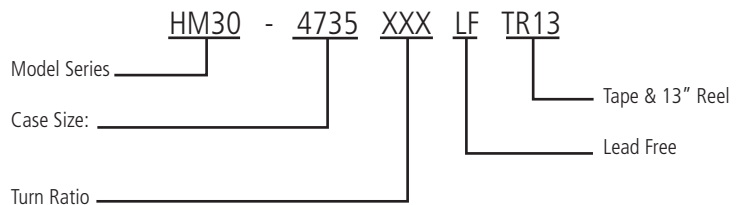
## Outline Dimensions (mm)



## Schematic



## Ordering Information



### General Note

TT electronics reserves the right to make changes in product specification without notice or liability. All information is subject to TT electronics' own data and is considered accurate at time of going to print.