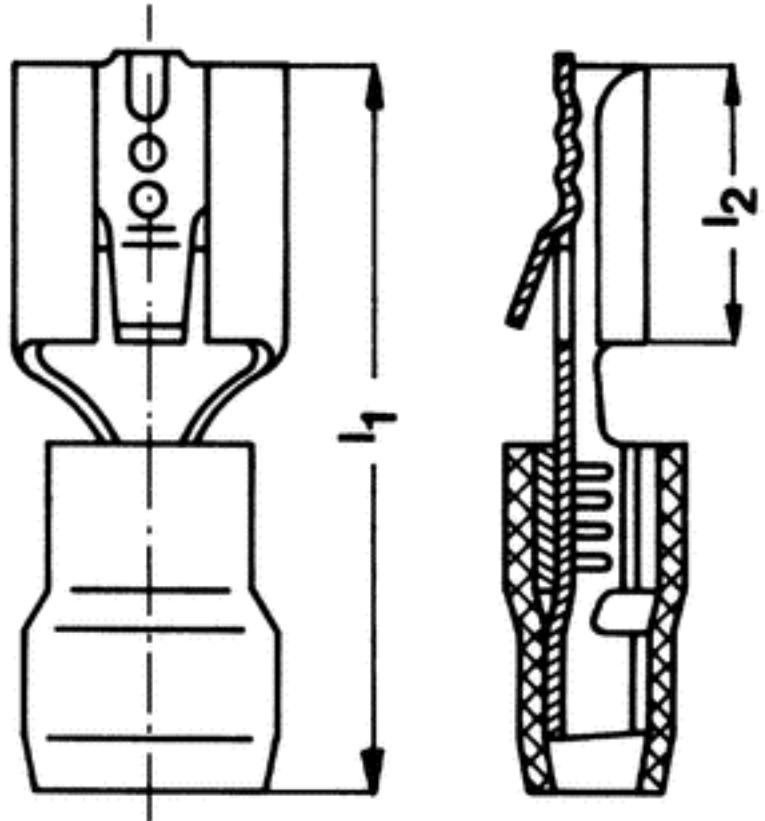




Characteristics and dimensions of terminals

Part number	36020.000.000
Specification	Receptacle with insulation sleeve
Form	Single form
Assembly	X
Packing unit / piece	750
Tab thickness (mm)	0.80
Tab width (mm)	7.70
Material thickness (mm)	0.45
l_1	25.00
l_2	9.50



Note: The drawing only gives an overview of the geometry of the part. The crimp area is shown as supplied in strip form. A technical drawing is available on request.

[Contents of your inquiry](#)

Packing Units (per 750 pieces) CW