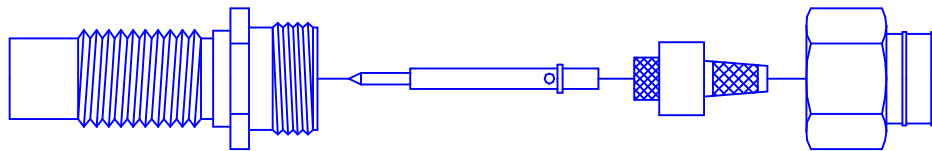
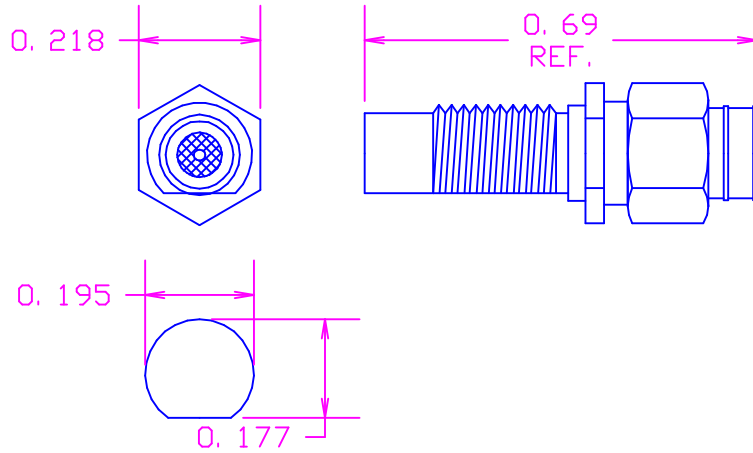


DATE	SYM	REVISION	RECORD	AUTH.	DR.	CK.
9/1/98	-	ISSUED			NT	GH



MATERIAL: BODY- BRASS PER ASTM B16,  
CONTACT- BRASS PER ASRM B16  
INSULATION- PTFE PER ASTM D1710

FINISH: BODY- GOLD PLATED  
CONTACT- .0001"MIN. GOLD PER MIL-G-45204

IMPEDANCE: 50 OHMS REF.  
CABLE: RG 178, 196, 404

ACTUAL SIZE



TOLERANCES REF. ONLY	CONCORD ELECTRONICS CORPORATION		
DECIMAL + -	P/N	SCALE	30 GREAT JONES ST. NEW YORK N. Y. 10012
FRACTIONAL + -	TITLE SMC JACK STRAIGHT BULKHEAD		
+ -	DATE 8-13-98	DRAWING NUMBER 800-1315-03-83	