

Ph Free

RoHS Compliant

Features

- Ultra-miniature SMD type (2.0×1.6×0.75mm)
- Frequency deviation : $\pm 0.5 \times 10^{-6} / -30$ to $+85^\circ\text{C}$
- 2.3 to 3.6V drive available
- Reflow compatible
- Low driving voltage(1.8V)
- Disable Function } Option

Applications

- GPS Unit

How to Order

KT2016Y 27456 A C W 28 T xx
 ① ② ③ ④ ⑤ ⑥ ⑦ ⑧

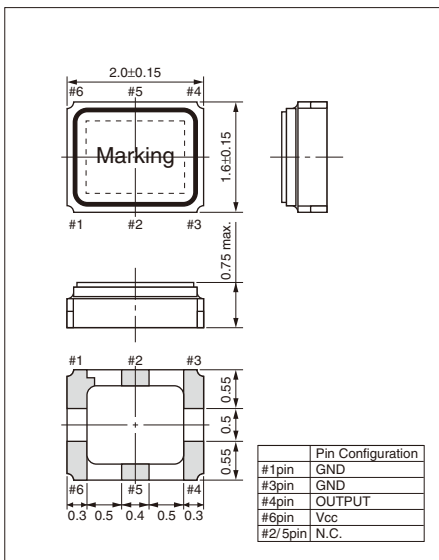
- ① Series
- ② Output Frequency **28** 2.8V **30** 3.0V
- ③ Frequency deviation **A** $\pm 0.5 \times 10^{-6}$
- ④ Lower Operating Temp. **C** -30°C
E -20°C
G -10°C
- ⑤ Upper Operating Temp. **W** $+85^\circ\text{C}$
V $+80^\circ\text{C}$
U $+75^\circ\text{C}$
- ⑥ Supply Voltage **28** 2.8V **30** 3.0V
- ⑦ Voltage Control Range **T** TCXO
- ⑧ Option Code

Specifications

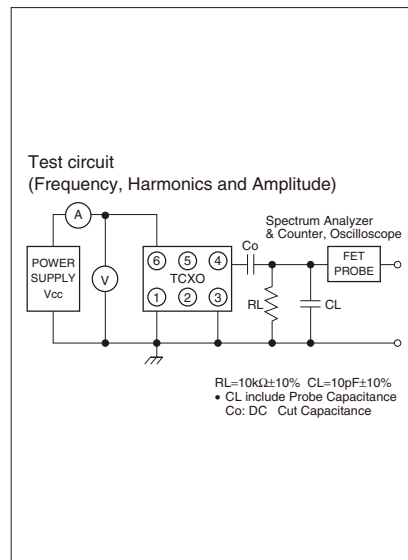
Item	Symbol	Conditions	Min.	Max.	Units
Output Frequency Range	fo	Standard Frequency: 16.368, 16.369, 19.2, 23.104, 24.5535, 26, 27.456	—	—	MHz
Frequency Tolerance	f _{tol}	vs Temperature	-0.5	+0.5	$\times 10^{-6}$
		vs Load	-0.1	+0.1	
		vs Voltage	-0.2	+0.2	
Frequency Aging	f _{age}	Per Year	-1	+1	$\times 10^{-6}$
Storage Temperature Range	T _{stg}		-40	+85	$^\circ\text{C}$
Operating Temperature Range	T _{use}		-30	+85	$^\circ\text{C}$
Supply Voltage	V _{cc}		2.3	3.6	V
Output Level	V _{pp}	10k ohm // 10pF	0.8	—	Vp-p
Current Consumption	I _{cc}		—	2	mA
Harmonics	—		—	-5	dBc

Dimensions

(Unit: mm)



Test Circuit



Recommended Land Pattern

(Unit: mm)

