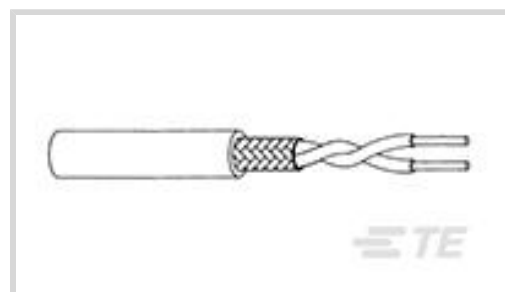




Wire & Cable > High Speed Digital & Data Cable



High Speed Digital & Data Cable Type: **Cheminax**

Impedance: **125 Ω**

Wire Size: **24 AWG**

Operating Temperature Range: **-65 – 150 °C [-85 – 302 °F]**

Features

Product Type Features

Product Classification	Cable - Coaxial
Cable Style	Twisted Pair
Product Type	Cable
High Speed Digital & Data Cable Type	Cheminax

Electrical Characteristics

	10.4 pF/ft
Impedance	125 Ω

Signal Characteristics

Velocity of Propagation	78%
-------------------------	-----

Body Features

Shield Material	Tin-Plated Copper
Shield Style	Single
Jacket Color	White
Conductor Material	Silver-Plated High Strength Copper

Dimensions

Wire Diameter	.64 mm[.025 in]
Cable Dielectric Diameter	1.83 mm[.072 in]
Overall Outside Diameter	4.85 mm[.191 in]
Wire Size	24 AWG

Usage Conditions

Operating Temperature Range	-65 – 150 °C[-85 – 302 °F]
-----------------------------	----------------------------

Other

Dielectric Material	Rayfoam L
---------------------	-----------

Product Compliance

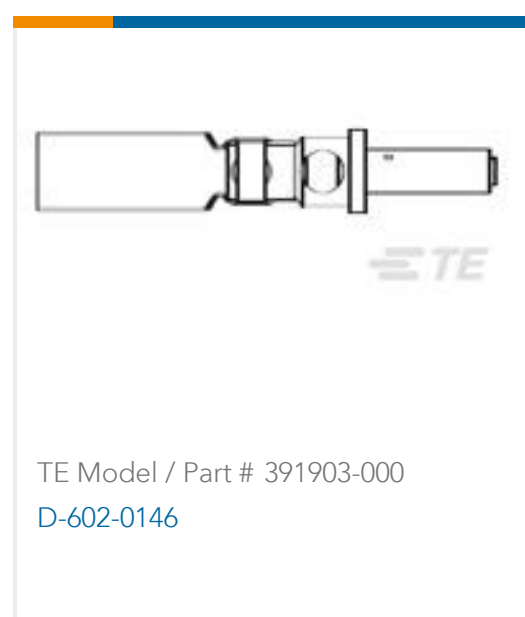
[For compliance documentation, visit the product page on TE.com>](#)

EU RoHS Directive 2011/65/EU	Not Compliant
EU ELV Directive 2000/53/EC	Not Compliant
China RoHS 2 Directive MIIT Order No 32, 2016	Restricted Materials Above Threshold
EU REACH Regulation (EC) No. 1907/2006	Current ECHA Candidate List: JUN 2020 (209) Candidate List Declared Against: JUL 2019 (201) Does not contain REACH SVHC
Halogen Content	Out of Scope - excluded from Halogen requirements
Solder Process Capability	Not applicable for solder process capability

Product Compliance Disclaimer

This information is provided based on reasonable inquiry of our suppliers and represents our current actual knowledge based on the information they provided. This information is subject to change. The part numbers that TE has identified as EU RoHS compliant have a maximum concentration of 0.1% by weight in homogenous materials for lead, hexavalent chromium, mercury, PBB, PBDE, DBP, BBP, DEHP, DIBP, and 0.01% for cadmium, or qualify for an exemption to these limits as defined in the Annexes of Directive 2011/65/EU (RoHS2). Finished electrical and electronic equipment products will be CE marked as required by Directive 2011/65/EU. Components may not be CE marked. Additionally, the part numbers that TE has identified as EU ELV compliant have a maximum concentration of 0.1% by weight in homogenous materials for lead, hexavalent chromium, and mercury, and 0.01% for cadmium, or qualify for an exemption to these limits as defined in the Annexes of Directive 2000/53/EC (ELV). Regarding the REACH Regulation, the information TE provides on SVHC in articles for this part number is based on the latest European Chemicals Agency (ECHA) 'Guidance on requirements for substances in articles' posted at this URL: <https://echa.europa.eu/guidance-documents/guidance-on-reach>

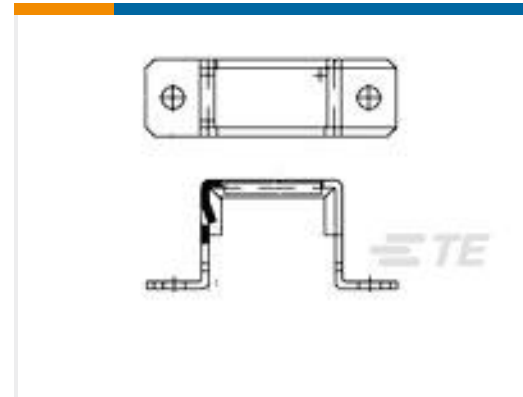
Compatible Parts



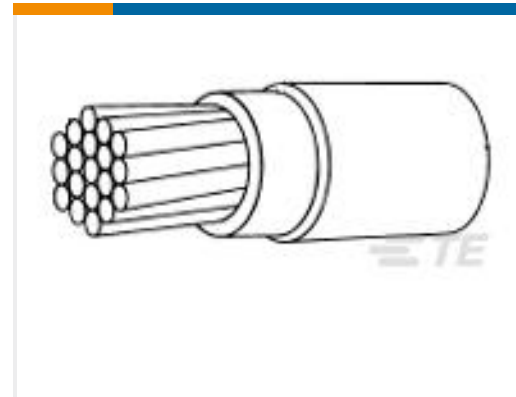
Customers Also Bought



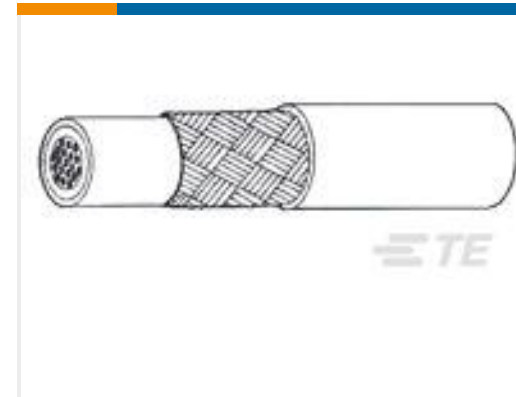
TE Model / Part #ABC03N-22S
IN-LINE RECP



TE Model / Part #591637-1
BRACKET,FRAME ASSY



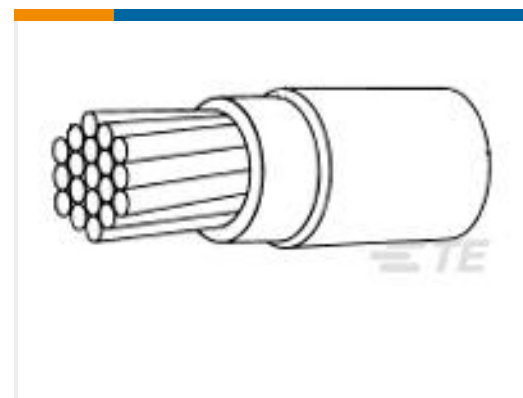
TE Model / Part #159454-000
22759/35-22-9



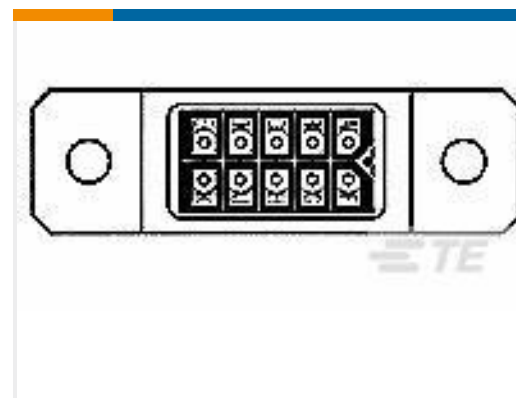
TE Model / Part #146439-000
44AM1111-22-9-9CS2275



TE Model / Part #YDIV46E21-35SBC009
PLUG ASSY



TE Model / Part #173065-000
22759/43-01-9



TE Model / Part #591858-1
TJ F/B 20 ELECT SPECIAL



TE Model / Part #413119-000
CTC-0041-22



TE Model / Part #650125-000
D-436-95



TE Model / Part #972203-000
S03-02-R-100

Documents

Product Drawings

2524E0114-9

English

Datasheets & Catalog Pages

1654025_Sec9_CheminaxCables

English

Wire and Cable Overview

English

Product Specifications

Product Specification

English