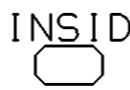
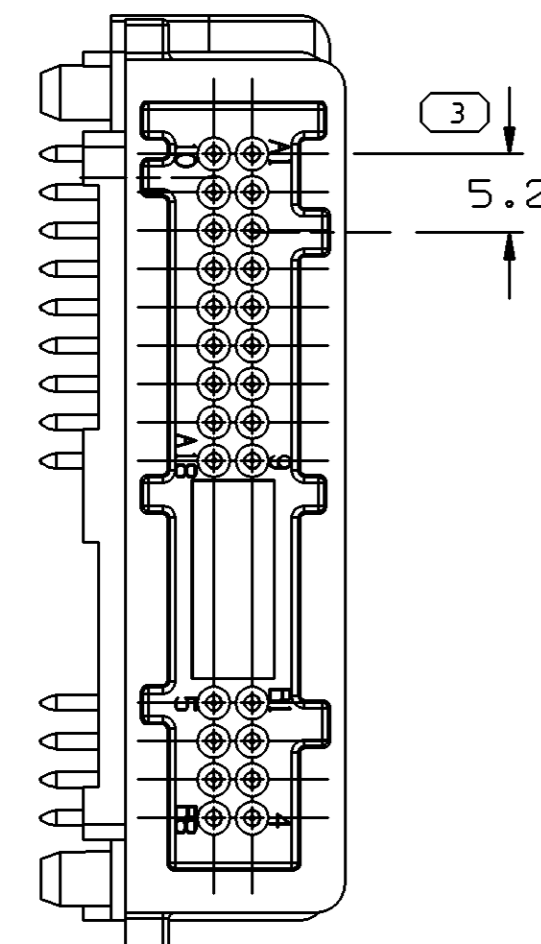
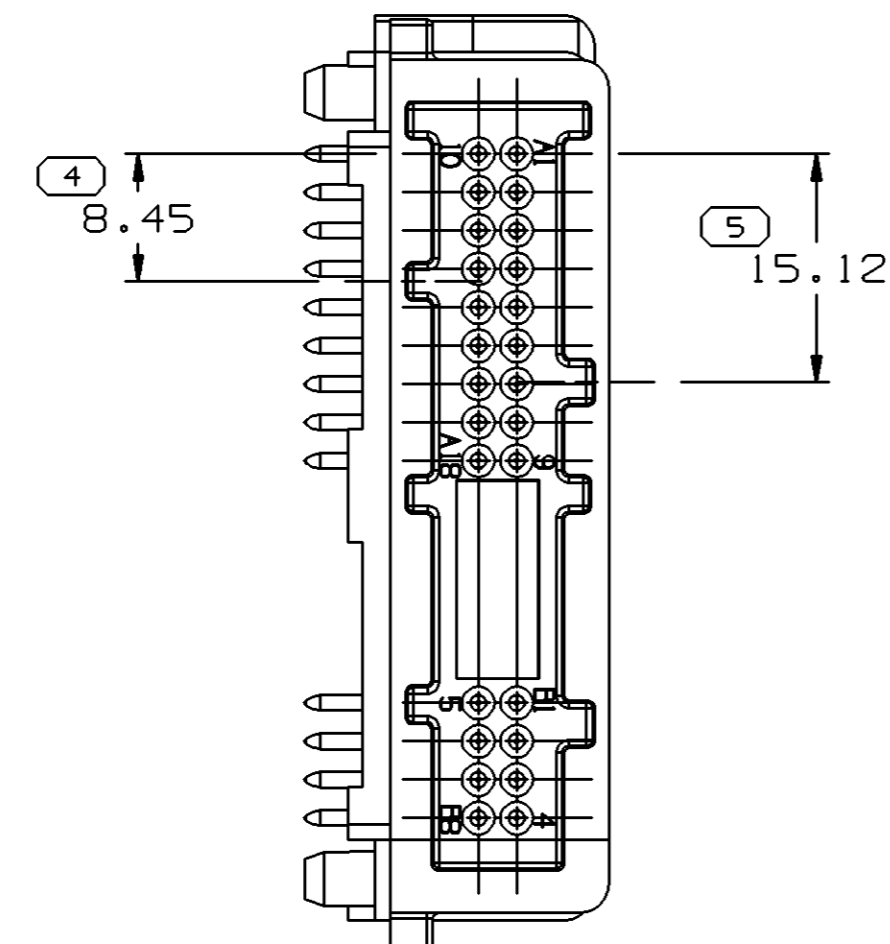


SYMBOL DEFINITION		MISSING NUMBERS	
THE NUMBER INSIDE THE SYMBOL  CORRESPONDS TO THE NUMBER ON THE INSPECTION REPORT FOR THIS DRAWING/PART NUMBER	TOTAL NO. OF SYMBOLS ON DRAWING	11	
	LAST NO. USED	11	

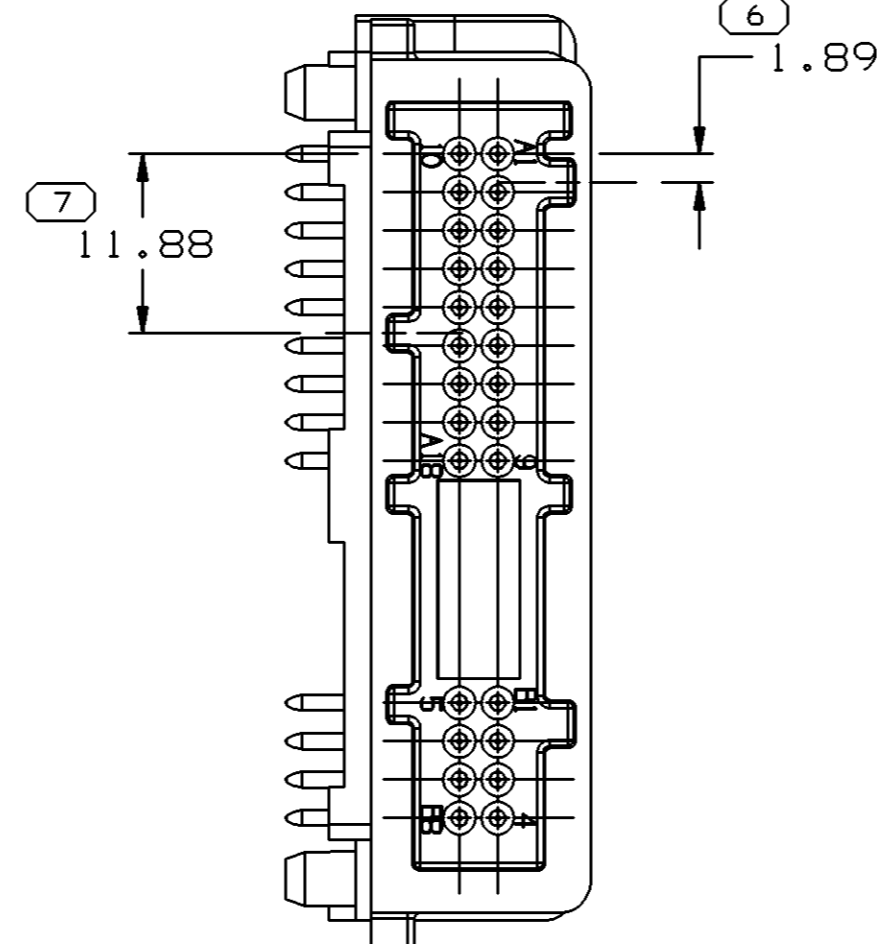
DWG STATUS					ZONE	REVISION HISTORY	AUTH	DR	APVD1	APVD2
DATE	STG	REV	N/P	CHG						
07SE99	R	01	-	-		15356969 - RELEASED	990005	EVV	MVA	SM
21MR00	R	02	-	-		15357173-75, 77, 94 & 8893 - RELEASED	000005	KBD	KBD	SMM
21MR00	R	03	-	-		15356969 - MOVED TO SHT 3 AND ALL PARTS - ADDED NOTE 7 & REVISED NOTE 4	197650	KBD	KBD	SMM
24MY00	R	04	-	-		ALL PARTS - REVISED CHART BARCODE NUMBERS FOR PART NUMBER & "AAAA" NUMBER	201486	JHH	JHH	SMM
27JL00	R	05	-	-		ALL PARTS - REVISED TITLE BLOCK SHEET 2 WAS 2 OF 4	202435	JHH	JHH	SMM
310C00	R	06	-	-		ALL PARTS - ADDED NOTE #8	204269	MAR	MAR	SMM
05SE01	R	07	-	-		15417626 & 27 - RELEASED; 15357173, 75, 77, 94 - MATING CONN WAS 15357038	212720	MAC	MAC	MB
23AU04	R	08	-	-		ADDED "MATING INTERFACE" NOTE; REVISED GRAPHICS; CHANGED LABEL AND PIN PLATING SUPPLIERS	252752	ADK	ADK	DMB



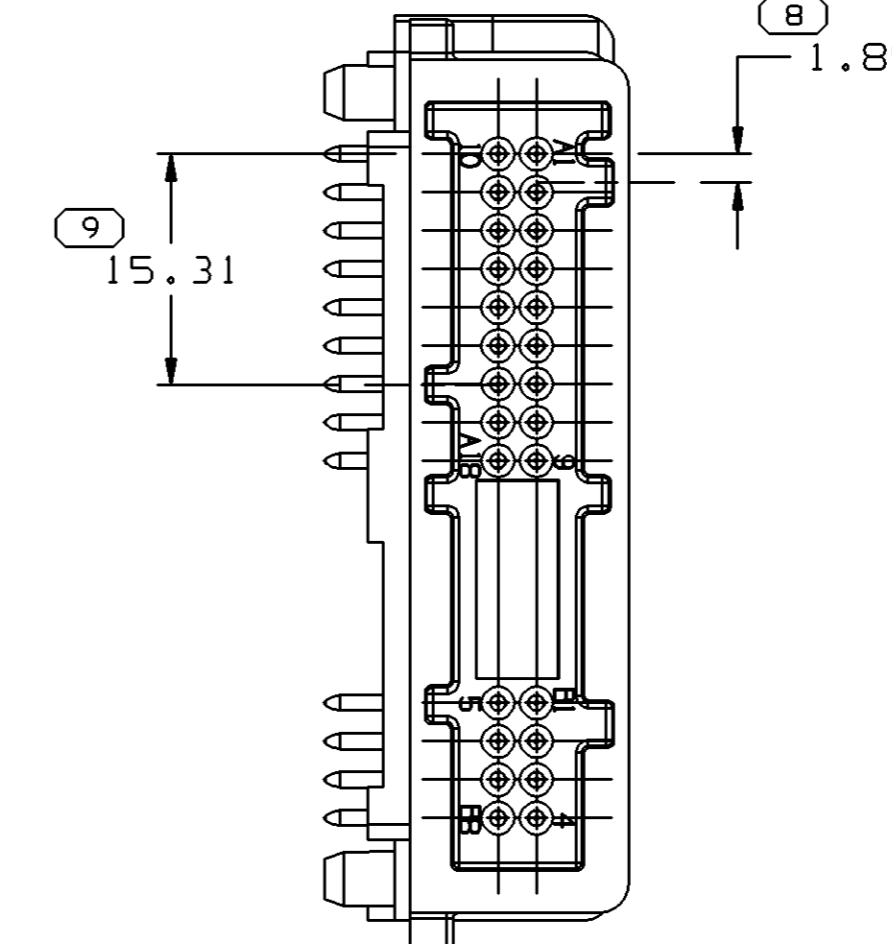
TYPE D4-102  
SAME AS TYPE D2C-108  
EXCEPT AS SHOWN



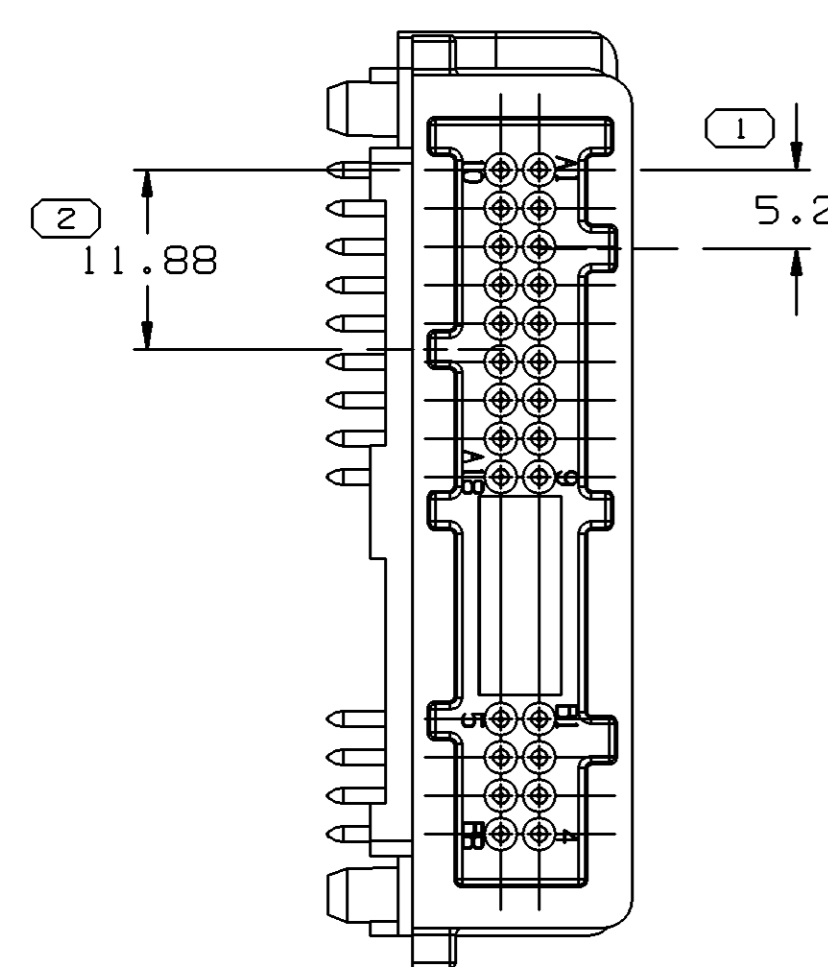
TYPE D4-305  
SAME AS TYPE D2C-108  
EXCEPT AS SHOWN



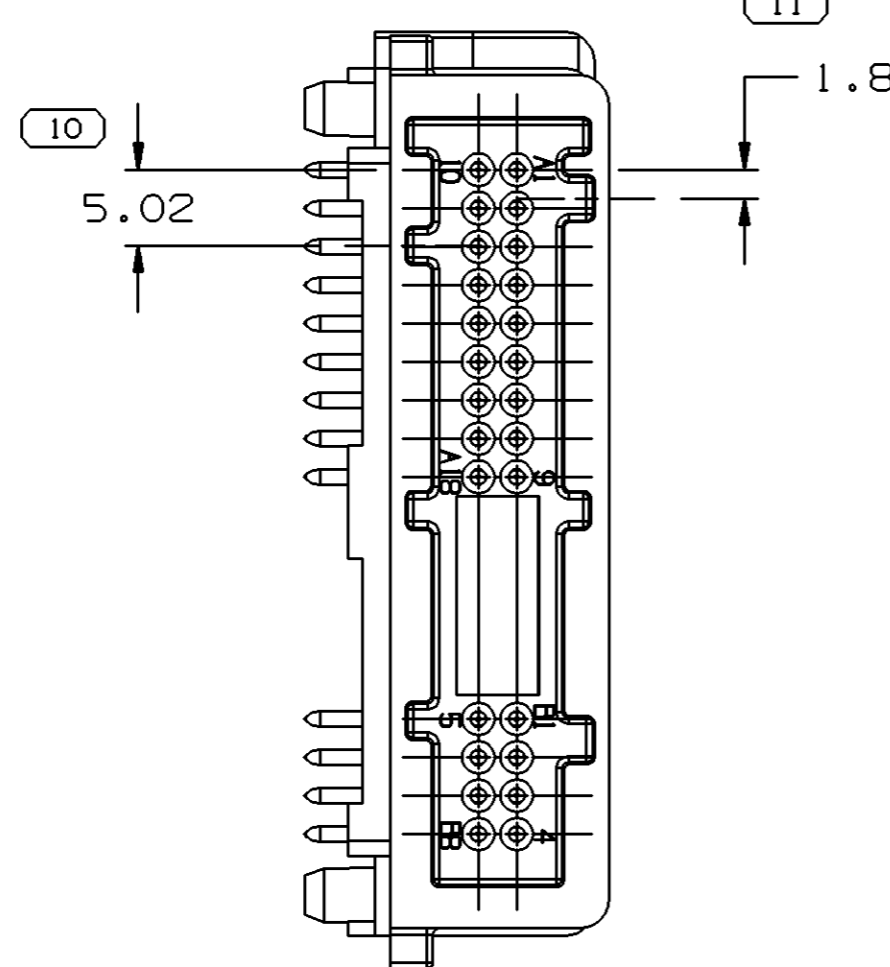
TYPE D4-401  
SAME AS TYPE D2C-108  
EXCEPT AS SHOWN



TYPE D4-501  
SAME AS TYPE D2C-108  
EXCEPT AS SHOWN



TYPE D4-402  
SAME AS TYPE D2C-108  
EXCEPT AS SHOWN



TYPE D4-201  
SAME AS TYPE D2C-108  
EXCEPT AS SHOWN

- NOTES
- UNLESS OTHERWISE SPECIFIED AND/OR INDICATED: DIMENSIONS ARE TO FACE OF VIEW SHOWN AND AUTOMATICALLY ROUNDED BY COMPUTER FOR INSPECTION. (SEE MATH MODEL FOR PRECISE DIMENSIONS.) FOR ALL OTHER DIMENSIONS NOT SHOWN BUT REQUIRED FOR TOOL BUILD, SEE MATH MODEL FOR PRECISE TOOL PATH DATA.
  - MATING FEMALE CONNECTOR & RETAINER OR EQUIVALENT - SEE CHART
  - PIN SOLDERABILITY - SEE ES0-1503
  - CONNECTOR TYPES - HEADER TO CASE INDEXING  
D2 - 18 PINS - BACK RIGHT RIB  
D4 - 26 PINS - BACK LEFT RIB  
D6/8 - 18/26/34 - FRONT RIGHT RIB
  - INDEX TYPES - HEADER TO FEMALE INDEXING
  - SEALING CODE 3 - DESIGN WILL PASS SALT FOG AND IMMERSION TEST AFTER CONDITIONING AS SPECIFIED IN ESA-644 (WEATHER-PACK), ESA-710 (METRI-PACK), ESA-650 (UNDERHOOD MICRO-PACK), C-4006 (WORLD CONNECTOR), ETC - WHEN MATED TO MATING PART OR EQUIVALENT
  - SEE SHEET 1 FOR CIRCUIT BOARD INFORMATION AND DETAILED HEADER ASSEMBLY DIMENSIONS.
  - ASSEMBLY PIN LOCATION - DETERMINED BY TOTAL NUMBER OF PINS  
22 PINS: CAVITIES A1-A18 AND B5-B8  
26 PINS: CAVITIES A1-A18 AND B1-B8  
30 PINS: CAVITIES A1-A18, B1-B8, AND C1-C4  
34 PINS: ALL CAVITIES
  - MATING INTERFACE AND PRINTED CIRCUIT BOARD INTERFACE ARE VERIFIED BY APPROVED GAGES PER FUNCTIONAL FIT CONTROL PLAN.

PART NO	REV	N/P	STATUS	A NO OF PINS	HEADER CONNECTOR	CONNECTOR TYPE	BARCODE PART NO	BARCODE NO FOR "AAAA"	INDEX TYPE	CONNECTOR RETAINER MATING COMPONENTS	
15417627	02	-	-	26	15318114	D4	15417629	3151	305	15357037	15354760
15417626	02	-	-	26	15328994	D4	15417628	1123	102	15357037	15318146
15358893	02	-	-	26	15358892	D4	15359339	2114	201	15357037	15318151
15357194	02	-	-	26	15354746	D4	15359344	4124	402	15357037	15354765
15357177	02	-	-	26	15354840	D4	15359346	5114	501	15357037	15354842
15357175	02	-	-	26	15354662	D4	15359343	4114	401	15357037	15354764
15357174	02	-	-	26	15318114	D4	15359341	3154	305	15357037	15354760
15357173	02	-	-	26	15328994	D4	15359337	1124	102	15357037	15318146

DIMENSIONAL RANGE (MM)	CHART	TOLERANCE UNLESS OTHERWISE SPECIFIED
FROM 0 TO 20	30	±0.15
20 TO 30	70	±0.2
30 TO 70	100	±0.3
70 TO 100	100	±0.4
> 100	100	±0.5

DWG TYPE: PART DRAWING

STYLE: [ ]

VOLUME (CM<sup>3</sup>): [ ]

DISTR CODE: **D**

UNLESS OTHERWISE SPECIFIED THIS DOCUMENT IS IN ACCORDANCE WITH ASME Y14.5M-1994 AS AMENDED BY THE GM GLOBAL DIMENSIONING AND TOLERANCING ADDENDUM - 1997. ALL GEOMETRIC TOLERANCES AND RELATED DATUMS APPLY RFS. RULE #1 PERFECT FORM AT MMC DOES NOT APPLY WHEN RELATIONSHIP BETWEEN FEATURES IS ESTABLISHED BY ORIENTATION OR LOCATION TOLERANCES. SEPARATE POSITION CALLOUTS MAY BE GAGED SEPARATELY, REGARDLESS OF DATUM REFERENCE. ALL DIMENSIONS ARE IN MILLIMETERS.

THIRD ANGLE PROJECTION

DO NOT SCALE

USE MATH DATA

UNIGRAPHICS

**DELPHI**

DELPHI PACKARD ELECTRIC SYSTEMS  
WARREN, OH

DR	DATE
APVD1 ELIAS VAZQUEZ V.	07SE99
APVD2 MANUEL VEGA	08SE99
APVD3 SHAWN MASON	120C99
APVD4	
APVD5	

SUBSTANCES OF CONCERN AND RECYCLED CONTENT PER DELPHI 10949001

MATERIAL: SEE DRAWING

DRAWING NAME: TAXI ASM CONN 100 M MIC/P 100W SLDHEADER

DRAWING NUMBER: **15356798**

SIZE	SCALE	FRAME NO	SHEET NO	STG	REV	N/P
A1	2:1	1 OF 1	2 OF 3	R	08	-