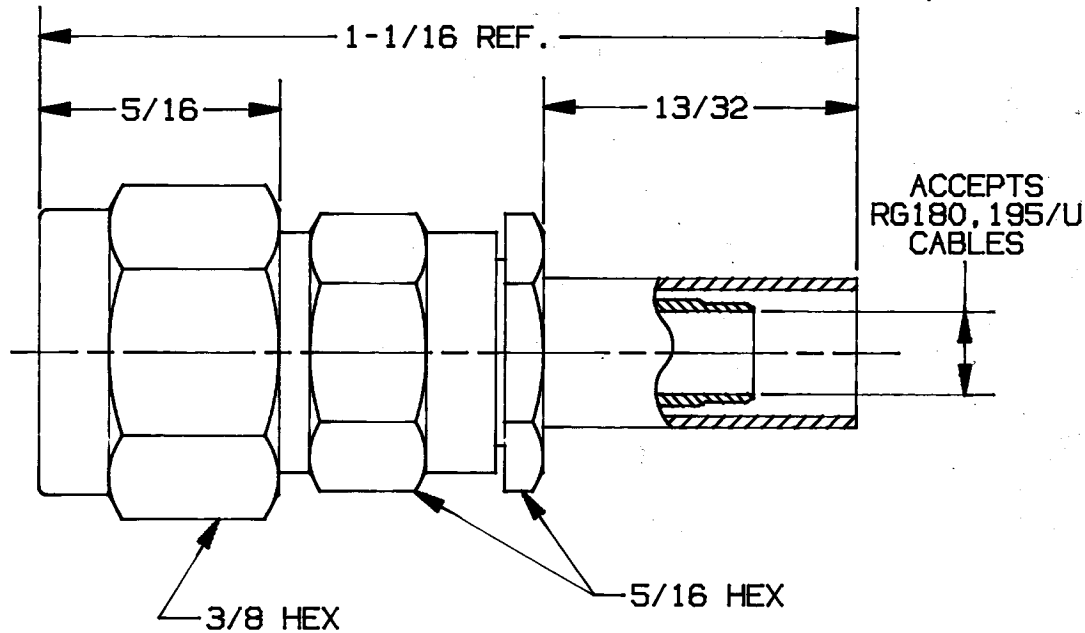


ENG. FILE COPY

CONFIGURATION:



SMC, CRIMP CLAMP 75 OHM PLUG
CONNECTOR TO RG 180, 195/U CABLES

DWG. NO.

2202-7508

ELECTRICAL:

NOMINAL IMPEDANCE (OHMS)	75
FREQUENCY RANGE (GHZ)	N/A
VOLTAGE RATING (MAX. VRMS)	335
VSWR (MAX.)	N/A
INSERTION LOSS (x $\sqrt{F/1}$ = DB MAX.)	N/A
RF LEAKAGE (MIN. DB DOWN)	N/A
RF HIGH POTENTIAL (MAX. VRMS)	670 AT 5 MHz
DIELECTRIC WITHSTANDING VOLT. (MAX. VRMS)	1000
INSULATION RESISTANCE (MIN. MEGOHMS)	1000
CONTACT RESISTANCE:	
CENTER CONTACT (MAX. MILLIOHMS)	6.0
OUTER CONTACT (MAX. MILLIOHMS)	1.0

MECHANICAL:

INTERFACE DIMENSIONS	PER MIL-C-39012/SMC SERIES & S/M MD-144
RECOMMENDED MATING TORQUE	35-50 IN. LBS.
CENTER CONTACT AXIAL FORCES:	
INSERTION (MAX. OUNCES)	40.0
WITHDRAWAL (MIN. OUNCES)	1.0
CONNECTOR DURABILITY (MIN. CYCLES)	500
CONNECTOR ENGAGEMENT & DISENGAGEMENT (MAX. INCH LBS.)	1.0
CENTER CONTACT CAPTIVATION	6 LBS. MIN. AXIAL FORCE

ENVIRONMENTAL:

TEMP. RATING (DEGREES CENTIGRADE)	-65° TO +165°C
VIBRATION (MIL-STD-202, METHOD 204, CONDITION D, 20G'S)	
SHOCK (MIL-STD-202, METHOD 213, COND. I, 100G'S)	
TEMP. CYCLING (MIL-STD-202, METHOD 107, COND. C, -65° TO 200° C)	
MOISTURE RESISTANCE (MIL-STD-202, METHOD 106, LESS STEP 7B)	
BAROMETRIC PRESSURE (ALTITUDE) MIL-STD-202, METHOD 105, COND. C, 70,000 FT., 250 VRMS)	
HERMETICITY	N/A
CABLE ASSEMBLY INSTRUCTIONS PER S/M 300-80-500.	

MATERIAL & FINISH:

BODY, FERRULE & COUPLING NUT: BRASS PER QQ-B-626, 1/2 H, ALLOY 360, GOLD PLATED PER MIL-G-45204, TYPE 1, GRADE C, CLASS 1; OVER COPPER PER MIL-C-14550, CLASS 4.
CONTACT: BERYLLIUM COPPER PER ASTM B196, COND. TD04, ALLOY UNS-C17300, GOLD PLATED PER MIL-G-45204, TYPE 1, GRADE C, CLASS 2; OVER COPPER PER MIL-C-14550, CLASS 4.
LOCK RING: BERYLLIUM COPPER PER ASTM B196, COND. TD04, ALLOY UNS-C17300, GOLD PLATED PER MIL-G-45204, TYPE 1, GRADE C, CLASS 1; OVER COPPER PER MIL-C-14550, CLASS 4.
CRIMP SLEEVE: COPPER PER WW-T-799, TYPE K, FORMA, CLASS 1.
INSULATORS: TEFLON PER ASTM-D1710 & L-P-403, TYPE 1.

SYM.	DESCRIPTION	DATE	APPR.	DRAWN:	APPROVED:
—	REL.F-11895	9/90	RG	D. CARNES	RG
				DATE 9/19/90	DATE 9/19/90

SOLITRON MICROWAVE

1167 BLUE HERON BLVD.
RIVIERA BEACH, FL., 33404

DWG. NO.

2202-7508