




[Back to search results](#)

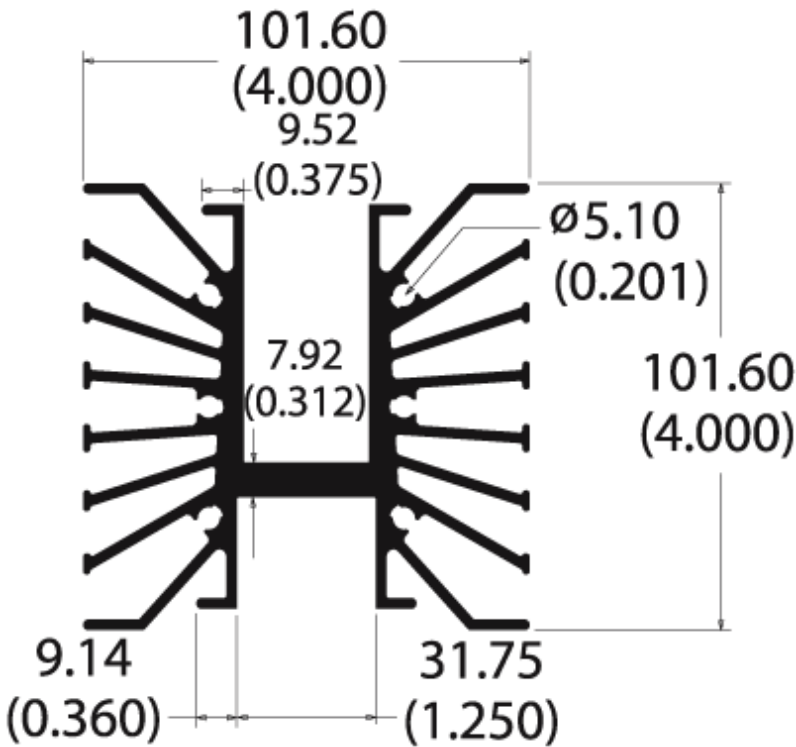
60255

This part is in stock!

Inventory Snapshot:	276 feet*
*Material in stock maybe allocated to other orders and is subject to prior sales	

	Part Number	Thermal Resistance °C/W at 3in length*	Width in	Height in	Surface Area in ² /in	Weight lb/ft	Part Class
	60255	1.09	4.00	4.00	64.1	4.60	C

*Based on a 75°C rise in natural convection



Thermal Curves
based on 3.000 in length

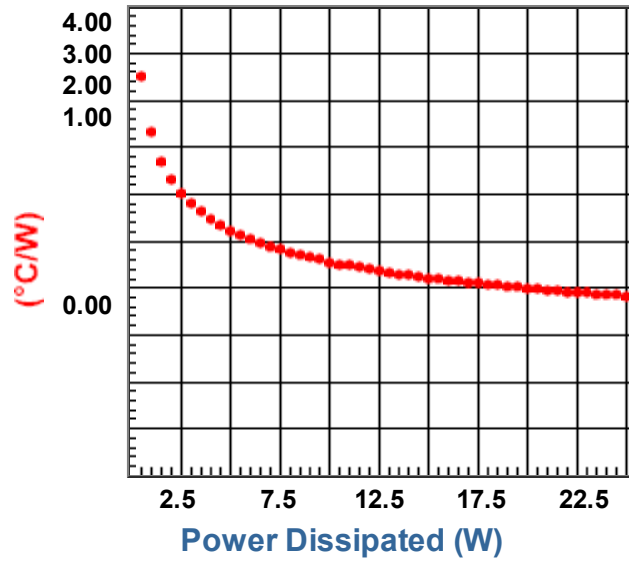
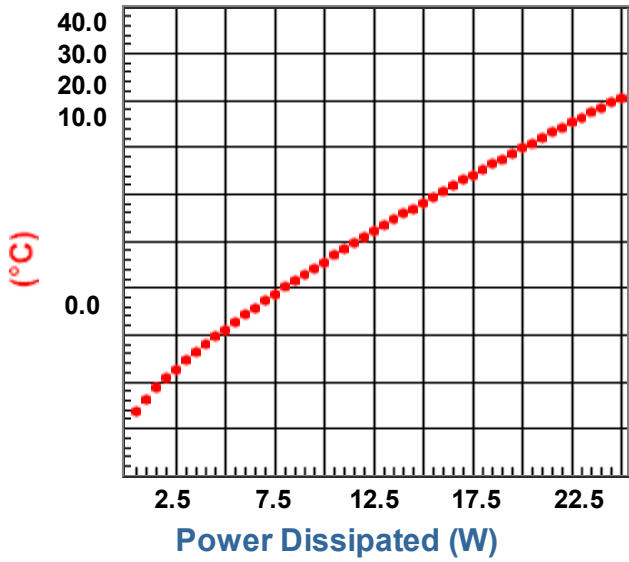
New Length in mm

[Change Length](#)

Natural Convection

Heat Sink Temperature Rise Above Ambient

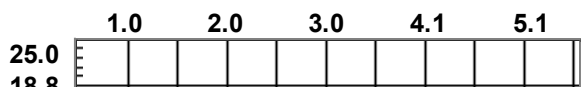
Heat Sink Thermal Resistance



Forced Convection

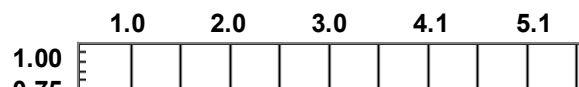
Heat Sink Temperature Rise Above Ambient (25W Dissipated)

Air Flow (m/s)



Heat Sink Thermal Resistance

Air Flow (m/s)



Non-Standard Extrusions

Aavid Thermalloy has over 10,000 extrusion profile designs on file, most with the extrusion die already available. These parts have minimum order requirements and longer lead times, but may be cost effective compared to a new design.

Customizing & Advanced Capabilities

We offer several options for those applications which require a more unique solution. Challenge us with your thermal requirements - we can design custom solutions.

©2012 Aavid Thermalloy, LLC