

# SMD PECL VCXO



- 9.8 x 14.0 x 4.7 6 J-Leads Package
- Wide Frequency Range
- +3.3 VDC or +5.0 VDC Supply
- PECL Output

## ELECTRICAL SPECIFICATION:

Frequency Range	10.000 MHz to 200.000 MHz	
Frequency Stability (Inclusive of Temperature, Load, Voltage and Aging)	(See Part Number Guide for Options)	
Aging	±5 ppm / yr max	
Operating Temperature Range	(See Part Number Guide for Options)	
Storage Temperature Range	-55°C to +125°C	
Supply Voltage (Vdd)	+3.3 VDC ±5%	+5.0 VDC ±5%
Supply Current	60mA	85mA
Control Voltage	+1.65VDC ±1.50VDC	+2.50VDC ±2.00VDC
Logic "0"	1.68V max	3.05 V min 3.40V max
Logic "1"	2.28V min	3.98 V min 4.26V max
Symmetry (50% of waveform)	(See Part Number Guide for Options)	
Load	50 Ohms into Vdd-2.00 VDC	
Rise / Fall Time (20% to 80%)	5nSec max	
Start Time	5mSec max	
Jitter (RMS)	18pSec max	
Linearity	±10% max	
Pullability	(See Part Number Guide for Options)	

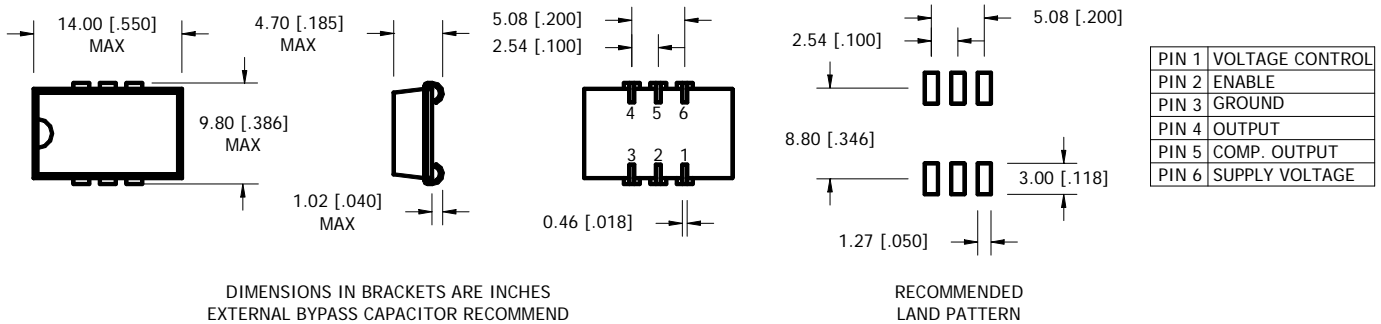
## MARKING:

Line 1: MXX.XXX  
XX.XXX = Frequency in MHz

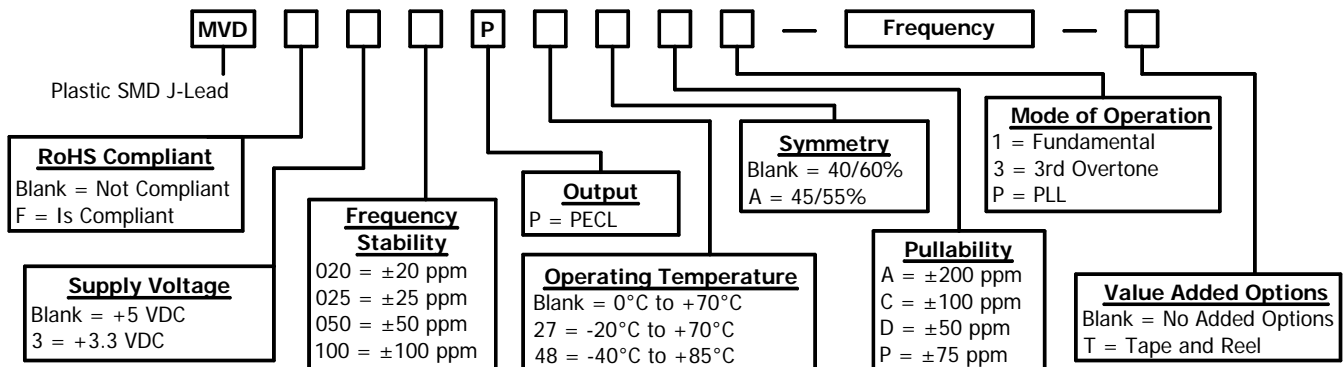
Line 2: SYMMML  
S = Internal Code  
YYMM = Date Code (Year/Month)  
L = Denotes RoHS Compliant

Line 3: T5BRH  
Internal Manufacture Code

## MECHANICAL DETAIL:



## PART NUMBERING GUIDE:



Please Consult with MMD sales department for any other parameters or options.

MMD Components, 30400 Esperanza, Rancho Santa Margarita, CA, 92688  
Phone: (949) 709-5075, Fax: (949) 709-3536, [www.mmdcomp.com](http://www.mmdcomp.com)  
Sales@mmdcomp.com