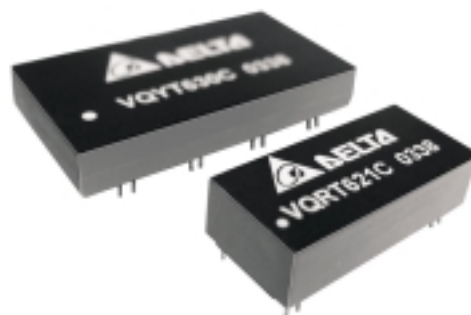


Networking Components

- FILTER MODULES FOR VDSL
- HYBRID TRANSFORMERS FOR VDSL
- MATCHED TO VDSL TECHNOLOGY REQUIREMENT
- VDSL APPLICATION :
 1. PLAN 998 ETSI
 2. PLAN 998 ANSI
 3. PLAN 997 ETSI
 4. PLAN 997 ANSI
 5. CHINESE THREE BAND SOLUTION
 6. CHINESE FOUR BAND SOLUTION
 7. JAPAN_ISDN (G.993.1) SUPPORT FOUR BAND SOLUTION
- INFINEON 4 BAND IC PEF22818/22815



THREE/FOUR BAND COMBINATED AFE SOLUTIONS

Part NO.	Description	APPLICATION	Impedance (ohm)			Form TYPE	IC Supplier
			LINE	TX	RX		
VQRT621C (CPE)	CMC/LINE/HYBRID/TX/2RX/2TX	PLAN 998 ETSI	100	40	270	R	Infineon 4_Band
VQRT622D (CO)	CMC/LINE/HYBRID/TX/2RX/2TX	PLAN 998 ETSI	100	40	270	R	Infineon 4_Band
VQRT623B (CPE)	CMC/LINE/HYBRID/TX/2RX/2TX	PLAN 998 ANSI	100	40	270	R	Infineon 4_Band
VQRT624C (CO)	CMC/LINE/HYBRID/TX/2RX/2TX	PLAN 998 ANSI	100	40	270	R	Infineon 4_Band
VQRT625B (CPE)	CMC/LINE/HYBRID/TX/2RX/2TX	PLAN 997 ETSI	100	40	270	R	Infineon 4_Band
VQRT626B (CO)	CMC/LINE/HYBRID/TX/2RX/2TX	PLAN 997 ETSI	100	40	270	R	Infineon 4_Band
VQRT637B (CPE)	CMC/LINE/HYBRID/TX/2RX/1TX	CHINESE THREE BAND	100	40	270	R	Infineon 4_Band
VQRT638B (CO)	CMC/LINE/HYBRID/TX/1RX/2TX	CHINESE THREE BAND	100	40	270	R	Infineon 4_Band
VQRT639B (CPE)	CMC/LINE/HYBRID/TX/2RX/2TX	CHINESE FOUR BAND	100	40	270	R	Infineon 4_Band POTS Support
VQRT640B (CO)	CMC/LINE/HYBRID/TX/2RX/2TX	CHINESE FOUR BAND	100	40	270	R	Infineon 4_Band POTS Support
VQRT643B (CPE)	CMC/LINE/HYBRID/TX/2RX/1TX	THREE BAND	100	40	270	R	Infineon 4_Band ADSL Support
VQRT644B (CO)	CMC/LINE/HYBRID/TX/1RX/2TX	THREE BAND	100	40	270	R	Infineon 4_Band ADSL Support
VQRT645C (CPE)	CMC/LINE/HYBRID/TX/2RX/2TX	JAPANESE_ISDN FOUR BAND	100	40	270	R	Infineon 4_Band G.993.1
VQXT646C (CO)	CMC/LINE/HYBRID/TX/2RX/2TX	JAPANESE_ISDN FOUR BAND	100	40	270	X	Infineon 4_Band G.993.1

DELTA ELECTRONICS, INC.

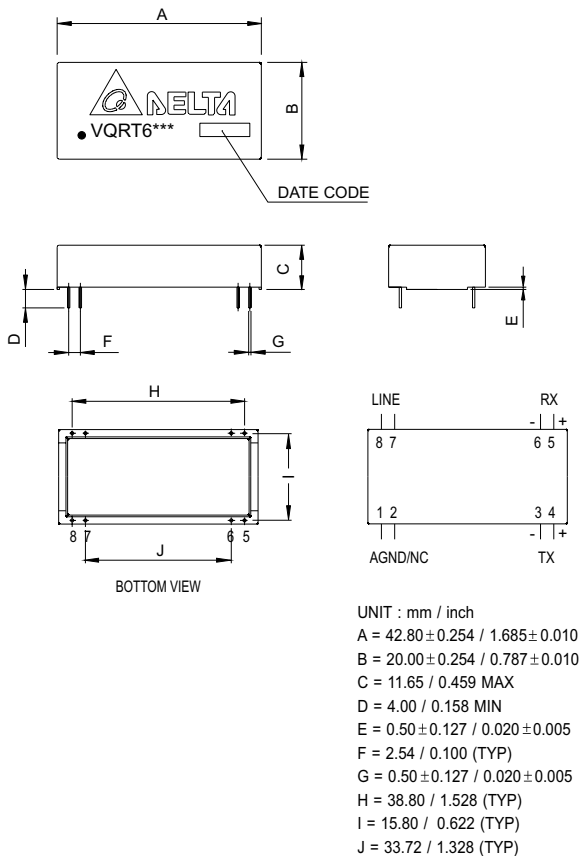
(TAOYUAN PLANT CPBG) 252, SAN YING ROAD, KUEI SAN INDUSTRIAL ZONE, TAOYUAN SHIEN, TAIWAN, R.O.C.

TEL: 886-3-3591968; FAX: 886-3-3591991

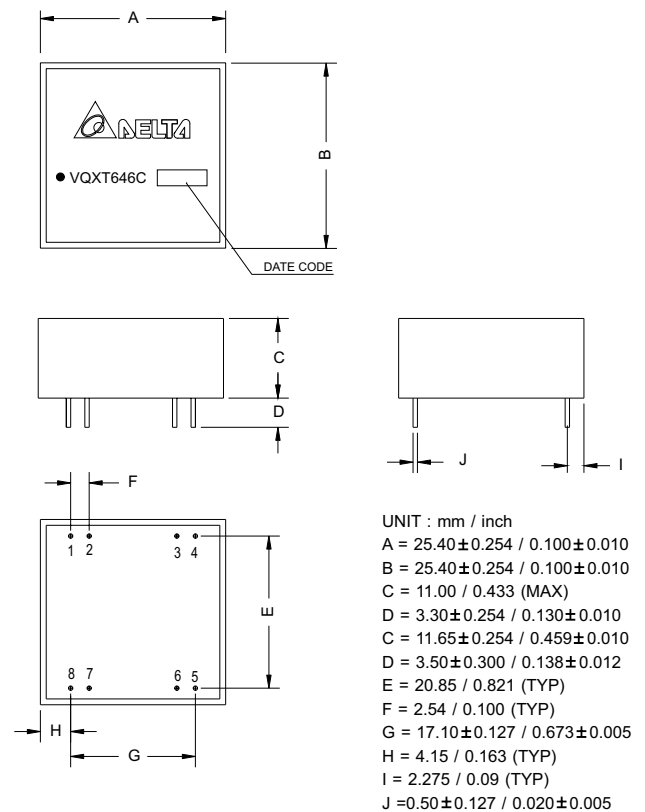
[Http://www.deltaww.com/products/networking](http://www.deltaww.com/products/networking)

MECHANICAL CONSTRUCTION

R TYPE



X TYPE



PIN	ALLOCATION
1	NC
2	NC
3	RX-
4	RX+
5	TX+
6	TX-
7	LINE+
8	LINE-

DELTA ELECTRONICS, INC.

(TAOYUAN PLANT CPBG) 252, SAN YING ROAD, KUEI SAN INDUSTRIAL ZONE, TAOYUAN SHIEN, TAIWAN, R.O.C.
 TEL: 886-3-3591968; FAX: 886-3-3591991
[Http://www.deltaww.com/products/networking](http://www.deltaww.com/products/networking)