

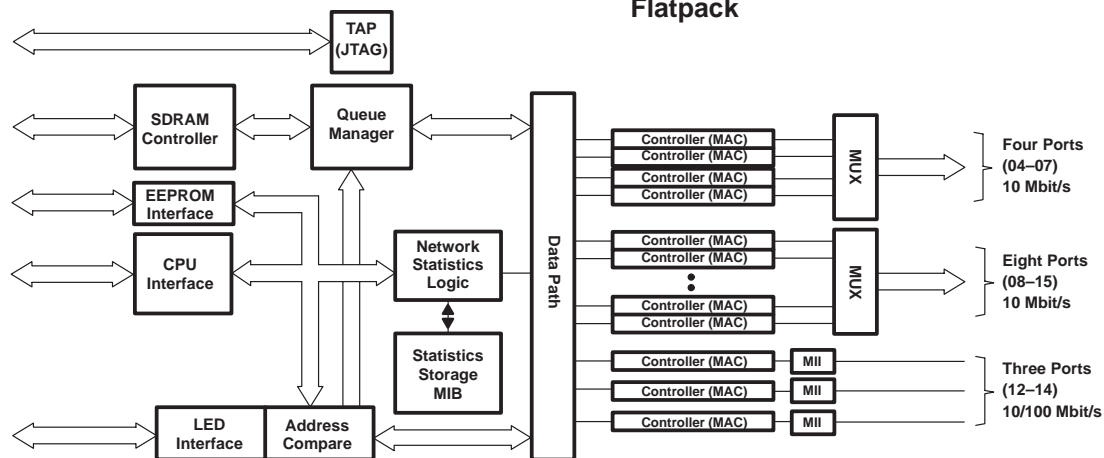
TNETX3151

# ThunderSWITCH™ 12/3 ETHERNET™ SWITCH

## WITH 12 10-MBIT/S PORTS AND 3 10-/100-MBIT/S PORTS

SPWS048A – MARCH 1998 – REVISED APRIL 1999

- **Port Configurations:**
  - Twelve 10-Mbit/s Ports
    - Ports Arranged in One Group of Eight Ports and One Group of Four Ports in a Multiplexed Interface
    - Direct Multiplexer Interface to TNETE2008
    - Full and Half Duplex
    - Half-Duplex Collision-Based Flow Control
    - Full-Duplex IEEE Std 802.3x Flow Control
    - Interoperable Support for IEEE Std 802.1Q VLAN
    - Speed, Duplex, and Pause Autonegotiation With Physical Layer (PHY)
  - Three 10-/100-Mbit/s Ports
    - Direct Interface to TNETE2101
    - Full and Half Duplex
    - Half-Duplex Collision-Based Flow Control
    - Full-Duplex IEEE Std 802.3x Flow Control
    - Interoperable Support for IEEE Std 802.1Q VLAN
    - Pretagging Support
- **Port Trunking and Load Sharing**
- **LED Indication of Port Status**
- **SDRAM Interface**
  - Direct Interface to 8-Bit/Word and 16-Bit/Word, 16-Mbit, and 64-Mbit SDRAMs
- 32-Bit-Wide Data Bus
- Up to 32 Mbytes Supported
- 83.33-MHz SDRAM Clock
- 12-ns (–12) SDRAMs Required
- **Remote Monitoring (RMON) Support – Groups 1, 2, 3, and 9**
- **Direct I/O (DIO) Management Interface**
  - Eight Bits Wide
  - CPU Access to Statistics, Registers, and Management Information Bases (MIBs)
  - Internal Network Management Port
  - Forwards Spanning-Tree Packets to CPU
  - Serial Media-Independent Interface (MII) for PHY Control
- **EEPROM Interface for Autoconfiguration (No CPU Required for Nonmanaged Switch)**
- **Internal Address-Lookup/Frame-Routing Engine**
  - Interoperable Support for IEEE Std 802.1Q VLAN
  - Supports IEEE Std 802.1D Spanning Tree
  - Thirty-Two Assignable Virtual LANs (VLANs)
  - Multiple Forwarding Modes
  - 2K Total Addresses Supported
  - Port Mirroring
- **IEEE Std 1149.1 (JTAG) Interface (3.3-V Signals)**
- **2.5-V Process With 3.3-V-Drive I/O**
- **Packaged in 240-Terminal Plastic Quad Flatpack**



Please be aware that an important notice concerning availability, standard warranty, and use in critical applications of Texas Instruments semiconductor products and disclaimers thereto appears at the end of this data sheet.

TI and ThunderSWITCH are trademarks of Texas Instruments Incorporated.

Ethernet is a trademark of Xerox Corporation.

Secure Fast Switching is a trademark of Cabletron Systems, Inc.

Port-trunking and load-sharing algorithms were contributed by Cabletron Systems, Inc. and are derived from, and compatible with, Secure Fast Switching™.

PRODUCTION DATA information is current as of publication date. Products conform to specifications per the terms of Texas Instruments standard warranty. Production processing does not necessarily include testing of all parameters.



POST OFFICE BOX 655303 • DALLAS, TEXAS 75265

Copyright © 1999, Texas Instruments Incorporated

# TNETX3151

## ThunderSWITCH™ 12/3 ETHERNET™ SWITCH

### WITH 12 10-MBIT/S PORTS AND 3 10-/100-MBIT/S PORTS

SPWS048A – MARCH 1998 – REVISED APRIL 1999

---

#### description

The TNETX3151 provides highly integrated switching solutions that allow network designers to lower overall system costs. Based on Texas Instruments (TI™) ThunderSWITCH™ architecture, the TNETX3151 design integrates 12 full-duplex 10-Mbit/s ports and 3 full-duplex 10-/100-Mbit/s ports, as well as an address-lookup engine, all in a single 240-pin package. All ports on the TNETX3151 are designed to support multiple addresses, cut-through or store-and-forward modes of operation, and VLAN. The 10-/100-Mbit/s ports have media-independent interface (MII)-compatible interfaces and can be configured to work as MII uplinks to high-speed switching fabrics. All three of the 10-/100-Mbit/s ports can be logically combined into a single high-performance uplink channel that can be used to provide up to 600-Mbit/s switch-to-switch connections.

The TNETX3151 incorporates an internal content-addressable memory (CAM) capable of supporting 2,048 end stations from a single switch. In addition, the device supports 32 user-configurable VLAN-broadcast domains (IEEE Std 802.1Q), which allows IEEE Std 802.1P priority support interoperability, IEEE Std 802.3X full-duplex flow control, and a collision-based flow-control scheme. The TNETX3151 also integrates an EEPROM interface that allows the device to be initialized and configured without the added expense of a CPU. All of these features on chip greatly reduce the number of external components required to build a switch.

The internal address-lookup engine (IALE) supports up to 2K unicast/multicast and broadcast addresses and up to 32 IEEE Std 802.1Q VLANs. For interoperability, each port can be programmed as an access port or non-access port to recognize VLAN tags and transmit frames with VLAN tags to other systems that support VLAN tagging. The IALE performs destination- and source-address comparisons and forwards unknown source- and destination-address packets to ports specified via programmable masks.

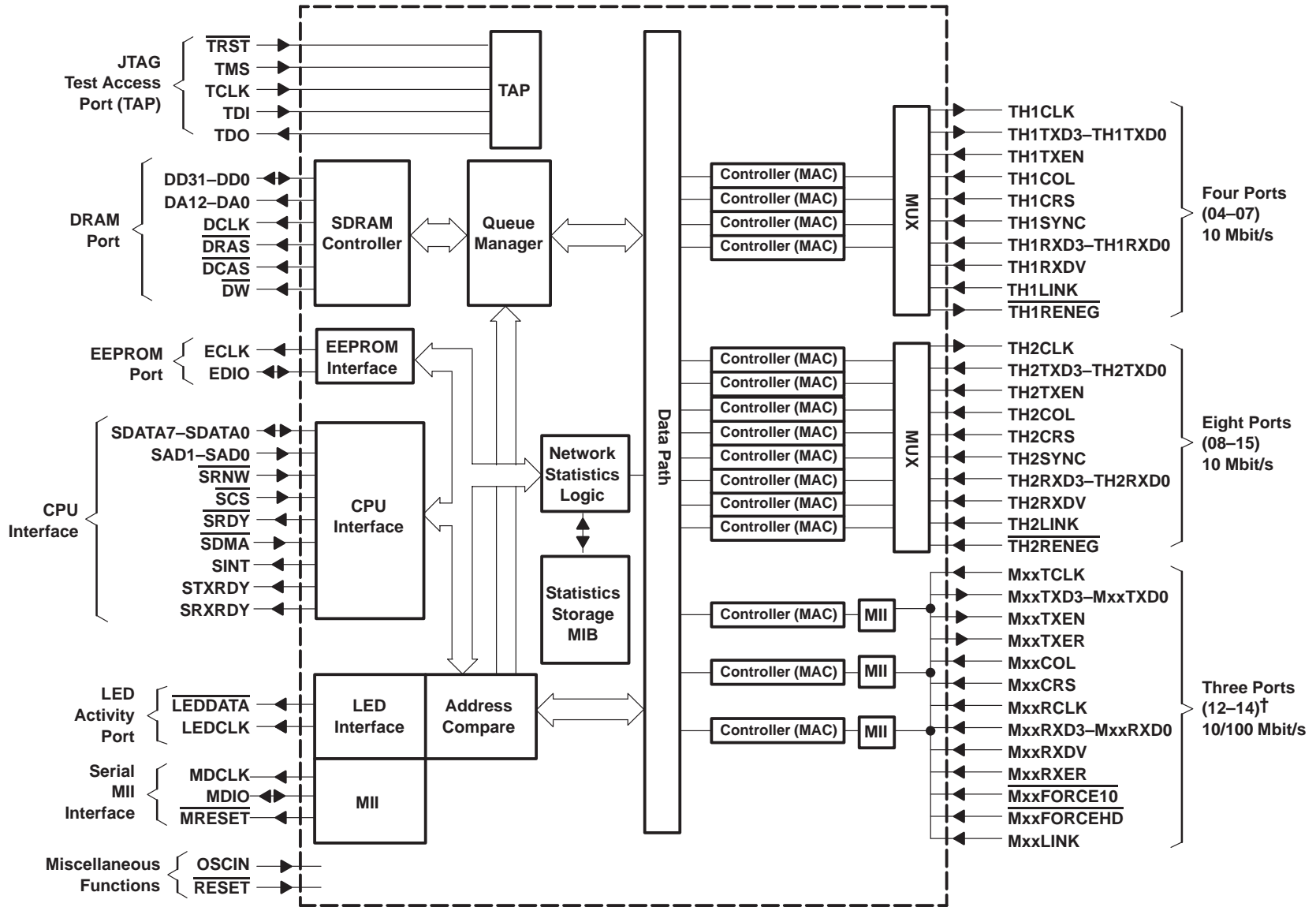


POST OFFICE BOX 655303 • DALLAS, TEXAS 75265

**Contents**

<b>Description</b> .....	<b>2</b>	SDRAM Interface .....	<b>35</b>
<b>PGV Package Terminal Layout</b> .....	<b>4</b>	SDRAM-Type and Quantity Indication .....	<b>37</b>
<b>TNETX3151 Interface Block Diagram</b> .....	<b>5</b>	Initialization .....	<b>37</b>
<b>Terminal Functions</b> .....	<b>6</b>	Refresh .....	<b>37</b>
<b>DIO Register Groups</b> .....	<b>13</b>	<b>Frame Routing</b> .....	<b>38</b>
<b>Interface Description</b> .....	<b>18</b>	VLAN Support .....	<b>38</b>
DIO Interface .....	18	IEEE Std 802.1Q Headers – Reception .....	39
Receiving/Transmitting Management Frames .....	18	IEEE Std 802.1Q Headers – Transmission .....	39
State of DIO Signals During Hardware Reset .....	18	Address Maintenance .....	39
Network Management Port .....	19	Spanning-Tree Support .....	40
MII Serial Management Interface (PHY Management) ...	22	Aging Algorithms .....	40
10-Mbit/s and 10-/100-Mbit/s MAC Interface .....	22	Frame-Routing Determination .....	40
Receive Control .....	22	Port Mirroring .....	43
Giant (Long) Frames .....	22	Port Trunking/Load Sharing .....	44
Short Frames .....	22	Flow Control .....	44
Receive Filtering of Frames .....	23	Collision-Based Flow Control .....	45
Data Transmission .....	23	IEEE Std 802.3 Flow Control .....	45
Transmit Control .....	23	Internal Wrap Test .....	47
Adaptive Performance Optimization		Duplex Wrap Test .....	48
(APO) (Transmit Pacing) .....	23	Port Mirroring .....	49
Interframe Gap Enforcement .....	23	Copy to Uplink .....	49
Backoff .....	23	<b>Absolute Maximum Ratings</b> .....	<b>50</b>
Receive Versus Transmit Priority .....	24	<b>Recommended Operating Conditions</b> .....	<b>50</b>
Uplink Pretagging .....	24	<b>Electrical Characteristics</b> .....	<b>50</b>
EEPROM Interface .....	26	<b>Parameter Measurement Information</b> .....	<b>51</b>
Interaction of EEPROM Load With the SIO Register ..	27	Test Measurement .....	51
Summary of EEPROM Load Outcomes .....	27	<b>10-Mbit/s Interface (Ports 04–15)</b> .....	<b>52</b>
Compatibility With Future Device Revisions .....	27	<b>10-/100-Mbit/s MAC Interface</b> .....	<b>53</b>
JTAG Interface .....	28	<b>SDRAM Interface</b> .....	<b>55</b>
HIGHZ instruction .....	28	<b>DIO/DMA Interface</b> .....	<b>57</b>
LED Interface .....	28	<b>Serial MII Management Interface</b> .....	<b>59</b>
Lamp Test .....	29	<b>EEPROM Interface</b> .....	<b>60</b>
Multi-LED Display .....	29	<b>LED Interface</b> .....	<b>61</b>
<b>Hardware Configurations</b> .....	<b>29</b>	<b>Power-Up OSCIN and RESET</b> .....	<b>62</b>
10-Mbit/s MAC Interfaces (Ports 04–15) .....	29	<b>Mechanical Data</b> .....	<b>63</b>
10-/100-Mbit/s MAC Interfaces (Ports 12–14) .....	33		
10-/100-Mbit/s Port Configuration .....	33		
10-/100-Mbit/s Port Configuration			
in a Nonmanaged Switch .....	34		
10-/100-Mbit/s Port Configuration			
in a Managed Switch .....	35		





† xx is the port number that is being monitored.

Figure 1. TNETX3151 Interface Block Diagram

**TNETX3151**  
**ThunderSwitch™ 12/3 ETHERNET™ SWITCH**  
**WITH 12 10-MBIT/S PORTS AND 3 10-/100-MBIT/S PORTS**  
SPW/S048A - MARCH 1998 - REVISED APRIL 1999

**TNETX3151**  
**ThunderSWITCH™ 12/3 ETHERNET™ SWITCH**  
**WITH 12 10-MBIT/S PORTS AND 3 10-/100-MBIT/S PORTS**

SPWS048A – MARCH 1998 – REVISED APRIL 1999

**Terminal Functions**

**10-Mbit/s MAC multiplexed interface (ports 04–15) is multiplexed into one group of eight ports (TH2) and one group of four ports (TH1)†**

TERMINAL NAME	NO.	I/O	INTERNAL RESISTOR‡	DESCRIPTION
TH1CLK TH2CLK	2 23	I	Pullup	Interface clock. Four ports are supported by TH1CLK and eight ports are supported by TH2CLK, using a common 20-MHz clock.
TH1COL TH2COL	3 24	I	Pulldown	Interface collision sense. Assertion of THxCOL during half-duplex operation indicates network collision on the current port. Additionally, during full-duplex operation, transmission of new frames does not start if this terminal is asserted.
TH1CRS TH2CRS	5 25	I	Pulldown	Interface carrier sense. THxCRS indicates a frame carrier signal is being received on a current port.
TH1LINK TH2LINK	13 32	I	Pulldown	Interface link presence. THxLINK indicates the presence of the connection on a port. – Low = no link – High = link good
<u>TH1RENEG</u> <u>TH2RENEG</u>	233 15	O	None	Interface renegotiate. A 1-0-1 sequence output on <u>THxRENEG</u> causes flow control and half/full duplex for a port to be renegotiated with its companion physical-layer (PHY) device. These <u>THxRENEG</u> terminals connect to IFFORCEHD on TNETE2008.
TH1RXD3 TH1RXD2 TH1RXD1 TH1RXD0  TH2RXD3 TH2RXD2 TH2RXD1 TH2RXD0	11 10 9 7  30 29 28 27	I	Pullup	Interface receive data. The receive data nibble from the current port is synchronous to THxCLK. When the THxRXDV signal is 1, the receive data terminals contain valid information. THxRXD0 is the least significant bit and THxRXD3 is the most significant bit. These signals also are used to report the channel state to the MAC.
TH1TXEN TH2TXEN	240 21	O	None	Interface transmit enable. THxTXEN indicates valid transmit data on THxTXD.
TH1SYNC TH2SYNC	1 22	I	Pullup	Interface synchronize. THxSYNC is used to synchronize the port traffic between the media-access controller (MAC) and PHY. When THxSYNC is a 1, the current MAC-to-PHY path is the multiplexer interface TH0, and the PHY-to-MAC path is the multiplexer interface TH2. THxSYNC is sampled by the MAC on the falling edge of THxCLK.
TH1TXD3 TH1TXD2 TH1TXD1 TH1TXD0  TH2TXD3 TH2TXD2 TH2TXD1 TH2TXD0	239 237 236 234  20 19 18 16	O	None	Interface transmit data. The transmit data nibble for the current port is synchronous to THxCLK. When THxTXEN is asserted, these signals carry data. THxTXD3–THxTXD0 are used during renegotiation to convey flow-control and duplex configuration requests to the PHY. THxTXD0 is the least significant bit and THxTXD3 is the most significant bit.
TH1RXDV TH2RXDV	6 26	I	Pulldown	Interface receive data valid. When THxRXDV is a 1, it indicates that the THxRXD lines contain valid data.

† THx = TH1 and TH2

‡ Internal resistors are provided to pull signals to known values. System designers should determine if additional pullups or pulldowns are required in their system.



**Terminal Functions (Continued)**

**10-/100-Mbit/s MAC interface (ports 12–14)†**

TERMINAL NAME	NO.	I/O	INTERNAL RESISTOR	DESCRIPTION
M12COL M13COL M14COL	42 65 90	I	Pulldown	Collision sense. Assertion of MxxCOL in half-duplex signal indicates a network collision on that port. In full-duplex operation, transmission of new frames does not start if this terminal is asserted.
M12CRS M13CRS M14CRS	43 66 92	I	Pulldown	Carrier sense. MxxCRS indicates a frame carrier signal is being received.
<u>M12FORCE10</u> <u>M13FORCE10</u> <u>M14FORCE10</u>	54 80 104	I/O‡	Pullup	Speed selection (force 10 Mbit/s is active low) – If pulled low by either the TNETX3270 or a PHY, the port operates at 10 Mbit/s. – If not pulled low by either the TNETX3270 or a PHY, the internal pullup resistor holds this signal high and the port operates at 100 Mbit/s. An external 4.7-kΩ pullup resistor connected to V <sub>DD</sub> (3.3V) may be required, depending on the system layout.
M12LINK M13LINK M14LINK	52 78 102	I	Pulldown	Connection status. MxxLINK indicates the presence of a port connection. – If MxxLINK = 0, there is no link. – If MxxLINK = 1, the link is good.
<u>M12FORCEHD</u> <u>M13FORCEHD</u> <u>M14FORCEHD</u>	53 79 103	I/O‡	Pullup	Duplex selection (force half duplex is active low) – If pulled low by either the TNETX3270 or the PHY, the port operates at half duplex. – If not pulled low by either the TNETX3270 or the PHY, the internal pullup resistor holds this signal high and the port operates at full duplex. An external 4.7-kΩ pullup resistor connected to V <sub>DD</sub> (3.3V) may be required, depending on the system layout.
M12RCLK M13RCLK M14RCLK	44 67 93	I	Pullup	Receive clock. Receive clock source from the attached PHY or physical medium interface (PMI) device.
M12RXD3 M12RXD2 M12RXD1 M12RXD0  M13RXD3 M13RXD2 M13RXD1 M13RXD0  M14RXD3 M14RXD2 M14RXD1 M14RXD0	49 48 47 46  73 71 70 69  98 97 96 95	I	Pullup	Receive data (nibble receive data from the attached PHY or PMI device). Data on these signals is synchronous to MxxRCLK. MxxRXD0 is the least significant bit and MxxRXD3 is the most significant bit.
M12RXDV M13RXDV M14RXDV	50 75 99	I	Pulldown	Receive data valid. When high, MxxRXDV indicates valid data is present on the MxxRXD3–MxxRXD0 lines.
M12RXER M13RXER M14RXER	51 76 101	I	Pulldown	Receive error. When high, MxxRXER indicates a coding error on received data.
M12TCLK M13TCLK M14TCLK	33 56 82	I	Pullup	Transmit clock. Transmit clock source from the attached PHY or PMI device.

† xx = ports 12, 13, and 14

‡ Not a true bidirectional terminal. It can only be actively pulled down (open drain).

**TNETX3151**  
**ThunderSWITCH™ 12/3 ETHERNET™ SWITCH**  
**WITH 12 10-MBIT/S PORTS AND 3 10-/100-MBIT/S PORTS**  
 SPWS048A – MARCH 1998 – REVISED APRIL 1999

**Terminal Functions (Continued)**

**10-/100-Mbit/s MAC interface (ports 12–14) (continued)†**

TERMINAL NAME	NO.	I/O	INTERNAL RESISTOR	DESCRIPTION	
M12TXD3 M12TXD2 M12TXD1 M12TXD0	38 37 36 35			Transmit data (nibble transmit data). When MxxTXEN is asserted, these signals carry transmit data. Data on these signals is synchronous to MxxTCLK. MxxTXD0 is the least significant bit and MxxTXD3 is the most significant bit.	
M13TXD3 M13TXD2 M13TXD1 M13TXD0	61 60 59 57	O	None		
M14TXD3 M14TXD2 M14TXD1 M14TXD0	86 85 84 83				
M12TXEN M13TXEN M14TXEN	39 62 87	O	None		Transmit enable. MxxTXEN indicates valid transmit data on MxxTXD3–MxxTXD0.
M12TXER M13TXER M14TXER	41 63 89	O	None		Transmit error. MxxTXER allows coding errors to be propagated across the MII. MxxTXER is taken high when an under-run in the transmit FIFO for port xx occurs and causes fill data to be transmitted (MxxTXER is low otherwise). MxxTXER is asserted at the end of an under-running frame, enabling the device to force a coding error.

† xx = ports 12, 13, and 14



**Terminal Functions (Continued)**

**SDRAM interface**

TERMINAL NAME	NO.	I/O	INTERNAL RESISTOR	DESCRIPTION
DA13 DA12 DA11 DA10 DA09 DA08 DA07 DA06 DA05 DA04 DA03 DA02 DA01 DA00	212 210 209 207 206 205 204 203 202 200 199 198 196 195	O	None	SDRAM address bus (time-multiplexed bank, row, and column address). The address bus DA13–DA00 also provides the SDRAM mode register initialization value. DA13 is the most significant bit and DA00 is the least significant bit.
$\overline{\text{DCAS}}$	189	O	None	SDRAM column address strobe. $\overline{\text{DCAS}}$ , in conjunction with $\overline{\text{DRAS}}$ and $\overline{\text{DW}}$ , determines the SDRAM commands.
DCLK	193	O	None	SDRAM clock (83.33-MHz clock to the SDRAMs). SDRAM commands, addresses, and data are sampled by the SDRAM on the rising edge of this clock.
DD31 DD30 DD29 DD28 DD27 DD26 DD25 DD24 DD23 DD22 DD21 DD20 DD19 DD18 DD17 DD16 DD15 DD14 DD13 DD12 DD11 DD10 DD09 DD08 DD07 DD06 DD05 DD04 DD03 DD02 DD01 DD00	187 186 185 183 182 181 180 179 177 176 174 173 172 171 170 168 167 166 164 162 161 159 158 157 156 155 153 152 150 149 147 146	I/O	Pullup	SDRAM data bus (bidirectional bus used to carry SDRAM data). DD31–DD00 also output status information to indicate buffer operation type and port number. Internal pullup resistors are provided. DD31 is the most significant bit and the DD00 is the least significant bit.
$\overline{\text{DRAS}}$	190	O	None	SDRAM row address strobe. $\overline{\text{DRAS}}$ , with $\overline{\text{DCAS}}$ and $\overline{\text{DW}}$ , supplies the SDRAM commands.
$\overline{\text{DW}}$	191	O	None	SDRAM write select. $\overline{\text{DW}}$ , with $\overline{\text{DRAS}}$ and $\overline{\text{DCAS}}$ , supplies the SDRAM commands.

**TNETX3151**  
**ThunderSWITCH™ 12/3 ETHERNET™ SWITCH**  
**WITH 12 10-MBIT/S PORTS AND 3 10-/100-MBIT/S PORTS**  
 SPWS048A – MARCH 1998 – REVISED APRIL 1999

**Terminal Functions (Continued)**

**host DIO interface**

TERMINAL NAME	NO.	I/O	INTERNAL RESISTOR	DESCRIPTION
SAD1 SAD0	143 142	I	Pullup	DIO address bus. SAD1 and SAD0 select the internal host registers, when $\overline{\text{SDMA}}$ is high.
$\overline{\text{SCS}}$	138	I	Pullup	DIO chip select. When low, $\overline{\text{SCS}}$ indicates a DIO port access is valid.
$\overline{\text{SDMA}}$	123	I	Pullup	DIO DMA select. When low, $\overline{\text{SDMA}}$ modifies the behavior of the DIO interface to allow it to operate with an external DMA controller. The SAD0 and SAD1 terminals are not used to select the internal host register for the access. Instead, the DIO address to access is provided by the DMAaddress register, and one of two host register addresses is selected according to the DMAinc bit in the Syscontrol register. – If DMAinc = 1, accesses are the DIOdatainc register and DMAaddress register increments after each access. – If DMAinc = 0, accesses are the DIOdata register, and DMAaddress register does not increment after each address.
SDATA7 SDATA6 SDATA5 SDATA4 SDATA3 SDATA2 SDATA1 SDATA0	136 135 133 131 130 129 127 126	I/O	Pullup	DIO data interface bus (byte-wide bidirectional DIO port). SDATA7 is the most significant bit and SDATA0 is the least significant bit.
SINT	140	O	None	DIO interrupt line (interrupt to the attached microprocessor). The interrupt originating event is stored in the Int register.
$\overline{\text{SRDY}}$	139	O	Pullup	DIO ready signal – When low during reads, $\overline{\text{SRDY}}$ indicates to the host when data is valid to be read. – When low during writes, $\overline{\text{SRDY}}$ indicates when data has been received. After $\overline{\text{SCS}}$ is taken high, $\overline{\text{SRDY}}$ is driven high for one clock cycle before placing the output in high impedance.
$\overline{\text{SRNW}}$	125	I	Pullup	DIO read not write – When high, read operation is selected. – When low, write operation is selected.
SRXRDY	145	O	None	Network management port, receive ready. When high, SRXRDY indicates that the network management port's RX buffers are empty and the network management port is able to receive a frame.
STXRDY	144	O	None	Network management port, transmit ready. STXRDY indicates that at least one frame buffer is available to be read by the management CPU. – It outputs as a 1 if any of the end-of-frame (eof) bits, start-of-frame (sof) bits, or one of the bits in NMTxcontrol is set to 1. – Otherwise, it outputs 0.



### Terminal Functions (Continued)

#### serial MII management PHY interface

TERMINAL NAME	NO.	I/O	INTERNAL RESISTOR	DESCRIPTION
MDCLK	121	O/High Z	Pullup	Serial MII management data clock. MDCLK can be disabled (high impedance) through the use of the SIO register.
MDIO	120	I/O	Pullup	Serial MII management data I/O. MDIO can be disabled, placed in high Z, through the SIO register. An external 4.7-kΩ pullup resistor, connected to V <sub>DD</sub> (3.3V), is needed to meet the rise-time requirements.
$\overline{\text{MRESET}}$	119	O/High Z	Pullup	Serial MII management reset. $\overline{\text{MRESET}}$ can be disabled (high impedance) through the use of the SIO register. If connected to a PHY device, an external pullup resistor is recommended.

#### EEPROM interface

TERMINAL NAME	NO.	I/O	INTERNAL RESISTOR	DESCRIPTION
ECLK	117	O	None	EEPROM data clock.
EDIO	116	I/O	Pullup	EEPROM data I/O. An external pulldown resistor may be required for proper operation. Since this terminal has an internal pullup, it can be left unconnected if no EEPROM is present. The EEPROM is optional if a management CPU is present.

#### LED interface

TERMINAL NAME	NO.	I/O	INTERNAL RESISTOR	DESCRIPTION
LEDCLK	113	O	None	LED clock (serial shift clock for the LED status data)
$\overline{\text{LEDDATA}}$	114	O	None	LED data (serial LED status data). $\overline{\text{LEDDATA}}$ is active low. All LED information (port link, activity status, software status, flow status, and fault status) is sent via this serial interface.

#### JTAG interface

TERMINAL NAME	NO.	I/O	INTERNAL RESISTOR	DESCRIPTION
TCLK	106	I	Pullup	Test clock. TCLK is used to clock state information, test instructions, and test data into and out of the device during operation of the test port.
TDI	110	I	Pullup	Test data input. TDI is used to serially shift test data and test instructions into the device during operation of the test port. An internal pullup resistor is provided on TDI to ensure JTAG compliance.
TDO	108	O	None	Test data output. TDO is used to serially shift test data and test instructions out of the device during operation of the test port.
$\overline{\text{TRST}}$	111	I	Pullup	Test reset. $\overline{\text{TRST}}$ is used for asynchronous reset of the test-port controller. An internal pullup resistor is provided to ensure JTAG compliance. If the test port is not used, an external pulldown resistor of 10 kΩ may be used to disable the test-port controller.
TMS	107	I	Pullup	Test mode select. TMS is used to control the state of the test-port controller. An internal pullup resistor is provided on TMS to ensure JTAG compliance.

**TNETX3151**  
**ThunderSWITCH™ 12/3 ETHERNET™ SWITCH**  
**WITH 12 10-MBIT/S PORTS AND 3 10-/100-MBIT/S PORTS**

SPWS048A – MARCH 1998 – REVISED APRIL 1999

**Terminal Functions (Continued)**

**miscellaneous**

NAME	TERMINAL NO.	I/O	INTERNAL RESISTOR	DESCRIPTION
OSCIN	112	I	None	Master system clock input (83.33-MHz input clock)
$\overline{\text{RESET}}$	115	I	None	Reset. $\overline{\text{RESET}}$ is synchronous and, therefore, the system clock must be operational during reset.
NC	213, 215, 216, 217, 218, 219, 221, 222, 223, 224, 226, 227, 228, 230, 231, 232		Pullup/ Pulldown	No connect. All NCs have internal pullups or pulldowns so they can be left open.

**power interface**

NAME	TERMINAL NO.	INTERNAL RESISTOR	DESCRIPTION
GND	8, 14, 34, 40, 55, 68, 74, 81, 88, 94, 100, 128, 134, 141, 148, 154, 160, 175, 188, 194, 201, 208, 214, 220, 235	None	Ground. GND is the 0-V reference for the device. All GND terminals must be connected.
V <sub>DD</sub> (3.3V)	12, 72, 109, 122, 132, 163, 169, 192, 229	None	3.3-V supply voltage. Power for the input, output, and I/O terminals.
V <sub>DD</sub> (2.5V)	4, 17, 31, 45, 58, 64, 77, 91, 105, 118, 124, 137, 151, 165, 178, 184, 197, 211, 225, 238	None	2.5-V supply voltage. Power for the core.

**summary of signal terminals by signal group function**

PORT DESCRIPTION	NUMBER OF SIGNALS	MULTIPLIER	TOTAL
LED	2	1	2
10-Mbit/s port	16	2	32
10-/100-Mbit/s port	19	3	57
DIO	17	1	17
EEPROM interface	2	1	2
DRAM interface	50	1	50
Miscellaneous	2	1	2
JTAG	5	1	5
Serial MII management	3	1	3
Total signals			170
<b>SUMMARY</b>			
Assigned terminals			170
V <sub>DD</sub> (3.3V)			9
V <sub>DD</sub> (2.5V)			20
GND			25
NC			16
Total terminals			240



**DIO register groups**

**Table 1. Internal Register and Statistics Memory Map**

REGISTERS	LOADABLE USING 24C02 EEPROM?	LOADABLE USING 24C08 EEPROM?	DIO ADDRESS RANGE
Port configuration	Yes	Yes	0x0000:0x002F
Spanning tree	Yes	Yes	0x0030:0x007F
Trunking	Yes	Yes	0x0080:0x0088
VLAN	No	Yes	0x0089:0x03FF
Port status	No	No	0x0400:0x043F
Address configuration	No	No	0x0440:0x08FF
Port statistics	No	No	0x0900:0xFFFF

**TNETX3151**  
**ThunderSWITCH™ 12/3 ETHERNET™ SWITCH**  
**WITH 12 10-MBIT/S PORTS AND 3 10-/100-MBIT/S PORTS**

SPWS048A – MARCH 1998 – REVISED APRIL 1999

**Table 2. Detailed DIO Register Map**

BYTE 3	BYTE 2	BYTE 1	BYTE 0	DIO ADDRESS
Reserved				0x0000:0x0017
Port01control		Port00control		0x0018
Port03control		Port02control		0x001C
Port05control		Port04control		0x0020
Port07control		Port06control		0x0024
Port09control		Port08control		0x0028
Port11control		Port10control		0x002C
Port13control		Port12control		0x0030
Reserved		Port14control		0x0034
Reserved		Reserved		0x0038:0x003F
Reserved	UnkVLANport	Mirrorport	Uplinkport	0x0040
Reserved		Aging threshold		0x0044
Reserved				0x0048:0x004F
Nlearnports				0x0050
Txblockports				0x0054
Rxuniblockports				0x0058
Rxmultiblockports				0x005C
Unkuniports				0x0060
Unkmultiports				0x0064
Unksrcports				0x0068
UnkVLANintports				0x006C
Reserved				0x0070:0x007F
Trunkmap3	Trunkmap2	Trunkmap1	Trunkmap0	0x0080
Trunkmap7	Trunkmap6	Trunkmap5	Trunkmap4	0x0084
Reserved			Trunkports	0x0088
Reserved				0x008C:0x009F
Devcode	Reserved	SIO	Revision	0x00A0
Reserved				0x00A4:0x00DF
RAMsize	Reserved	IOBcontrol		0x00E0
Reserved				0x00E4
Pausetime100		Pausetime10		0x00E8
Reserved				0x00EC
Reserved	Flowthreshold			0x00F0
Reserved		LEDcontrol		0x00F4
Syscontrol		Statcontrol		0x00F8
Reserved (for EEPROM CRC)				0x00FC
VLAN0ports				0x0100
VLAN1ports				0x0104
VLAN2ports				0x0108
VLAN3ports				0x010C
VLAN4ports				0x0110
VLAN5ports				0x0114



**Table 2. Detailed DIO Register Map (Continued)**

BYTE 3	BYTE 2	BYTE 1	BYTE 0	DIO ADDRESS
			VLAN6ports	0x0118
			VLAN7ports	0x011C
			VLAN8ports	0x0120
			VLAN9ports	0x0124
			VLAN10ports	0x0128
			VLAN11ports	0x012C
			VLAN12ports	0x0130
			VLAN13ports	0x0134
			VLAN14ports	0x0138
			VLAN15ports	0x013C
			VLAN16ports	0x0140
			VLAN17ports	0x0144
			VLAN18ports	0x0148
			VLAN19ports	0x014C
			VLAN20ports	0x0150
			VLAN21ports	0x0154
			VLAN22ports	0x0158
			VLAN23ports	0x015C
			VLAN24ports	0x0160
			VLAN25ports	0x0164
			VLAN26ports	0x0168
			VLAN27ports	0x016C
			VLAN28ports	0x0170
			VLAN29ports	0x0174
			VLAN30ports	0x0178
			VLAN31ports	0x017C
			Reserved	0x0180:0x02FF
	VLAN1QID		VLAN0QID	0x0300
	VLAN3QID		VLAN2QID	0x0304
	VLAN5QID		VLAN4QID	0x0308
	VLAN7QID		VLAN6QID	0x030C
	VLAN9QID		VLAN8QID	0x0310
	VLAN11QID		VLAN10QID	0x0314
	VLAN13QID		VLAN12QID	0x0318
	VLAN15QID		VLAN14QID	0x031C
	VLAN17QID		VLAN16QID	0x0320
	VLAN19QID		VLAN18QID	0x0324
	VLAN21QID		VLAN20QID	0x0328
	VLAN23QID		VLAN22QID	0x032C
	VLAN25QID		VLAN24QID	0x0330
	VLAN27QID		VLAN26QID	0x0334
	VLAN29QID		VLAN28QID	0x0338
	VLAN31QID		VLAN30QID	0x033C

**TNETX3151**  
**ThunderSWITCH™ 12/3 ETHERNET™ SWITCH**  
**WITH 12 10-MBIT/S PORTS AND 3 10-/100-MBIT/S PORTS**

SPWS048A – MARCH 1998 – REVISED APRIL 1999

**Table 2. Detailed DIO Register Map (Continued)**

BYTE 3	BYTE 2	BYTE 1	BYTE 0	DIO ADDRESS
Reserved				0x0340:0x0397
Port01Qtag		Port00Qtag		0x0398
Port03Qtag		Port02Qtag		0x039C
Port05Qtag		Port04Qtag		0x03A0
Port07Qtag		Port06Qtag		0x03A4
Port09Qtag		Port08Qtag		0x03A8
Port11Qtag		Port10Qtag		0x03AC
Port13Qtag		Port12Qtag		0x03B0
Reserved		Port14Qtag		0x03B4
Reserved				0x03B8:0x0417
Port01status		Port00status		0x0418
Port03status		Port02status		0x041C
Port05status		Port04status		0x0420
Port07status		Port06status		0x0424
Port09status		Port08status		0x0428
Port11status		Port10status		0x042C
Port13status		Port12status		0x0430
Reserved		Port14status		0x0434
Reserved				0x0438:0x043F
Findnode<23–16>	Findnode<31–24>	Findnode<39–32>	Findnode<47–40>	0x0440
FindVLAN	Findcontrol	Findnode<7–0>	Findnode<15–8>	0x0444
Findport				0x0448
Newnode<23–16>	Newnode<31–24>	Newnode<39–32>	Newnode<47–40>	0x044C
Reserved		Newnode<7–0>	Newnode<15–8>	0x0450
NewVLAN		Newport		0x0454
Addnode<23–16>	Addnode<31–24>	Addnode<39–32>	Addnode<47–40>	0x0458
AddVLAN	Adddelcontrol	Addnode<7–0>	Addnode<15–8>	0x045C
Addport				0x0460
Agednode<23–16>	Agednode<31–24>	Agednode<39–32>	Agednode<47–40>	0x0464
AgedVLAN	Agedport	Agednode<7–0>	Agednode<15–8>	0x0468
Delnode<23–16>	Delnode<31–24>	Delnode<39–32>	Delnode<47–40>	0x046C
DelVLAN	Delport	Delnode<7–0>	Delnode<15–8>	0x0470
Agingcounter		Numnodes		0x0474
Reserved				0x0478:0x07FF
Reserved		DMAaddress		0x0800
Reserved	Int			0x0804
Reserved	Intenable			0x0808
Systest	Freestacklength			0x080C
RAMaddress				0x0810
Reserved			RAMdata	0x0814
Reserved		NMRxcontrol		0x0818
Reserved	NMTxcontrol			0x081C



**Table 2. Detailed DIO Register Map (Continued)**

BYTE 3	BYTE 2	BYTE 1	BYTE 0	DIO ADDRESS
Reserved			NMdata	0x0820
Reserved				0x0824:0x3FFF
TNETX3151 reset: reinitializes the TNETX3151				0x4000:0x5FFF
Reserved				0x6000:0x7FFF
Port and network management port statistics				0x8000:8DFF
Reserved				0x8E00:8FFF
TX pause, RX pause, and security-violation counters				0x9000:0x91BF
Reserved				0x91C0:0x9FFF
Unknown unicast destination addresses				0xA000
Unknown multicast destination addresses				0xA004
Unknown source address				0XA008
Reserved				0xA00C:0xFFFF

**TNETX3151**  
**ThunderSWITCH™ 12/3 ETHERNET™ SWITCH**  
**WITH 12 10-MBIT/S PORTS AND 3 10-/100-MBIT/S PORTS**

SPWS048A – MARCH 1998 – REVISED APRIL 1999

**interface description**

**DIO interface**

The DIO interface is a general-purpose interface that can be used with a wide range of microprocessor or computer systems. The interface supports external DMA controllers.

This interface can be used to configure the TNETX3151 using an optional attached CPU (or EEPROM), and to access statistics registers. In addition, this allows access to an internal network management (NM) port that can be transferred between the CPU and the TNETX3151 to support spanning tree, SNMP, and RMON. Either the CPU can read and write packets directly under software control or an external DMA controller can be used to improve performance.

When accessing the statistics values from the DIO port, it is necessary to perform four 1-byte DIO reads to obtain the full 32-bit counter. Counters always should be read in ascending byte-address order (0, 1, 2, 3). To prevent the counter being updated while reading the four bytes, the entire 32-bit counter value is transferred to a holding register when byte 0 is read.

**receiving/transmitting management frames**

Frames originating within the host are written to the NM port via the NMRxcontrol and NMdata registers. Once a frame has been fully written, it is then received by the switch and routed to the destination port(s).

Frames that were routed to this port from any of the switch ports are placed in a queue until the host is ready to read them via the NMTxcontrol and NMdata registers. They then are effectively transmitted out of the switch.

$\overline{\text{SDMA}}$  can be used to transmit or receive management frames (the SAD1–SAD0 pins are ignored when  $\overline{\text{SDMA}}$  is asserted) (see Table 3). When  $\overline{\text{SDMA}}$  is asserted, the switch uses the value in the DMAaddress register instead of the DIO address registers to access frame data (this also can be used to access the switch statistics). STXRDY and SRXRDY, the interrupts, freebuffs, eof, sof, and iof mechanisms can be used, as desired, to prevent unwanted stalls on the DIO bus during busy periods.

**Table 3. DMA Interface Signals**

SIGNAL	DESCRIPTION
$\overline{\text{SDMA}}$	Automatically sets up DIO address using the DMAaddress register
STXRDY	Indicates that at least one data frame buffer can be read by the management CPU
SRXRDY	Indicates that the management CPU can write a frame of any size up to 1535 bytes

**state of DIO signals during hardware reset**

The CPU can perform a hardware reset by writing to an address in the range 0x4000–0x5FFF (writes to a DMA address in this range have no effect on reset). This is equivalent to asserting the hardware  $\overline{\text{RESET}}$  pin. During hardware reset, the output and bidirectional DIO pins behave as shown in Table 4.

**Table 4. DIO Interface During Hardware Reset**

DIO INTERFACE SIGNAL	STATE DURING HARDWARE RESET
SDATA7–SDATA0	High impedance. Resistively pulled up.
$\overline{\text{SRDY}}$	High impedance. Resistively pulled up.
SRXRDY	Driven high
STXRDY	Driven low



### **network management port**

Frames can be received or transmitted via the DIO interface using a built-in port, the network management (NM) port.

Frames originating within the host are written to this port via the NMRxcontrol and NMdata registers. Once a frame has been fully written, it is then received by the switch and routed to the destination port(s).

Frames that were routed to this port from any of the switch's ports queue until the host is ready to read them via the NMTxcontrol and NMdata registers. They are then effectively transmitted out of the switch.

### **IEEE Std 802.1Q VLAN headers on the NM port**

Frames received from the host via the NM port are required to contain a valid IEEE Std 802.1Q header. Frames that do not contain a valid header are incorrectly routed. They may be corrupted at the transmission port(s), as the header-stripping process does not verify that the four bytes after the source address are actually a valid header because they always are a valid header under all other circumstances.

When a frame is transmitted to the NM port, no header-stripping occurs, so the frame contains one, or possibly two headers, depending on how the frame was originally received.

### **full-duplex NM port**

The NM port can intermix reception and transmission as desired. The direction of the NMdata access (i.e., read or write) determines whether a byte is removed from the transmit queue or added to the receive queue. The DIO interface is half duplex since it can do only a read or write at one time.

### **NM bandwidth and priority**

The NM port is capable of transferring a byte to or from NMdata once every five cycles, so the burst rate of this port approximates eight bits per 60 ns (or  $\approx 133$  Mbit/s). This can be sustained between the DIO port and the NM port's dedicated transmit or receive buffers.

However, the NM port is prioritized lower than the other ports between its receive and transmit buffers and the external memory system so that at periods of high activity, the NM port does not cause frames to be dropped on the other ports. STXRDY and SRXRDY, the interrupts and freebuffs, eof, sof, and interior-of-frame iof mechanisms can be used as desired to prevent unwanted stalls on the DIO bus during busy periods.

The burst rate is unaffected by traffic on other ports.

### **interrupt processing**

There are two interrupts available on the NM port.

The interrupt process uses RXRDY and the nmrx interrupts to indicate when the receive FIFO is empty. This indicates that the NM port is ready to accept a frame of any length (up to 1536 bytes).

If the host needs to download a sequence of frames, it can use the freebuffs field to indicate space availability.

# TNETX3151

## ThunderSWITCH™ 12/3 ETHERNET™ SWITCH

### WITH 12 10-MBIT/S PORTS AND 3 10-/100-MBIT/S PORTS

SPWS048A – MARCH 1998 – REVISED APRIL 1999

---

#### frame format on the NM port

The frame format on the NM port differs slightly from a standard Ethernet frame format. The key differences are: the frame always contains an IEEE Std 802.1Q header in the four bytes following the source address (see Figure 2). The TPID (tag protocol identifier or ethertype) field, however, is used in the switch for other purposes, so a frame transmitted out of the switch on the NM port does not have the IEEE Std 802.1Q TPID of 81–00 (ethertype constant) value in these two bytes.

The first TPID byte output contains:

- The frame source port number in the least significant bits. This allows the frame source port number to be carried within the frame, which is useful for processing BPDUs, for example.
- A cyclic redundancy check (CRC) type indicator (crctype) in the most significant bit (bit 7).
  - If crctype = 1, then the CRC word in the frame excludes the IEEE Std 802.1Q header.
  - If crctype = 0, then the CRC word in the frame includes the IEEE Std 802.1Q header. This CRC word is for a regular IEEE Std 802.1Q frame format with the value in the IEEE Std 802.1Q TPID of 81–00 (ethertype constant) in the TPID field. Because the internal frame format uses the TPID field for other purposes in the manner being described, it is necessary to insert the IEEE Std 802.1Q TPID of 81–00 (ethertype constant) value into the TPID field if the frame needs to be restored to a normal IEEE Std 802.1Q frame format, which passes a CRC check.

To provide a CRC word, which includes the header, the NM port generates a new CRC word as the frame is being read out. It simultaneously checks the existing CRC in the frame and, if an error is found, ensures that the final byte of the newly generated CRC is corrupted to contain an error, too. The CRC word is deliberately corrupted if the header parity protection (described in the following) indicates an error in the header. In either case, the pfe bit also is set to 1 after the final byte of the frame has been read from NMdata.

If the frame was received on a port other than the NM port, then the crctype bit is set if an IEEE Std 802.1Q tag header was inserted into the frame during ingress.

- If crctype = 1, a header was inserted.
- If crctype = 0, a header was not inserted (crctype also is 0 if the frame VLAN ID was 0x000 and was replaced by the port VLANID (PVID) from the PortxQtag register).

In an IEEE Std 802.1D-compliant application, the header simply can be removed from the frame to produce a headerless frame with a correct CRC word.

- All other bits in the byte are reserved and are 0.

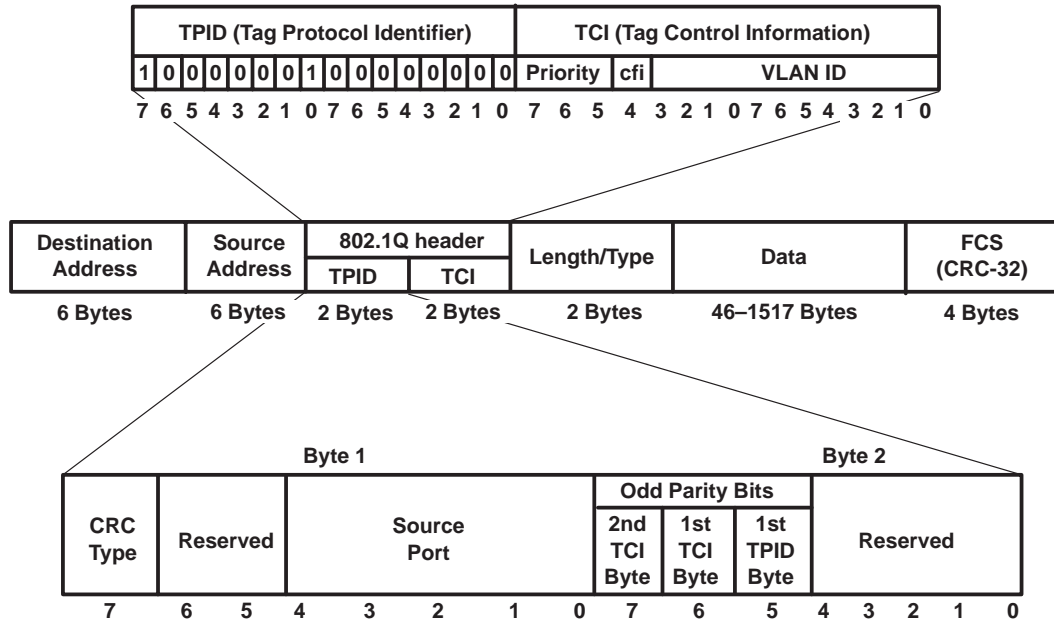
The second TPID byte output contains:

- Odd-parity protection bits for the other three bytes in the tag header
- Bit 5 protects the first byte of the TPID field (i.e., the one containing crctype and source port number).
- Bit 6 protects the first byte of the VLAN ID field.
- Bit 7 protects the second byte of the VLAN ID field.
- All other bits in the byte are reserved and are 0.



POST OFFICE BOX 655303 • DALLAS, TEXAS 75265

frame format on the NM port (continued)



**Figure 2. NM Frame Format**

Any device reading frames out of the NM port must expect frames to be in the format shown in Figure 2.

Frames received into the switch on the NM port also must conform to this format, with the following caveats:

- `crc = 0` in `NMRxcontrol`

When the host provides a frame containing valid CRC it also must provide in the TPID field valid header parity protection and indicate via the `crctype` bit which type of CRC the frame contains [i.e., including the header (`crctype = 0`), or excluding the header (`crctype = 1`)]. If `crctype` indicates that the header is included, as for NM port transmissions, this pretends that IEEE Std 802.1Q TPID of 81-00 (ethertype constant) is present in the TPID field. If a CRC error or parity error is detected, the frame is discarded.

When `crctype` indicates that the header is included, the NM port regenerates CRC to exclude the header during the reception process (this converts the frame into the required internal frame format).

- `crc = 1` in `NMRxcontrol`

If the switch is asked to generate a CRC word for the frame, the values in the TPID field are ignored by the NM port. The switch inserts header parity protection. It replaces the final four bytes of the frame with the calculated CRC (the values in the final four bytes provided are don't care).

In either case, the NM port inserts its own port number into the source port field in the least significant bits of the first TPID byte, sets the `crctype` bit to 0, and also sets the reserved bits to 0.

Frames received from the host via the NM port must contain a valid IEEE Std 802.1Q VLAN ID in the third and fourth bytes, following the source address (the NM port does not have a `PortxQtag` register for inserting a VLAN tag if none is provided and does not have an `rxacc` bit). Frames that do not contain a VLAN tag are incorrectly routed. They also can be corrupted at the transmission port(s). The header-stripping process does not verify that the two bytes after the source address are a valid IEEE Std 802.1Q TPID because there is a valid header under all other circumstances.

# TNETX3151

## ThunderSWITCH™ 12/3 ETHERNET™ SWITCH

### WITH 12 10-MBIT/S PORTS AND 3 10-/100-MBIT/S PORTS

SPWS048A – MARCH 1998 – REVISED APRIL 1999

---

#### frame format on the NM port (continued)

When a frame is transmitted on the NM port, no header stripping occurs (again because the NM port does not have a PortxQtag register or txacc bit), so the frame read by the host software contains one header (or possibly more, depending on how the frame was received).

In either case, the NM port inserts its own port number into the source port field in the least significant bits of the first TPID byte and sets the reserved bits to 0. Frames received from the host via the NM port are required to contain a valid IEEE Std 802.1Q VLAN ID (VID) in the third and fourth bytes following the source address. (The NM port does not have a default VLAN ID register for inserting a VLAN tag if none is provided. It cannot also be configured as an access port.) Frames that do not contain a valid tag are incorrectly routed. They also can be corrupted at the transmission port(s), as the tag-stripping process does not verify that the four bytes after the source address are a valid tag because they are valid tags under all other circumstances.

When a frame is transmitted on (read from) the NM port, no tag stripping occurs (because the NM port does not have the default VLAN ID register or access configuration control), so the frame read by the host software can contain one or more header tags, depending on how the frame was received.

#### MII serial management interface (PHY management)

This interface gives the user an easy way to implement a software-controlled bit serial MII.

MII devices that implement the management interface, consisting of MDIO and MDCLK, can be accessed in this way through the SIO register. The direction of MDIO is controlled by the SIO register. In addition, a third signal, MRESET, is provided to allow hardware reset of PHYs that support it.

All three signals have internal pullup resistors, since they all can be placed into high impedance via the MDIOEN bit of the SIO register, to allow another bus master.

The interface does not implement timing or data structure. The timing and frame format must be ensured by the management software setting the bits within the SIO register in an appropriate manner. Refer to IEEE Std 802.2u and MII data sheets for the appropriate protocol requirements.

#### 10-Mbit/s and 10-/100-Mbit/s MAC interface

##### *receive control*

Data received from the PHYs is interpreted and assembled into the TNETX3151 buffer memory. Interpretation involves detection and removal of the preamble, extraction of the address and frame length, extraction of the IEEE Std 802.1Q header (if present), and data handling and CRC. A jabber-detection timer also is included to detect frames that exceed maximum length being received on the network.

##### *giant (long) frames*

The maxlen bit within each port's Portxcontrol register controls the maximum received frame size on that port.

- If maxlen = 0, the maximum received frame length is 1535 bytes if no VLAN header is inserted, or 1531 bytes if a VLAN header is inserted. (When stored within the switch, a frame never can be longer than 1535 bytes).
- If maxlen = 1, the maximum received frame length is 1518 bytes, as specified by the IEEE Std 802.3. This is the maximum length on the wire. If a VLAN header is inserted into a 1518-byte frame within the MAC, the frame is stored as a 1522-byte frame within the switch.

All received frames longer than the maximum size are discarded by the switch.

The long option bit in StatControl indicates how the statistics for long frames should be recorded.

##### *short frames*

All received frames shorter than 64 bytes are discarded upon reception and are not stored in memory or transmitted.



### ***receive filtering of frames***

Received frames that contain an error (e.g., CRC, alignment, jabber, etc.) are discarded before transmission and the relevant statistics counter is updated.

### ***data transmission***

The MAC takes data from the TNETX3151 internal buffer memory and passes it to the PHY. The data also is synchronized to the transmit clock rate.

A CRC block ensures that the outgoing frame has not been corrupted within the switch by verifying that it still has a valid CRC as the frame is being transmitted. If a CRC error is detected, it is counted in the transmit data errors counter.

### ***transmit control***

The frame control block handles the output of data to the PHYs. Several error states are handled. If a collision is detected, the state machine jams the output. If the collision was late (after the first 64-byte buffer has been transmitted), the frame is lost. If it is an early collision, the controller backs off before retrying. While operating in full duplex, both carrier-sense (CRS) mode and collision-sensing modes are disabled (the switch does not start transmitting a new frame if collision is active in full-duplex mode).

Internally, frame data only is removed from buffer memory once it has been successfully transmitted without collision (for the half-duplex ports). Transmission recovery also is handled in this state machine. If a collision is detected, frame recovery and retransmission are initiated.

### ***adaptive performance optimization (APO) (transmit pacing)***

Each Ethernet MAC incorporates APO logic. This can be enabled on an individual port basis. When enabled, the MAC uses transmission pacing to enhance performance (when connected on networks using other transmit pacing-capable MACs). Adaptive performance pacing introduces delays into the normal transmission of frames, delaying transmission attempts between stations, reducing the probability of collisions occurring during heavy traffic (as indicated by frame deferrals and collisions), thereby, increasing the chance of successful transmission.

When a frame is deferred, suffers a single collision, multiple collisions, or excessive collisions, the pacing counter is loaded with an initial value of 31. When a frame is transmitted successfully (without a deferral, single collision, multiple collision, or excessive collision), the pacing counter is decremented by 1, down to 0.

With pacing enabled, a new frame is permitted to immediately [after one inter-packet gap (IPG)] attempt transmission only if the pacing counter is 0. If the pacing counter is not 0, the frame is delayed by the pacing delay (a delay of approximately four interframe gap delays).

#### **NOTE:**

APO affects only the IPG preceding the first attempt at transmitting a frame. It does not affect the backoff algorithm for retransmitted frames. APO should be used only with other endstations that also support APO.

### ***interframe gap enforcement***

The measurement reference for the interpacket gap of 96-bit times is changed, depending on frame traffic conditions. If a frame is transmitted successfully (without collision), 96-bit times is measured from MxxTXEN. If the frame suffered a collision, 96-bit times is measured from MxxCRS.

### ***backoff***

The device implements the IEEE Std 802.3 binary exponential backoff algorithm.

# TNETX3151 ThunderSWITCH™ 12/3 ETHERNET™ SWITCH WITH 12 10-MBIT/S PORTS AND 3 10-/100-MBIT/S PORTS

SPWS048A – MARCH 1998 – REVISED APRIL 1999

## receive versus transmit priority

The queue manager prioritizes receive and transmit traffic as follows:

- Highest priority is given to frames that currently are being transmitted. This ensures that transmitting frames do not underrun.
- Next priority is given to frames that are received if the free-buffer stack is not empty. This ensures that received frames are not dropped unless it is impossible to receive them.
- Lowest priority is given to frames that are queued for transmission but have not yet started to transmit. These frames are promoted to the highest priority only when there is spare capacity on the memory bus.
- The NM port receives the lowest priority to prevent frame loss during busy periods.

The memory bus has enough bandwidth to support the two highest priorities. The untransmitted frame queues grow when frames received on different ports require transmission on the same port(s) and when frames are repeatedly received on ports that are at a higher speed than the ports on which they are transmitted. This is likely to be exacerbated by the reception of multicast frames, which typically require transmission on several ports. When the backlog grows to such an extent that the free buffer stack is nearly empty, flow control is initiated (if it has been enabled) to limit further frame reception.

## uplink pretagging

TNETX3151 can be incorporated into a switch where routing decisions can be made at a higher level. To facilitate this, two forms of tags are provided on ports 12–14;

- Source-port pretag on transmission
- Port-routing-code pretag on reception

## source-port pretag on transmission

Ports 12–14 provide the frame's source-port-number pretag one cycle before MxxTXEN goes high (this tag is ignored by an externally connected PHY). The 5-bit tag appears as an encoding on terminals MxxTXER and MxxTXD3 to MxxTXD0 (most significant bit to least significant bit). This is shown in Figure 3 and Table 5.

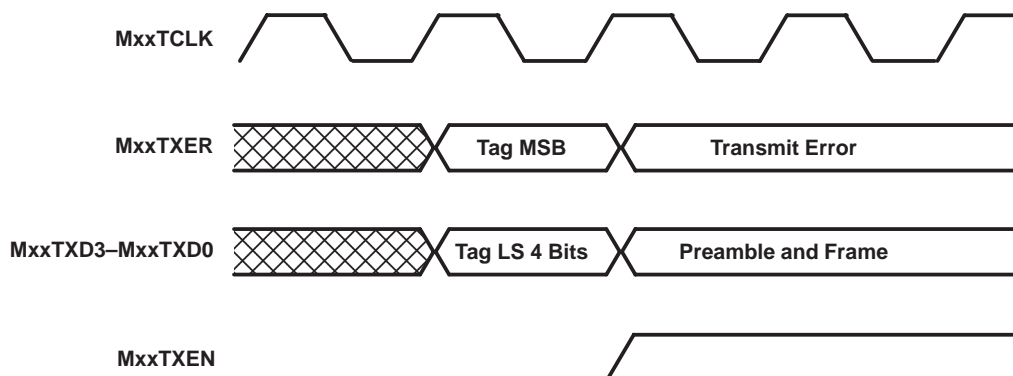


Figure 3. Source-Port Pretag

**Table 5. Source-Port Pretag Encoding**

MxxTXER	MxxTXD3– MxxTXD0	SOURCE PORT
0	0000	Not defined
0	0001	Not defined
0	0010	Not defined
0	0011	Not defined
0	0100	Not defined
0	0101	Not defined
0	0110	Not defined
0	0111	Not defined
0	1000	00
0	1001	01
0	1010	02
0	1011	03
0	1100	04
0	1101	05
0	1110	06
0	1111	07
1	0000	08
1	0001	09
1	0010	10
1	0011	11
1	0100	Not defined
1	0101	Not defined
1	0110	Not defined
1	0111	Not defined
1	1000	12
1	1001	13
1	1010	14
1	1011	Port 27 (NM port)
1	11xx	Reserved

# TNETX3151 ThunderSWITCH™ 12/3 ETHERNET™ SWITCH WITH 12 10-MBIT/S PORTS AND 3 10-/100-MBIT/S PORTS

SPWS048A – MARCH 1998 – REVISED APRIL 1999

## EEPROM interface

The EEPROM interface is provided so the system-level manufacturer can produce a CPU-less, preconfigured system to their customers. Customers also may want to change or reconfigure their system and retain their preferences between system power downs. The device cannot be used without either an EEPROM or CPU connected to it (see Figure 4).

The EEPROM contains configuration and initialization information that are accessed infrequently, typically at power up and after a reset. The organization of the EEPROM data is in accordance with the DIO address map.

EEPROM downloads can be initiated in one of two ways:

- At the end of hard reset (rising edge on  $\overline{\text{RESET}}$ , or completion of a DIO write to DIOaddrhi register that changes the value of the three most significant bits from 010 to another value).
- Writing a 1 to load in Syscontrol register. This bit is cleared automatically when the download completes. It cannot be set during the download by the EEPROM data, thereby preventing a download loop.

During the download, no DIO writes are permitted. If a DIO write is attempted,  $\overline{\text{SRDY}}$  is held high until the download has completed.

The EEPROM size is detected automatically according to the address assigned to the EEPROM:

- 2048 bits organized as a  $256 \times 8$  EEPROM should have its A0, A1, and A2 pins tied low.
- 8192 bits organized as a  $1024 \times 8$  EEPROM should have its A0 and A1 pins tied low and A2 pin tied high.

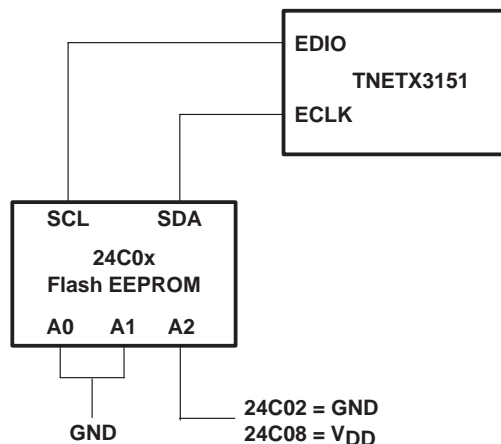


Figure 4. EEPROM Interface Connections

After the initial start condition, a slave address containing a device address of 000 is output on EDIO, and then EDIO is observed for an acknowledge from the EEPROM. If an acknowledge is received, operation continues for the 24C02 EEPROM. If none is received, a stop condition is generated, followed by another start condition and slave address, this time containing a device address of 100. If this receives no acknowledge, no EEPROM is present, and device operation continues, using the current register settings (i.e., those following a hardware reset, or those previously entered by software).

When this device is driving EDIO, it drives out only a strong logic 0. When a logic 1 is intended to be driven out, the pin must be resistively pulled high. An on-chip 50- $\mu\text{A}$  current-source pullup device is provided on this pin. The system designer must decide if this is sufficient to achieve a logic-1 level in a timely manner or if an external supplementary resistor is required.

**EEPROM interface (continued)**

Multiple bus masters are not supported on the EEPROM interface because the ECLK pin always is driven by the device with a strong 0/strong 1 (i.e., not a strong 1/resistively pulled-up 1).

An Ethernet CRC check is used to ensure the EEPROM data is valid. The 4-byte CRC should be placed within the EEPROM in four data bytes immediately following the last byte to be loaded (equivalent to locations 0x00FC–0x00FF, just above Syscontrol). As each byte is loaded from the EEPROM, the bits within that byte are entered into the CRC checker bit-wise, most significant bit first.

A valid CRC always must be provided by the EEPROM. The EEPROM data for the most significant bit of Syscontrol is withheld until the CRC computed by the device has been checked against the one read from the EEPROM. If the CRC is invalid:

- The reset bit is set to 1 in Syscontrol, load and initd are both 0, and the TNETX3151 does not begin operation.
- The fault LED is illuminated and remains in that state until the TNETX3151 is hardware reset or until load in Syscontrol is set to 1.

**interaction of EEPROM load with the SIO register**

The EDIO pin is shared with the SIO register edata bit. The edata and etxen bits must not both be set to 1 when the load bit is set or the EDIO pin is held at resistive 1 and the EEPROM load fails.

The value of the eclk bit in SIO is don't care when load is set, but to ensure the EEPROM does not see a glitch on its clock signal, the load bit should not be set until the minimum clock high or low time required by the EEPROM on its clock signal has expired since the eclk bit was last changed.

The SIO register is not loaded during the EEPROM download.

**summary of EEPROM load outcomes**

Table 6 summarizes the various states of register bits and the fault LED for each possible outcome, following an EEPROM load attempt.

**Table 6. Summary of EEPROM Load Outcomes**

OUTCOME	STOP	LOAD	INITD†	FAULT LED	ECLK
Successful load	0	0	1	0‡	Not locked
No EEPROM present	0	0	0	0‡	Locked
CRC error detected	1	0	0	1	Not locked

† Assuming the start bit was set to 1 by the EEPROM load

‡ Assuming the fault bit in LEDControl = 0 and no memory system parity error is detected

**compatibility with future device revisions**

All EEPROM locations that correspond to reserved addresses in the memory map, register bits that are read only, and register bits that are marked as reserved should be set to 0 to ensure compatibility with future versions of the device. Failure to do so may result in the unintentional activation of features in future devices. All such bits are included in the CRC calculation.

# TNETX3151

## ThunderSWITCH™ 12/3 ETHERNET™ SWITCH

### WITH 12 10-MBIT/S PORTS AND 3 10-/100-MBIT/S PORTS

SPWS048A – MARCH 1998 – REVISED APRIL 1999

#### JTAG interface

The TNETX3151 is fully IEEE Std 1149.1 compliant. It also includes on-chip pullup resistors on the five JTAG terminals to eliminate the need for external ones. All JTAG inputs and outputs are 3.3-V tolerant.

The following instructions are supported:

- EXTEST, BYPASS, and SAMPLE/PRELOAD
- HIGHZ and IDCODE
- Private (various private instructions are used by TI for test purposes)

The opcodes for the various instructions (6-bit instruction register) are shown in Table 7.

**Table 7. JTAG Instruction Opcodes**

INSTRUCTION TYPE	INSTRUCTION NAME	JTAG OPCODE
Mandatory	EXTEST	000000
Mandatory	SAMPLE/PRELOAD	000001
Optional	IDCODE	000100
Optional	HIGHZ	000101
Optional	RACBIST	000110
Private	TI testing	Others
Mandatory	BYPASS	111111

#### HIGHZ instruction

When selected, the HIGHZ instruction causes all outputs and bidirectional pins to become high impedance. All pullup and pulldown resistors are disabled.

#### LED interface

This interface allows a visual status for each port to be displayed. In addition, the states of the internal flow control and fault functions are displayed along with 12 software-controllable LEDs.

Each port has a single LED, which can convey three states (see Table 8).

**Table 8. LED States**

STATE	DISPLAY
No link	Off
Link, but no activity	On
Activity (bits moving)	Flashing at 8 Hz

The interface is intended for use with external octal shift registers clocked with LEDCLK. Every 16th of a second, all the status bits are shifted out via LEDDATA.

The status bits are shifted out in one of two possible orders, as determined by slast in LEDControl, to ensure that systems that do not require all the LED status can be implemented with the minimum number of octal shift registers (see Table 9).

- If slast = 0, the software-controlled status bits are shifted out before the port status bits.
- If slast = 1, the software-controlled status bits are shifted out after the port status bits.

The fault status bit is shifted out last, enabling a minimal system that displays only the fault status to be implemented without any shift registers.

**Table 9. LED Status Bit Definitions and Shift Order**

ORDER		NAME	FUNCTION
slast = 0	slast = 1		
1–7	1–7	0	Zero. Dummy data for first 7 of 48 LEDCLK cycles.
8–19	35–46	SW0–SW11	Software LEDs 0–11. These allow additional software-controlled status to be displayed. These 12 LEDs reflect the values of bits 0–11 of the swled field in LEDControl at the moment that the LED interface samples them. If this occurs between writes to the most significant and least significant bytes of LEDControl, these values appear on the LEDs, separated by 1/16th of a second.
20–46	8–34	P00–P26	Port status LEDs 00–26. These 27 LEDs indicate the status of ports 00–26, in this order (port 00 is output first). Note that port 27 (management port) does not have an LED. The transmit multicast content of these bits can be controlled by the txais bit in LEDControl. Note that IEEE Std 802.3X pause frames never appear on the LEDs as port activity. The port's LED toggles each 1/16th of a second if there was any frame traffic (other than pause frames) on the port during the previous 1/16th of a second.
47	47	FLOW	Flow control. LED is on when the internal flow control is enabled and active. Active means that flow control is asserted during the previous 1/16th of a second.
48	48	FAULT	Fault. LED indicates: <ul style="list-style-type: none"> <li>– the EEPROM CRC is invalid.</li> <li>– an external DRAM parity error has occurred.</li> <li>– the fitted in LEDControl has been set.</li> </ul> The CRC and parity error indications are cleared by hardware reset (terminal or DIO). The CRC error indication also is cleared by setting load to 1. The parity error indication also is cleared by setting start to 1.

***lamp test***

When the device is in the hardware reset state,  $\overline{\text{LEDDATA}}$  is driven high and LEDCLK runs continuously. This causes all LEDs to be illuminated and serves as a lamp test function.

***multi-LED display***

The LED interface is intended to provide the lowest-cost display with a single multifunction LED per port. In systems requiring a full-feature display (more than levels of activity) using multiple LEDs per port, this can be achieved by driving the LEDs directly from the PHY signals.

**hardware configurations**

**10-Mbit/s MAC interfaces (ports 04–15)**

One group of eight 10-Mbit/s ports (08–15) and one group of four 10-Mbit/s ports (04–07) interfaces directly with a TI TNETE2008, which contains eight 10-Mbit/s PHYs. This interface is time multiplexed between the eight ports, with receive and transmit data being transferred over nibble-wide buses. Any given port needs only to transfer data at 2.5 MHz (i.e.,  $2.5 \text{ MHz} \times 4 \text{ bits} = 10 \text{ Mbit/s}$ ), but because TNETE2008 contains eight PHYs, the frequency of nibble transfers is 20 MHz (i.e.,  $2.5 \text{ MHz} \times 8 \text{ ports}$ ). The remaining control and status signals also are transferred at this rate.

Table 10 shows how the terminals of a TNETE2008 device are connected to each 10-Mbit/s interface on the TNETX3151.

**TNETX3151**  
**ThunderSWITCH™ 12/3 ETHERNET™ SWITCH**  
**WITH 12 10-MBIT/S PORTS AND 3 10-/100-MBIT/S PORTS**  
 SPWS048A – MARCH 1998 – REVISED APRIL 1999

**Table 10. 10-Mbit/s Interface Connections**

<b>TNETX3151 TERMINAL</b>		<b>TNETE2008 TERMINAL</b>
THxCLK	←	IFCLK
THxSYNC	←	IFSYNC
THxCOL	←	IFCOL
THxCRS	←	IFCRS
THxLINK	←	IFLINK
THxRXD3	←	IFRXD3
THxRXD2	←	IFRXD2
THxRXD1	←	IFRXD1
THxRXD0	←	IFRXD0
THxRXDV	←	IFRXDV
THxTXD3	→	IFTXD3
THxTXD2	→	IFTXD2
THxTXD1	→	IFTXD1
THxTXD0	→	IFTXD0
THxTXEN	→	IFTXEN
$\overline{\text{THxRENEG}}$	→	$\overline{\text{IFFORCEHD}}$

Where x = 1 or 2

The time multiplexing of this interface is shown in Figure 5. The interface runs synchronous to the PHY-generated 20-MHz clock IFCLK. The MAC-to-PHY information for the first port in each group of eight (i.e., port 00, port 08, or port 16) is presented on the interface when the THxSYNC terminal is high. The next clock cycle that the interface carries is the information for the second port. This process continues for all eight ports, each using the interface for one cycle. When all ports have been processed in this manner, the sequence resumes with the first port and again when the THxSYNC signal is asserted.

To improve latency-related issues, the PHY-to-MAC data are skewed by two slots, allowing the MAC to respond to the input signals from the PHY in the same 400-ns cycle, rather than waiting for the next 400-ns cycle (which would be the case if the signals were not skewed).



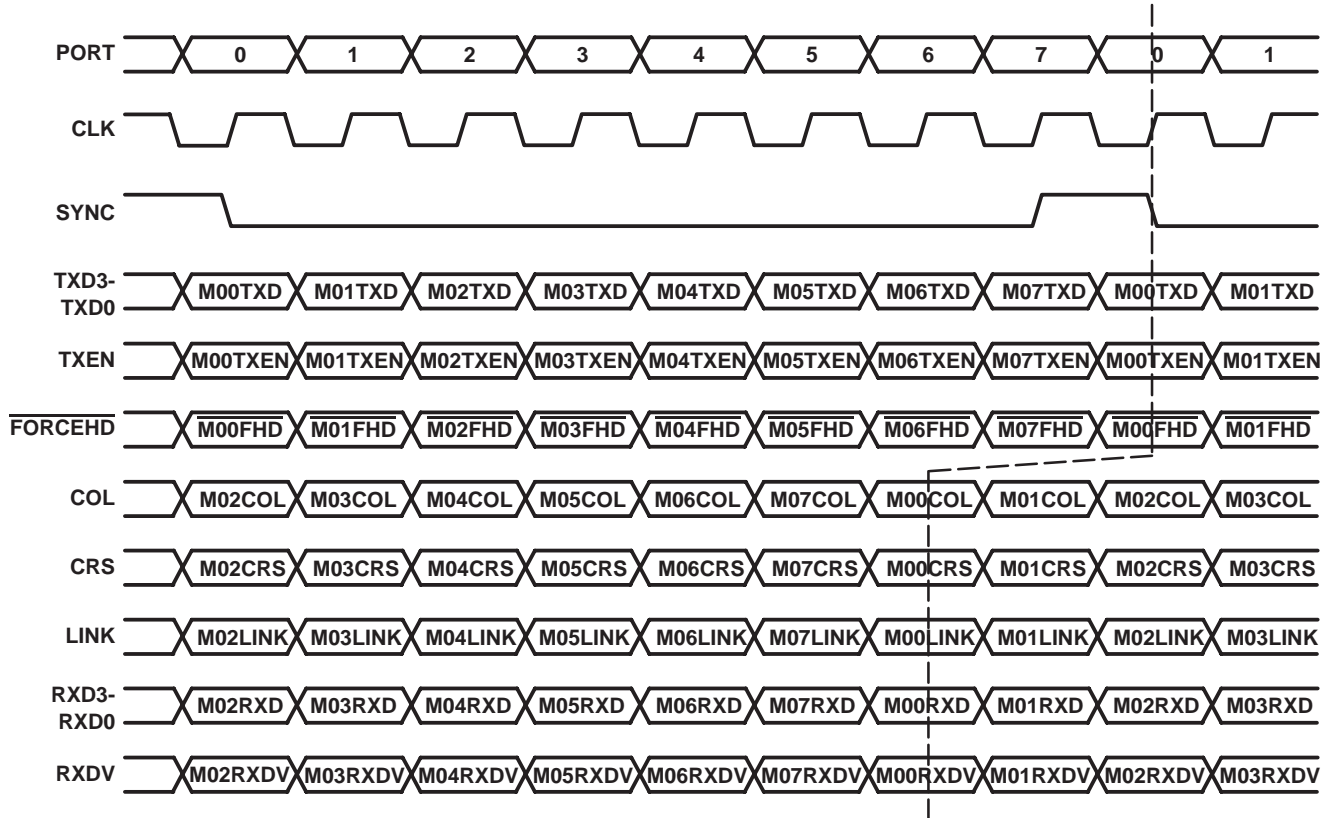
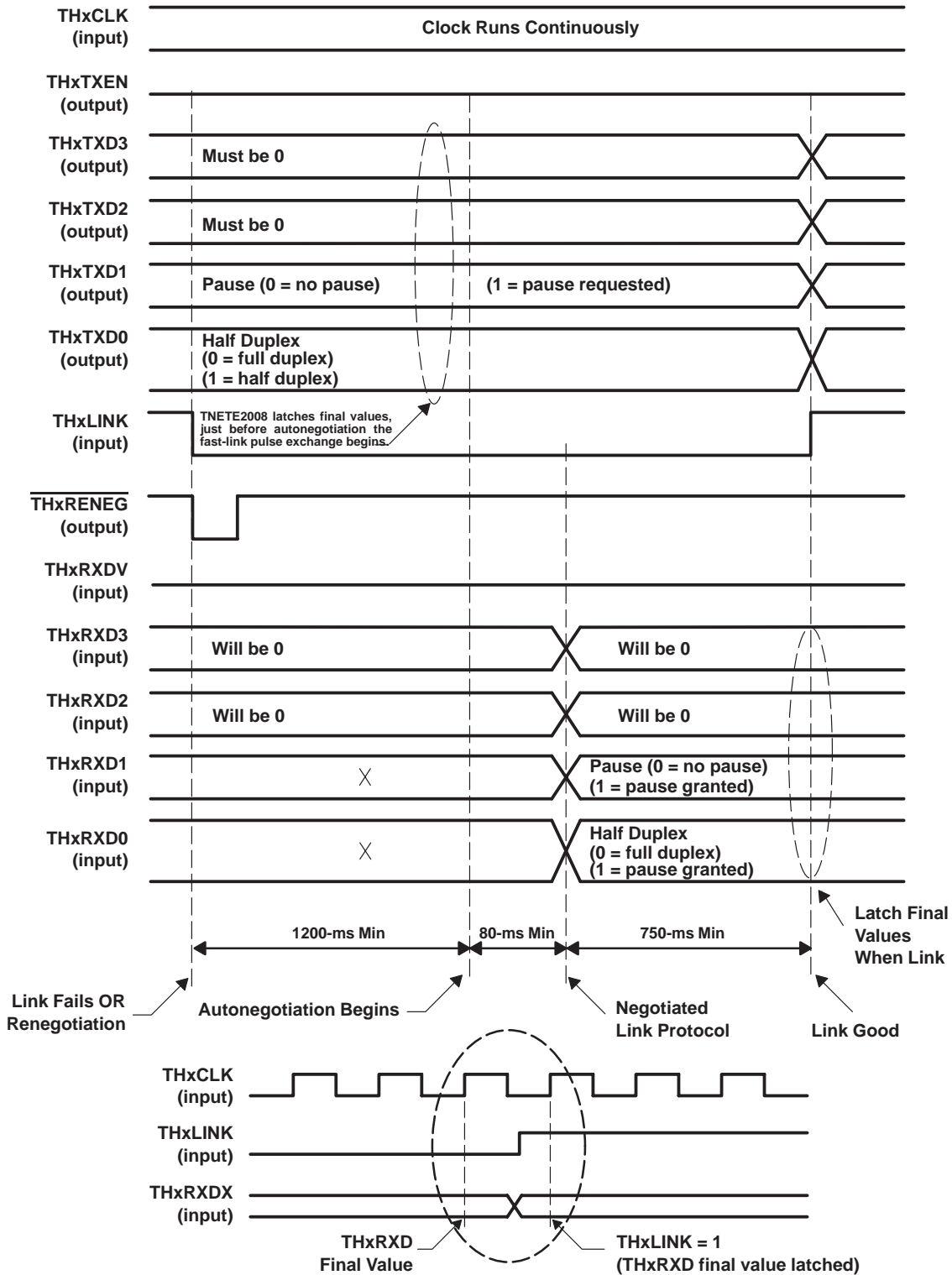


Figure 5. 10-Mbit/s Interface-Port Signal Timing

**TNETX3151**  
**ThunderSWITCH™ 12/3 ETHERNET™ SWITCH**  
**WITH 12 10-MBIT/S PORTS AND 3 10-/100-MBIT/S PORTS**

SPWS048A – MARCH 1998 – REVISED APRIL 1999



**Figure 6. Connecting to TNET2008 PHY†**

† THx = TH0, TH1, and TH2

**10-/100-Mbit/s MAC interfaces (ports 12–14)**

Unlike the 10-Mbit/s ports, each 10-/100-Mbit/s port has a dedicated set of signals to interface to its PHY. Table 11 shows how a TNETE2101 10-/100-Mbit/s PHY would be connected to one of the 10-/100-Mbit/s ports of TNETX3151.

**Table 11. 10-/100-Mbit/s Interface Connections**

SWITCH TERMINAL		TNETE2101 TERMINAL
MxxTCLK	←	MTCLK
MxxTXD3	→	MTXD3
MxxTXD2	→	MTXD2
MxxTXD1	→	MTXD1
MxxTXD0	→	MTXD0
MxxTXEN	→	MTXEN
MxxTXER	→	MTXER
MxxCOL	←	MCOL
MxxCRS	←	MCRS
MxxRCLK	←	MRCLK
MxxRXD3	←	MRXD3
MxxRXD2	←	MRXD2
MxxRXD1	←	MRXD1
MxxRXD0	←	MRXD0
MxxRXDV	←	MRXDV
MxxRXER	←	MRXER
MxxLINK	←	SLINK
MDCLK	→	MDCLK
MDIO	↔	MDIO
$\overline{\text{MRESET}}$	→	$\overline{\text{MRST}}$

Where xx = 12, 13, or 14, y = 0–3

Other differences from the 10-Mbit/s ports are noted in following paragraphs.

**10-/100-Mbit/s port configuration**

The 100-Mbit/s ports (12–14) can negotiate with the PHY (speed and duplex) at power-up via the EEPROM contents using the  $\overline{\text{MxxFORCE10}}$  and  $\overline{\text{MxxFORCEHD}}$  terminals, respectively.

Each of these terminals (per port):

- Has an integral 50- $\mu$ A current-source pullup resistor. The system designer must decide if this is sufficient to achieve a logic-1 level in a timely manner or if an external supplementary resistor is required.
- Has a strong open-drain pulldown transistor, which is enabled by setting to 1 the appropriate bit in the Portxcontrol register.
- Is connected (via synchronization logic) to the appropriate bit in the Portxstatus register. These bits directly control the configuration of the ports.

**TNETX3151**  
**ThunderSWITCH™ 12/3 ETHERNET™ SWITCH**  
**WITH 12 10-MBIT/S PORTS AND 3 10-/100-MBIT/S PORTS**

SPWS048A – MARCH 1998 – REVISED APRIL 1999

**10-/100-Mbit/s port configuration (continued)**

Each terminal can be considered to be bidirectional, when pulled low by either TNETX3151 or by the PHY (or other external connections). If neither pulls the terminal low, then the pullup resistor maintains a value of 1 on the terminal. When the PHY does not pull down a terminal, then it can determine the desired option that is being requested by TNETX3151. TNETX3151 observes the terminal to determine if its desired option has been granted.

The sense of these three signals is such that the higher-performance option is represented by a value of 1; if the MAC does not require the higher performance or the PHY cannot supply it, either can pull the signal low, forcing the port to use the lower-performance option.

The status of the link for each of these ports is indicated on the MxxLINK terminal and observable in the port's Portxstatus register. The MxxLINK terminal plays no part in the negotiation of speed or duplex or their recording in the Portxstatus register.

The behavior of these terminals is summarized in Tables 12 and 13.

**Table 12. Speed Configuration –  $\overline{\text{MxxFORCE10}}$**

Portxcontrol req10		$\overline{\text{MxxFORCE10}}$		Portxstatus SPEED	OUTCOME (Mbit/s)
0	→	Floating 1	→	1	100
1	→	Driven 0 (by TNETX3151)	→	0	10
X		Driven 0 (by PHY)	→	0	10

**Table 13. Duplex Configuration –  $\overline{\text{MxxFORCEHD}}$**

Portxcontrol reqhd		$\overline{\text{MxxFORCEHD}}$		Portxstatus DUPLEX	OUTCOME
0	→	Floating 1	→	1	Full duplex
1	→	Driven 0 (by TNETX3151)	→	0	Half duplex
X		Driven 0 (by PHY)	→	0	Half duplex

**10-/100-Mbit/s port configuration in a nonmanaged switch**

The 10-/100-Mbit/s ports can be configured in a nonmanaged switch using the following procedure:

1. The EEPROM loads the req10 and reqhd bits of the Portxcontrol registers as required. If either of these bits becomes a 1, the corresponding terminal is not pulled low and thus, floats high. (The reqnp bit also can be loaded from EEPROM to enable/disable pause-frame control in the MAC, but this cannot be communicated to the PHY. The system designer should ensure that the MAC and PHY operate using the same pause-frame regime.)
2. The PHYs either:
  - a. Look at the  $\overline{\text{MxxFORCE10}}$  and  $\overline{\text{MxxFORCEHD}}$  terminals and configure themselves as specified (if not autonegotiating), or as the highest common denominator with the link partner, if they are autonegotiating. If the PHYs use the information on these terminals, they must wait until TNETX3151 loads the EEPROM contents before doing so (this may require delaying the reset to the PHYs if necessary).
  - b. Ignore TNETX3151 requests and configure themselves in some other manner.
3. The PHYs (or external system) then drive  $\overline{\text{MxxFORCE10}}$  and  $\overline{\text{MxxFORCEHD}}$  low for those features that are supported only at the lower performance. These are continuously sampled into the Portxstatus register.
4. The MACs then operate as indicated by the Portxstatus register.



### 10-/100-Mbit/s port configuration in a managed switch

The 10-/100-Mbit/s ports is configured in a managed switch using either of the following procedures:

1. The management CPU sets the req10 and reqhd bits of the Portxcontrol registers as required while the PHYs are held in reset. If either of these bits becomes a 1, the corresponding terminal is not pulled low and thus, floats high. (The reqnp bit also can be loaded from EEPROM to enable/disable pause-frame control in the MAC, but this cannot be communicated to the PHY. The system designer should ensure that the MAC and PHY operate using the same pause-frame regime.)
2. The PHYs are then released from reset and either:
  - a. Look at the  $\overline{\text{MxxFORCE10}}$  and  $\overline{\text{MxxFORCEHD}}$  terminals and configure themselves as specified (if not autonegotiating), or as the highest common denominator with the link partner, if they are autonegotiating.
  - b. Ignore TNETX3151 requests and configure themselves in some other manner.
3. The PHYs (or external system) subsequently drive  $\overline{\text{MxxFORCE10}}$  and  $\overline{\text{MxxFORCEHD}}$  low for those features that are supported only at the lower performance. These are continuously sampled into the Portxstatus register.
4. The MACs then operate as indicated by the Portxstatus register.
5. The operating state of the PHYs subsequently can be altered by using the IEEE Std 802.3u MII management interface. Any change of state should be reflected on the values presented on  $\overline{\text{MxxFORCE10}}$  and  $\overline{\text{MxxFORCEHD}}$  so that the MACs are similarly reconfigured.

Or:

1.  $\overline{\text{MxxFORCE10}}$  and  $\overline{\text{MxxFORCEHD}}$  should not be connected to anything.
2. Software uses the IEEE Std 802.3u MII management interface to configure the PHYs to the required operating conditions, possibly interrogating the PHY as to the results of autonegotiation.
3. The MACs should then be set to operate in the required manner by writing the appropriate values to the req10 and reqhd bits in the Portxcontrol register. This causes  $\overline{\text{MxxFORCE10}}$  and  $\overline{\text{MxxFORCEHD}}$  to reflect the operating conditions that are sampled into the Portxstatus registers to configure the MACs. The reqnp bit also should be set to 1 for those PHYs that are configured to support IEEE Std 802.3x pause frames. This also is communicated to the MACs.

### SDRAM interface

All valid frames pass over this interface to the external SDRAM, where they are temporarily buffered between reception and transmission.

The data bus within the SDRAM interface is 32 bits wide and supports the following configurations:

- Two 1M × 16-bit SDRAMs (4 Mbytes of storage)
- Four 2M × 8-bit SDRAMs (8 Mbytes of storage)
- Two 4M × 16-bit SDRAMs (16 Mbytes of storage)
- Four 8M × 8-bit SDRAMs (32 Mbytes of storage)

The interface is clocked at 83.33 MHz, so 12-ns SDRAMs are required. If one of the above configurations is used, then no additional glue logic is required. The SDRAMs should be connected to the SDRAM interface pins (see Table 14).

**TNETX3151**  
**ThunderSWITCH™ 12/3 ETHERNET™ SWITCH**  
**WITH 12 10-MBIT/S PORTS AND 3 10-/100-MBIT/S PORTS**

SPWS048A – MARCH 1998 – REVISED APRIL 1999

**SDRAM interface (continued)**

**Table 14. TNETX3151 Terminal Interface to SDRAMs**

TERMINALS		SDRAM TERMINAL FUNCTION
TNETX3151	SDRAM	
DA13	A13	Row/bank address (64-M SDRAMs only)
DA12	A12	Row/bank address (64-M SDRAMs only)
DA11	A11	Row/bank address
DA10	A10	Row address/auto-precharge select
DA09	A9	Row address
DA08	A8	Row address/column address (× 8 only)
DA07	A7	Row address/column address
DA06	A6	Row address/column address
DA05	A5	Row address/column address
DA04	A4	Row address/column address
DA03	A3	Row address/column address
DA02	A2	Row address/column address
DA01	A1	Row address/column address
DA00	A0	Row address/column address
$\overline{\text{DRAS}}$	RAS	Row address strobe
$\overline{\text{DCAS}}$	CAS	Column address strobe
$\overline{\text{DW}}$	W	Write enable
DCLK	CLK	Clock
DD31–DD16	DQ15–DQ0	SDRAM1. Data I/O (× 16 SDRAMs)
DD15–DD00	DQ15–DQ0	SDRAM0
DD31–DD24	DQ7–DQ0	SDRAM3. Data I/O (× 8 SDRAMs)
DD23–DD16	DQ7–DQ0	SDRAM2
DD15–DD08	DQ7–DQ0	SDRAM1
DD07–DD00	DQ7–DQ0	SDRAM0

DA13 and DA12 should be left unconnected if 16M-bit SDRAMs are used. The remaining functional SDRAM terminals that are not directly controlled by the SDRAM interface should be tied off from the external system during operation (see Table 15).

**Table 15. SDRAM Terminals Not Driven by the TNETX3151**

HELD	SDRAM TERMINAL	SDRAM TERMINAL FUNCTION
Low	CS	Chip select
High	CKE	CLK enable
Low	DQM	Data mask (× 8 SDRAMs)
Low	DQML	Data mask (× 16 SDRAMs)
Low	DQMU	Data mask (× 16 SDRAMs)



***SDRAM-type and quantity indication***

Before beginning operation (by writing to the start bit of Syscontrol), it is necessary to indicate to the SDRAM interface whether  $\times 8$  or  $\times 16$  SDRAMs are being used. This is done by setting the bit in the RAMsize register (by 8 = 0 for  $\times 16$ , by 8 = 1 for  $\times 8$ ) during the load from EEPROM or via a DIO write. It also is necessary to inform the SDRAM interface of the quantity of external SDRAM available. This is done by writing to the RAMsize register, while at the same time setting the  $\times 8$  or  $\times 16$  SDRAMs.

***initialization***

SDRAMs require controlled initialization. Specifically, SDRAMs require up to 200  $\mu$ s of inactivity after power has been supplied, during which they are supplied only with an active CLK. The system designer must ensure that this inactivity period is observed while TNETX3151 is held in hardware or software reset.

Table 16 shows the state of the SDRAM interface terminals during hardware or software reset.

**Table 16. SDRAM Interface Terminal State During Hardware or Software Reset**

TNETX3151 TERMINAL	STATE DURING RESET
DA13–DA00	Driven high
$\overline{\text{DRAS}}$	Driven high
$\overline{\text{DCAS}}$	Driven high
$\overline{\text{DW}}$	Driven high
DCLK	Active
DD31–DD00	High impedance

Any other SDRAM requirements during this period that need to be observed, such as the state of chip selects and clock-enable and data-mask controls, also are the responsibility of the system designer. This SDRAM interface does not drive the DD bus during hardware or software reset, or following either reset, until the SDRAM initialization process has been completed.

***refresh***

After the initialization process, the SDRAM interface then performs 4096 REFR commands at least every 64 ms. SDRAM data is, however, lost during any subsequent resets, as the SDRAM interface does not issue any REFR commands during any hardware or software reset.

**TNETX3151**  
**ThunderSWITCH™ 12/3 ETHERNET™ SWITCH**  
**WITH 12 10-MBIT/S PORTS AND 3 10-/100-MBIT/S PORTS**  
 SPWS048A – MARCH 1998 – REVISED APRIL 1999

**frame routing**

**VLAN support**

The internal routing engine supports the IEEE Std 802.1Q VLANs as shown in Figure 7 and described in the following paragraphs.

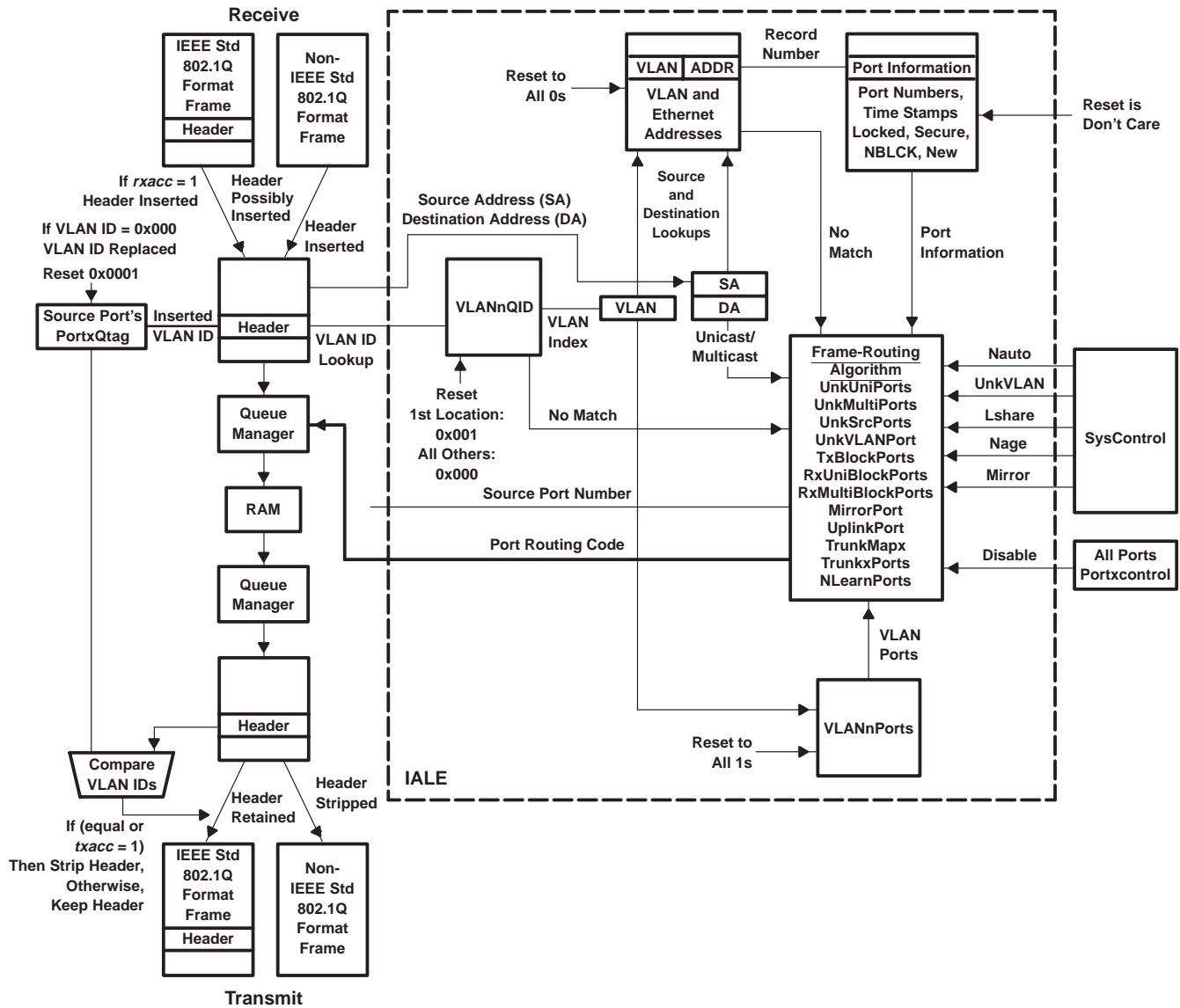


Figure 7. VLAN Overview

### ***IEEE Std 802.1Q headers – reception***

When the internal address-lookup engine (IALE) examines the received frame, it contains an IEEE Std 802.1Q header (after the source address). The header used depends on the port configuration. If the port is configured as an access port, then IALE always uses the default VLAN ID (VID) programmed for this port. It accepts all received frames on this port as untagged. If the frame already contains a header, it is tagged again. If the port is programmed as a non-access port, then the header added depends on the received frame. If the frame is not tagged, or the value of the header field is 0x000, then the default port VID is used to tag the frame internally. Otherwise, the VID contained in the frame is used by the IALE.

The IALE does not support all 4096 VLAN IDs that can be encoded within the IEEE Std 802.1Q header at the same time. The TNETX3151 has support for 32 VLANs, the VID in the received frame is compared with these 32 VLAN IDs to see which (if any) it matches. The designer can use any of the 4096 VLAN ID values for these 32 VLAN IDs.

#### **unknown VLAN**

If there is no match, then the rest of the address-lookup process is abandoned. A new VLAN interrupt is provided to the attached CPU. The source address, VLAN ID, and port information is provided in internal registers so that the CPU can determine if it wants to add this VID to the lookup table. If the destination address is unicast, then the frame is discarded. If the destination address is multicast/broadcast, then the frame is forwarded based on a programmable port mask.

#### **known VLAN**

If there is a match, the VLAN index associated with this VID together with the destination and source address, are forwarded to the address-lookup and subsequent routing process. Only one of the VLAN IDs match if they have been programmed correctly. If more than one matches, the hardware chooses one of them.

#### **new VLAN member**

The IALE checks to see if the source port already has been declared as a member of this VLAN. If not, then an interrupt is provided to allow the attached CPU to add this port as a new member of the VLAN.

### ***IEEE Std 802.1Q headers – transmission***

The IEEE Std 802.1Q header is carried in the frame to the transmitting MAC port, where the decision to strip out the header before transmission is made, based on the port configuration. If the port is configured as an access port, the header is stripped before transmission. If the frame is only 64 bytes long, then four bytes of pad (0s) are inserted between the end of the data and the start of the CRC word (a new CRC value is calculated and inserted in the frame). If the port is configured as a non-access port, the VID is compared with the default port VID. If they match, the header is stripped. Otherwise, the header is retained.

If the frame is transmitted to the NM port, then no header stripping occurs. The frame is transmitted unaltered. It may contain one or two headers, depending on how the frame was originally received.

### ***address maintenance***

The addresses within the IALE can be maintained automatically by the TNETX3151, where addresses are learned/updated from the wire and deleted, using one of two aging algorithms. Multicast addresses are not automatically learned or aged. The attached CPU can add/update, find, or delete address records via the DIO interface.

At times of peak activity, it may not be possible to learn or update every source address that is received. The IALE backlogs up to one source address per port under these circumstances. Subsequent source addresses received on a backlogged port are not learned/updated until that port's backlog has been cleared. Lookups are always given priority in the IALE, so these can never backlog.

The learning and aging processes are independent. This allows addresses to be learned automatically from the wire, but allows the CPU to manage the aging process under software control.

# TNETX3151

## ThunderSWITCH™ 12/3 ETHERNET™ SWITCH

### WITH 12 10-MBIT/S PORTS AND 3 10-/100-MBIT/S PORTS

SPWS048A – MARCH 1998 – REVISED APRIL 1999

---

#### ***spanning-tree support***

Each port provides independent controls to block reception or transmission of frames, for learning of addresses, or to disable the port on a per-port basis. Blocking can be overridden to allow reception or transmission of spanning-tree frames.

#### ***aging algorithms***

##### **time-threshold aging**

When processing (learning) addresses, the IALE adds the source address to the table and tags it with a time stamp. If another frame is received with this source address, then the time stamp is refreshed. If the aging counter expires before another frame is received from this source address, then the address is deleted from the table. If the table is full, then the oldest address is deleted to make room for a new address, even if the age for this address has not expired.

##### **table-full aging**

In table-full aging, the oldest address (or one of the oldest addresses if there is more than one) is automatically deleted from the IALE records only if the table is full and a new address needs to be added to the table. In this mode, the age stamp for the addresses is not refreshed.

#### ***frame-routing determination***

When a frame is received, its 48-bit destination and source addresses are extracted and the VLAN index is determined. The destination address and VLAN index are then looked up in the IALE records to determine if a match exists. If a match is found, the information associated with the record is passed on to the frame-routing algorithm. After removing disabled ports and checking for mirrored and trunking ports, the frame is sent to the correct ports and the source address time stamp is reported.

The source address and VLAN index combination also are looked up in the IALE records to determine if a match exists. If a match is found, additional information is provided to the routing process. Figure 8 provides a flow diagram of the routing algorithm.



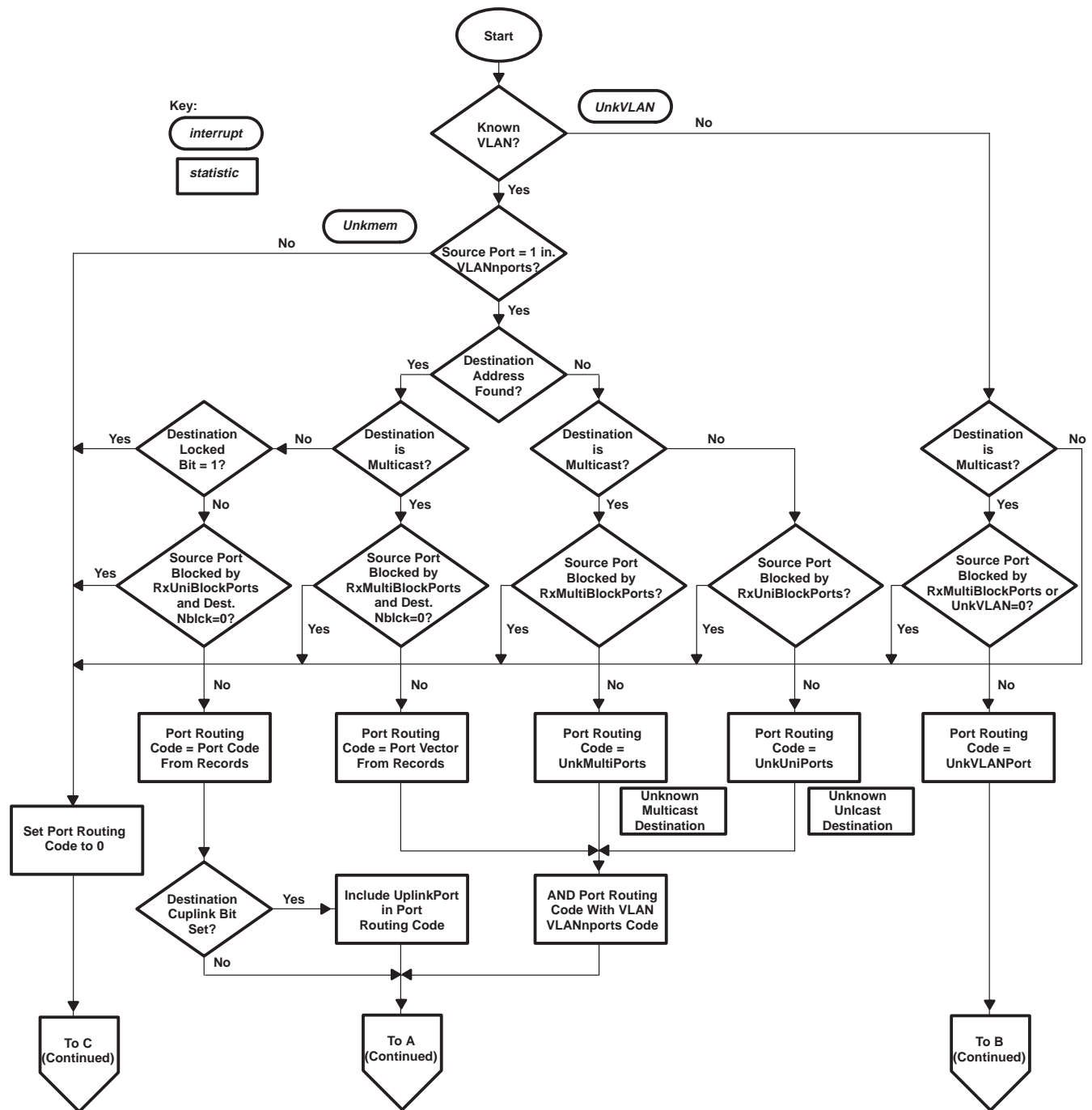


Figure 8. Frame-Routing Algorithm

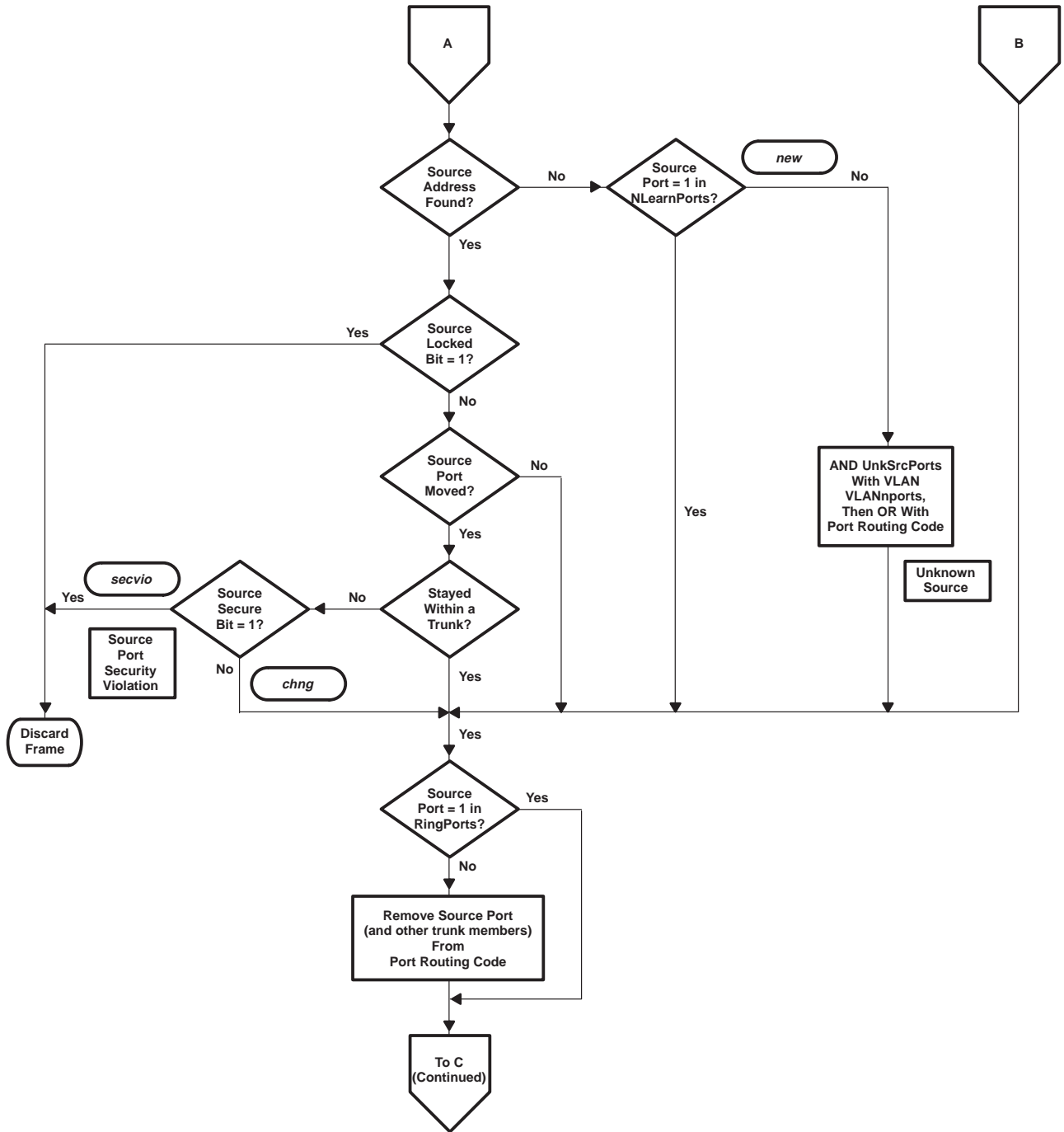
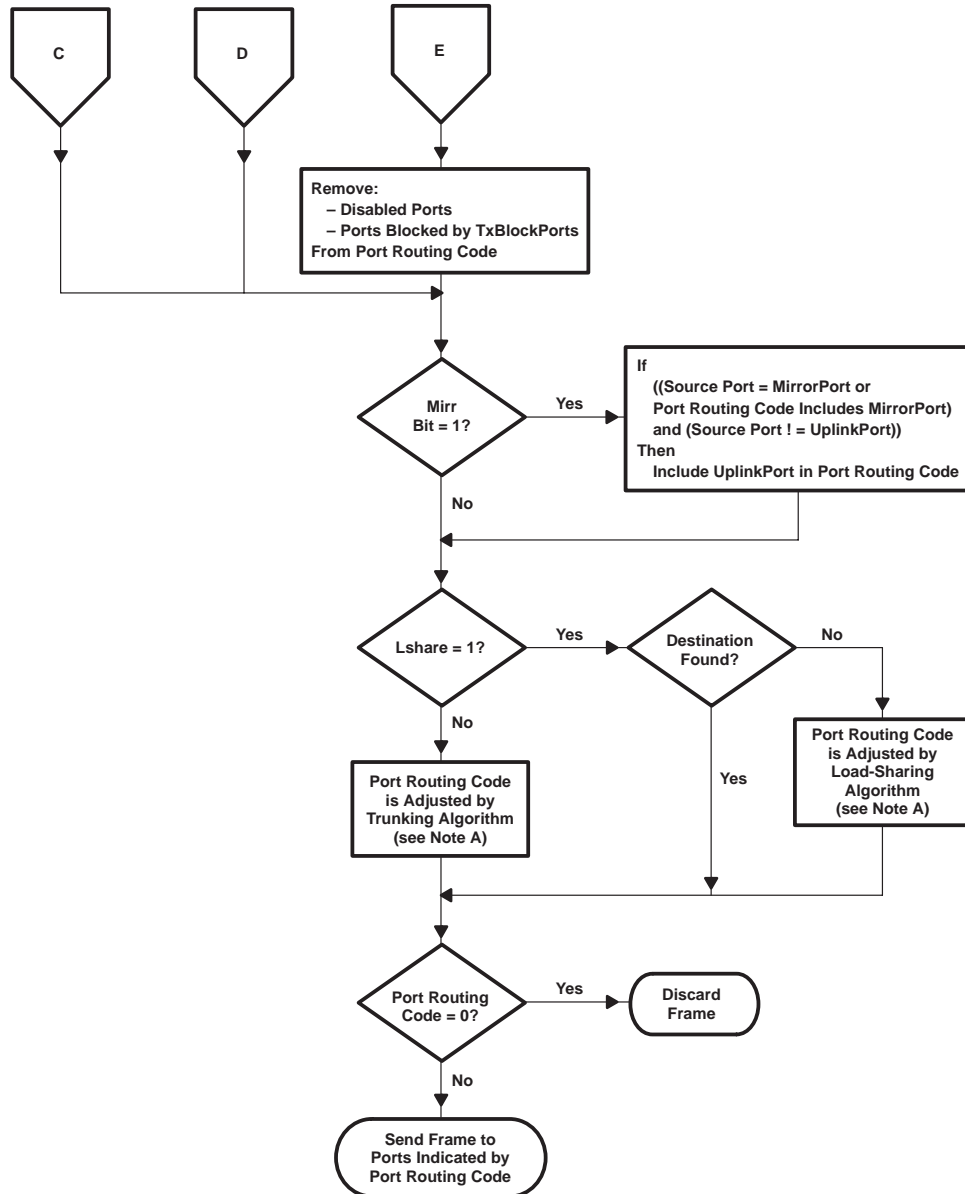


Figure 8. Frame-Routing Algorithm (Continued)



NOTE A: See Port Trunking/Load Sharing

**Figure 8. Frame-Routing Algorithm (Continued)**

**port mirroring**

The TNETX3151 allows all transmitted frames on a particular port to be copied (or mirrored) to a designated port.

# TNETX3151

## ThunderSWITCH™ 12/3 ETHERNET™ SWITCH

### WITH 12 10-MBIT/S PORTS AND 3 10-/100-MBIT/S PORTS

SPWS048A – MARCH 1998 – REVISED APRIL 1999

---

#### ***port trunking/load sharing***

Port trunking is a technique that allows two or more ports to be parallel connected between switches and counted as one port to increase the bandwidth between those devices. The trunking algorithm determines on which of these ports a frame is transmitted, spreading the load evenly across these ports and maintaining packet order.

The TNETX3151 supports trunking on the 10-/100-Mbit/s ports. Trunk-port determination is the final step in the IALE frame-routing algorithm. Once the destination port(s) for a frame has been determined, the port-routing code is examined to see if any of the destination ports are members of the trunk. If so, the trunking algorithm is applied to select which port within that trunk transmits the frame – it may or may not be the one currently in the port-routing code. To determine the destination port within a trunk, bits 3–1 of the source and destination address are XORed to produce a map index. This map index is used to index to a group of eight internal registers to determine the destination port. The actual transmit port of a unicast packet is dynamic, based on the eight internal registers.

Load sharing is a similar to trunking, with the following differences:

- If the destination address was found in the IALE records when it was looked up, the port-routing code is not adjusted by the load-sharing/-trunking algorithm.
- The 3-bit map index is determined only from the source address as follows:
  - Bits 47–32 are XORed to produce the most significant bit of the map index.
  - Bits 31–16 are XORed to produce the middle of the map index.
  - Bits 15–0 are XORed to produce the least significant bit of the map index.

Once assigned, the tx port for a unicast packet is static.

#### **flow control**

The switch incorporates two forms of flow control: collision based, and IEEE Std 802.3 pause frames.

In either case, the switch recognizes when it is becoming congested by monitoring the size of the free-buffer queue. When the number of free buffers drops below the specified threshold, the switch prevents frames from entering the device by issuing the flow control appropriate to each port's current mode of operation. This prevents reception of any more frames on those ports until the frame backlog is reduced and the number of free buffers has risen above the threshold, at which point flow control ceases and frames again can be received. The default free-buffer threshold after a hardware reset is chosen to ensure that all ports simultaneously can start reception of a maximum-length frame and ensure complete reception.

The purpose of flow control is to reduce the risk of data loss if a long burst of activity caused the switch to backlog frames to the point where the memory system is full. However, there is no way to prevent frame reception on those ports operating in full-duplex mode that have not negotiated IEEE Std 802.3 flow control. Such ports can exhaust the free buffer queue, with subsequent data loss.

Each 10-/100-Mbit/s port can request collision or IEEE Std 802.3X flow control through internal registers.

Flow control is globally enabled/disabled. Each individual port can request half- or full-duplex or IEEE Std 802.3 flow to be negotiated by the PHY device.

In full duplex, a port does not start transmitting a new frame if the collision pin is active, although the value of this pin is ignored at other times.



### ***collision-based flow control***

Collision-based flow control provides a means of preventing frame reception for ports that are operating in half-duplex mode. While the number of free buffers is fewer than the specified threshold, ports in this state that are not currently transmitting, generate collisions when they start to receive a frame. The jam sequence transmitted (55.55.55.55.55.55.55.55.DD.DD.DD.DD (hex) starts approximately when the source address starts to receive. Port 8 begins jam sequence after approximately eight bytes of payload data (i.e., after the source address) have been received.

These forced collisions are not limited to a maximum of 16 consecutive collisions, and are independent of the normal backoff algorithm.

### ***IEEE Std 802.3 flow control***

IEEE Std 802.3X flow control provides a means of reducing network congestion on ports that are operating in full duplex mode, via special pause frames. It is symmetrical, so that devices that transmit pause frames must also respond to received pause frames.

Pause frames and their behavior are fully described in the IEEE Std 802.3X standard, but in essence they comprise:

- 48-bit multicast destination address 01.80.C2.00.00.01
- 48-bit source address – is read from the Devnode register when transmitted by this device.
- 16-bit length/type field, containing the value 88.08
- 16-bit pause opcode equal to 00.01
- 16-bit pausetime. This specifies a nonzero number of pausequanta. A pausequantum is 512 bit times.
- Padding as required/desired
- 32-bit frame-check sequence (CRC word)

All quantities above are hexadecimal and are transmitted most significant byte first. Within the byte they are transmitted least significant bit first.

The padding is required to fill out the frame to a minimum of 64 bytes. The standard allows pause frames longer than 64 bytes to be discarded or interpreted as valid pause frames. This device recognizes any pause frame that is between 64 bytes and 1531 bytes long. It always transmits 64-byte pause frames.

Each 10-/100-Mbit/s port can request IEEE Std 802.3X pause-frame support via the reqnp (= 0) bit within its Portxcontrol register. The 100-/1000-Mbit/s port has independent control for transmission and reception of IEEE Std 802.3X pause frames, and can request IEEE Std 802.3X flow control via the reqntxp (= 0) and reqnrpx (= 0) bits within its Portxcontrol.

Outgoing pause frames are issued only when:

- pause (10/100) = 1
- The port is operating in the full-duplex mode.
- flow = 1 in Syscontrol

Incoming pause frames are acted on only when:

- pause = 1 or pausetx = 1 (i.e., incoming pause frames are recognized in both full-duplex and half-duplex modes, regardless of the value of the flow bit)

# TNETX3151

## ThunderSWITCH™ 12/3 ETHERNET™ SWITCH

### WITH 12 10-MBIT/S PORTS AND 3 10-/100-MBIT/S PORTS

SPWS048A – MARCH 1998 – REVISED APRIL 1999

---

#### pause frame reception

The IEEE Std 802.3X standard defines a MAC control frame as any frame containing a length/type value = 88.08 (hex). This device always absorbs (i.e., discards) within the MAC all such frames that it receives, regardless of the configuration of the port (i.e., pause and duplex have no effect on this behavior). MAC control frames are not forwarded to any other port and are not used by IALE for learning source addresses. They appear in the MAC statistics in the same manner as data frames, but are not seen by the IALE, so do not appear in its statistics (i.e., receive filtered frames, security violations, unknown unicast destination, unknown multicast destination, or unknown source).

Pause frames are the subset of MAC control frames with the opcode field = 0x0001. These are acted on by a port only if:

- pause = 1 in its Portxstatus register
- The frame's length is 64–1531 bytes, inclusive.
- MxxRXER does not go active at any time during its reception.
- Its FCS passes the CRC.

The pause\_time value from such valid frames is extracted from the two bytes following the opcode. This is loaded into the port's pause timer and the pause\_time period is timed.

If a valid pause frame is received during the pause\_time period of a previous pause frame:

- If its destination address is not equal to the reserved multicast address or the address in the Devnode register, the pause timer immediately expires.
- If the new pause\_time value is 0, the pause timer immediately expires.
- If the pause timer within the port immediately is set to the pause\_time value of the new pause frame (any remaining pause time from the previous pause frame is disregarded).

If the pause bit in Portxstatus ever becomes a 0 (because pause frames are no longer supported), the pause timer immediately expires.

A port does not begin to transmit any new data frame any later than 512-bit times after a pause frame with a nonzero pause time has been received (RXDV going inactive). It does not begin to transmit any data frame until the pause timer has expired. (However, it can transmit pause frames of its own if it needs to initiate flow control). Any frame already in mid-transmission when a pause frame is received is unaffected; it completes transmission as normal.

#### pause frame transmission

When the number of free buffers within the switch becomes less than the number specified in Flowthreshold, full-duplex ports that have had pause frames negotiated/enabled transmit a pause frame at the first available opportunity (immediately if currently idle, or following completion of the frame currently being transmitted). The pause frame contains the pausetime field from Pausetimex register that matches the current operating speed of the port.

If the number of free buffers still is less than the number specified in Flowthreshold after 80% of the time interval represented by the respective pausetime field has elapsed, then another pause frame is transmitted at the earliest opportunity.

If the value in Pausetimex is 0, then no pause frames are transmitted on ports with that speed.

It is anticipated that the pausetime values for the different port speeds will be programmed to have a 10:1 ratio, so that different-speed ports pause for the same amount of real time.

Note that transmitted pause frames are only a request to the other end station to stop transmitting. Frames that are received during the pause interval are received normally (provided the buffer memory is not full).



**pause frame transmission (continued)**

Pause frames are transmitted if required, even if the port is observing the pausetime period from a pause frame it has received.

***internal wrap test***

Internal wrap mode causes some or all of the Ethernet MACs to be configured to loop back transmitted data into the receive path. This allows a frame to be sent into a designated source port and then selectively routed successively to and from ports involved in the test, before finally transmitting the frame out of the original port. By varying the number of ports between which the frame is forwarded, the potential fault capture area is expanded or constrained.

Intwrap in Systest determines which ports loop back. Ports 0 or 8 can be configured to not loop back, allowing them to be used as the start/end port for the test. Alternatively, the NM port (accessed via DIO) can be used for this purpose, with all MII ports configured to loop back.

For a frame to be forwarded from one port to another in this fashion, the switch must be programmed as follows:

- Assign a unique VID to each of the PortxQtag registers, and program these tags into the VLANnQID registers.
- The VLANnports register associated with each of the VLANnQID registers should have only one bit set, indicating the port to which frames containing that IEEE Std 802.3 tag should be routed.
- Rxacc and Txacc for each port must be 1. This causes the port to add the VID from its PortxQtag to the frame on reception, and strip the tag before transmission.
- The destination address of the frames to be applied is not known, and UnkUniPorts and UnkMultiPorts should be all 1s.

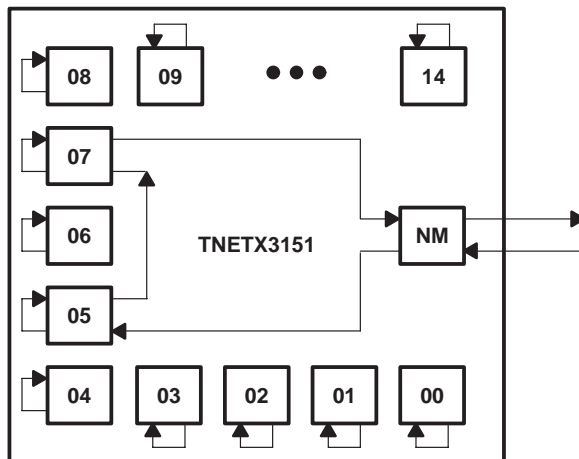
This causes the following:

1. The VID from the source port PortxQtag register is added to the frame upon reception. As the address of the frame is unknown, it is forwarded to the AND of the appropriate VLANnports and Unkuniports (unicast) or Unkmultiports (multicast). As VLANnports should contain only a single 1, this should be a single port.
2. The frame is transmitted from the destination port selected in 1. Its VLAN tag is stripped beforehand; the frame loops back to the receive path.
3. Steps 1 and 2 are repeated, but the VID added upon reception is different from the one just stripped off at transmission. This means a different VLANnports register is used to determine the destination.
4. Eventually, the frame is sent to a port that is not configured for loopback and leaves the switch.

The operational status of the PHYs or external connections to the device do not have to be considered or assumed good, when in internal loopback mode.

**TNETX3151**  
**ThunderSWITCH™ 12/3 ETHERNET™ SWITCH**  
**WITH 12 10-MBIT/S PORTS AND 3 10-/100-MBIT/S PORTS**

SPWS048A – MARCH 1998 – REVISED APRIL 1999



**Figure 9. Internal Wrap Example**

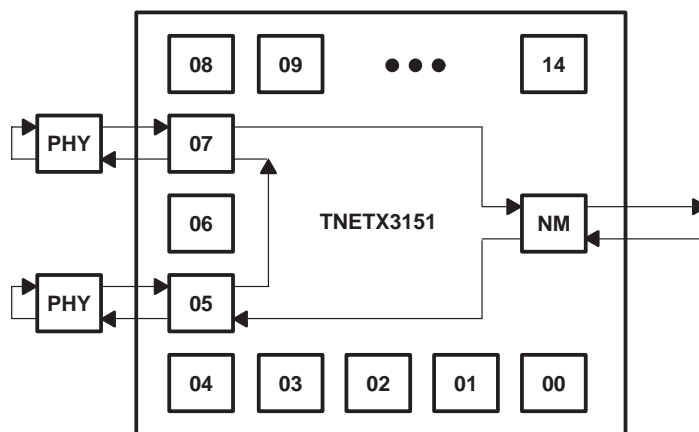
***duplex wrap test***

Duplex wrap test is similar to internal wrap mode (see Figure 10). The ports can be set to accept frame data that is wrapped at the PHY. This permits network connections between the device and the PHY to be verified. Any port can be the source port (not just the NM port as shown in Figure 9). By using multicast/broadcast frames, traffic can be routed selectively between ports involved in the test or return the frame directly before retransmission on the uplink. Software control of the external PHYs is required to configure them for loopback.

If the internal PCS is in use (port configured in PMA mode) loopback in PCSxcontrol also must be asserted. This causes MxxEWRAP to be high, forcing external PMD into loopback mode.

Duplex frame-wrap test mode is selected by setting dpwrap in Systest. When selected, the port is forced into full duplex, allowing it to receive frames it transmits.

The switch is configured in the same manner as internal wrap.



**Figure 10. Duplex Wrap Example**

***port mirroring***

It is possible to copy (or mirror) all frames that are received by and transmitted to a port designated by the Mirrorport register to the port designated by the Uplinkport register. This feature is enabled if the mirr bit in Syscontrol is set to 1, and disabled if it is 0.

If Mirrorport selects a port that is a member of a trunk, only that single specific port is mirrored. Frame traffic on the other trunk port(s) is not mirrored. The Uplinkport register should not select a port within a trunk (undesired behavior can occur if this is done).

***copy to uplink***

If destination address is a unicast and the cuplnk bit of its address record is set to 1 (via a DIO add), when a frame specifies that address as the destination, a copy of the frame also is sent to the port specified in the Uplinkport register. The Uplinkport register should not be set to select a port within a trunk (undesired behavior can occur if this is done).

**TNETX3151**  
**ThunderSWITCH™ 12/3 ETHERNET™ SWITCH**  
**WITH 12 10-MBIT/S PORTS AND 3 10-/100-MBIT/S PORTS**

SPWS048A – MARCH 1998 – REVISED APRIL 1999

**absolute maximum ratings over operating junction temperature range (unless otherwise noted)†**

Supply voltage range: $V_{DD(2.5V)}$ .....	-0.5 V to 2.7 V
$V_{DD(3.3V)}$ .....	-0.5 V to 3.6 V
Input voltage range, $V_I$ : Standard .....	-0.5 V to $V_{DD(3.3V)} + 0.4$ V
Output voltage range, $V_O$ : Standard .....	-0.5 V to $V_{DD(2.5V)} + 0.5$ V
Thermal impedance: Junction-to-ambient package, airflow = 0, $Z_{\theta JA}$ .....	15°C/W
Junction-to-ambient package, airflow = 150 fpm, $Z_{\theta JA}$ .....	11.5°C/W
Junction-to-case package, 0 $Z_{\theta JC}$ .....	1.08°C/W
Operating case temperature range, $T_C$ .....	0°C to 95°C
Storage temperature range, $T_{stg}$ .....	-65°C to 150°C

† Stresses beyond those listed under “absolute maximum ratings” may cause permanent damage to the device. These are stress ratings only, and functional operation of the device at these or any other conditions beyond those indicated under “recommended operating conditions” is not implied. Exposure to absolute-maximum-rated conditions for extended periods may affect device reliability.

- NOTES: 1. Applies to external input buffers. Level-shifting inputs are relative to  $V_{DD(3.3V)}$ .  
 2. Applies to external output buffers. Level-shifting outputs are relative to  $V_{DD(3.3V)}$ .

**recommended operating conditions**

	MIN	NOM	MAX	UNIT
$V_{DD(2.5V)}$ Supply voltage	2.3	2.5	2.7	V
$V_{DD(3.3V)}$ Supply voltage	3	3.3	3.6	V
$V_{IH}$ High-level dc input voltage	2.3		3.3	V
$V_{IL}$ Low-level dc input voltage	0		0.65	V
$I_{OH}$ High-level output current			-2	mA
$I_{OL}$ Low-level output current			-2	mA

**electrical characteristics over recommended operating conditions (unless otherwise noted)**

PARAMETER	TEST CONDITIONS	MIN	TYP	MAX	UNIT
$V_{OH}$ High-level output voltage	$I_{OH} = \text{rated}$	2.5			V
$V_{OL}$ Low-level output voltage	$I_{OL} = \text{rated}$			0.5	V
$I_{IH}$ High-level input current	$V_I = V_{DD(3.3V)}$			1	μA
$I_{IL}$ Low-level input current	$V_I = \text{GND}$			-1	μA
$I_{OZ}$ High-impedance-state output current	$V_O = V_{DD(3.3V)}$ , $V_O = 0$			±10	μA
$I_{DD(2.5V)}$ Supply current	$V_{DD(2.5V)} = \text{max}$ , $f = 83.33$ MHz			1.5	A
$I_{DD(3.3V)}$ Supply current	$V_{DD(3.3V)} = \text{max}$ , $f = 83.33$ MHz			175	mA
$C_i$ Capacitance, input			6		pF
$C_o$ Capacitance, output			6		pF



### PARAMETER MEASUREMENT INFORMATION

Outputs are driven to a minimum high-logic level of 3.3 V and to a maximum low-logic level of 0 V.

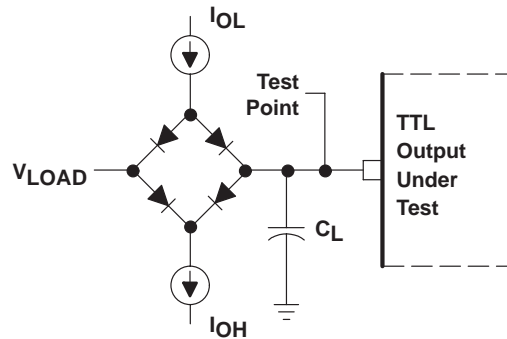
Output transition times are specified as follows: For a high-to-low transition on either an input or output signal, the level at which the signal is said to be no longer high is 1.4 V and the level at which the signal is said to be low is 1.4 V. For a low-to-high transition, the level at which the signal is said to be no longer low is 0.8 V and the level at which the signal is said to be high is 2 V, as shown in the following.

The rise and fall times are not specified but are assumed to be those of standard TTL devices, which are typically 1.5 ns.



#### test measurement

The test-and-load circuit shown in Figure 11 represents the programmable load of the tester pin that is used to verify timing parameters of the TNETX3151 output signals.



TTL OUTPUT TEST LOAD

- Where:  $I_{OL}$  = Refer to  $I_{OL}$  in recommended operating conditions.  
 $I_{OH}$  = Refer to  $I_{OH}$  in recommended operating conditions.  
 $V_{LOAD}$  = 1.5 V, typical dc-level verification or  
 1.5 V, typical timing verification  
 $C_L$  = 45 pF, typical load-circuit capacitance

Figure 11. Test-and-Load Circuit

**TNETX3151**  
**ThunderSWITCH™ 12/3 ETHERNET™ SWITCH**  
**WITH 12 10-MBIT/S PORTS AND 3 10-/100-MBIT/S PORTS**

SPWS048A – MARCH 1998 – REVISED APRIL 1999

**10-Mbit/s interface (ports 04–15)**

**timing requirements (see Notes 3 through 6 and Figure 12)†**

NO.		MIN	MAX	UNIT
1	$t_c(\text{THxCLK})$ Cycle time, THxCLK	50	58	ns
2	$T_w(\text{THxCLK})$ Pulse duration, THxCLK high or low	23	27	ns
3	$t_{su}(\text{THxSYNC})$ Setup time, THxSYNC high before THxCLK↓	8		ns
4	$t_{su}(\text{THxCOL})$ Setup time, THxCOL high before THxCLK↑	8		ns
4	$t_{su}(\text{THxCRS})$ Setup time, THxCRS high before THxCLK↑	8		ns
4	$t_{su}(\text{THxLINK})$ Setup time, THxLINK high before THxCLK↑	8		ns
4	$t_{su}(\text{THxRXD})$ Setup time, THxRXD3–THxRXD0 valid before THxCLK↑	8		ns
4	$t_{su}(\text{THxRXDV})$ Setup time, THxRXDV high before THxCLK↑	8		ns
5	$t_h(\text{THxSYNC})$ Hold time, THxSYNC high after THxCLK↓	8		ns
6	$t_h(\text{THxCOL})$ Hold time, THxCOL high after THxCLK↑	8		ns
6	$t_h(\text{THxCRS})$ Hold time, THxCRS high after THxCLK↑	8		ns
6	$t_h(\text{THxLINK})$ Hold time, THxLINK high after THxCLK↑	8		ns
6	$t_h(\text{THxRXD})$ Hold time, THxRXD3–THxRXD0 valid after THxCLK↑	8		ns
6	$t_h(\text{THxRXV})$ Hold time, THxRXDV high after THxCLK↑	8		ns
	$t_r(\text{THxCLK})$ Rise time, THxCLK		2	ns
	$t_f(\text{THxCLK})$ Fall time, THxCLK		2	ns

† THx = TH1 and TH2

- NOTES:
- The TNETE2008 must supply at least two THxSYNC pulses under normal conditions before driving valid data on the inputs to the TNETX3151, or before expecting valid data on the outputs from the TNETX3151. This means that at least two full sequences must be executed; only with the third THxSYNC pulse is valid data presented/expected.
  - At least two clocks must be driven before the deassertion of the system reset signal, and a minimum of two clocks must be driven after the deassertion of the the system reset signal to ensure complete initialization of the internal circuitry of the TNETX3151 before there is any valid activity across the interface.
  - For receive data, the TNETE2008 asserts the THxCOL signal during the appropriate slot time if it was asserted for any of the four bits of data corresponding to that slot time.
  - For receive data, the TNETE2008 asserts the THxRXDV signal only if there are four valid bits of data in the nibble.

**operating characteristics over recommended operating conditions (see Notes 3 through 6 and Figure 12)†**

NO.	PARAMETER	MIN	MAX	UNIT
7	$t_d(\text{THxEN})$ Delay time, from THxCLK↑ to THxTXEN↑		13.5	ns
7	$t_d(\text{THxTXD})$ Delay time, from THxCLK↑ to THxTXD3–THxTXD0 valid		13.5	ns
7	$t_d(\text{THxRENEG})$ Delay time, from THxCLK↑ to THxRENEG↓		13.5	ns
8	$t_d(\text{THxTXEN})$ Delay time, from THxCLK↑ to THxTXEN↓		0	ns
8	$t_d(\text{THxTXD})$ Delay time, from THxCLK↑ to THxTXD3–THxTXD0 invalid		0	ns
8	$t_d(\text{THxRENEG})$ Delay time, from THxCLK↑ to THxRENEG↑		0	ns

† THx = TH1 and TH2

- NOTES:
- The TNETE2008 must supply at least two THxSYNC pulses under normal conditions before driving valid data on the inputs to the TNETX3151, or before expecting valid data on the outputs from the TNETX3151. This means that at least two full sequences must be executed; only with the third THxSYNC pulse is valid data presented/expected.
  - At least two clocks must be driven before the deassertion of the system reset signal, and a minimum of two clocks must be driven after the deassertion of the the system reset signal to ensure complete initialization of the internal circuitry of the TNETX3151 before there is any valid activity across the interface.
  - For receive data, TNETE2008 asserts the THxCOL signal during the appropriate slot time if it was asserted for any of the four bits of data corresponding to that slot time.
  - For receive data, the TNETE2008 asserts the THxRXDV signal only if there are four valid bits of data in the nibble.



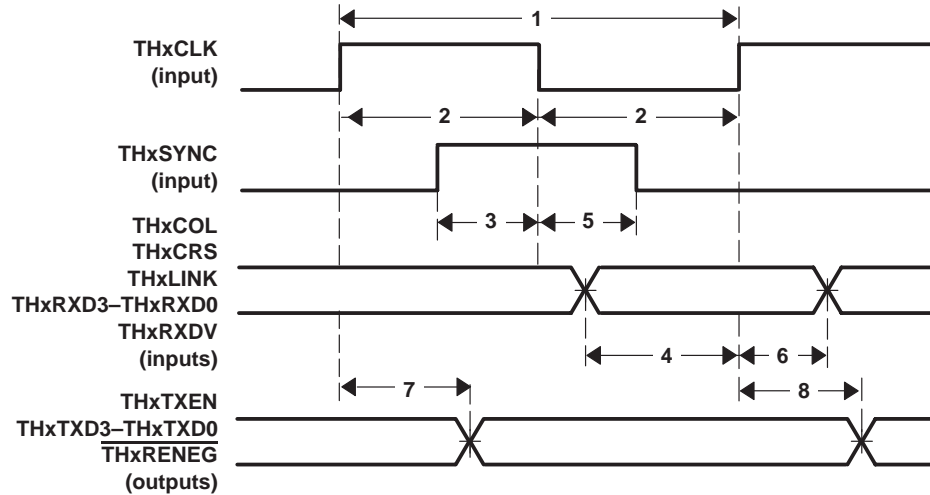


Figure 12. 10-Mbit/s Interface (Ports 04–15)

### 10-/100-Mbit/s MAC interface

Figures 13 and 14 show the timings at 100 Mbit/s and 10 Mbit/s for the 10-/100-Mbit/s port interfaces to the TNETE2101 devices.

### 10-/100-Mbit/s receive ports (12, 13, and 14)

#### timing requirements (see Note 7 and Figure 13)†

NO.		MIN	MAX	UNIT
1	$t_c(\text{MxxRCLK})$ Cycle time, MxxRCLK	25	25	ns
2	$t_w(\text{MxxRCLKL})$ Pulse duration, MxxRCLK low			ns
3	$t_w(\text{MxxRCLKH})$ Pulse duration, MxxRCLK high	14		ns
4	$t_{su}(\text{MxxRXD})$ Setup time, MxxRXD3–MxxRXD0 valid before MxxRCLK↑	5		ns
4	$t_{su}(\text{MxxRXDV})$ Setup time, MxxRXDV valid before MxxRCLK↑	5		ns
4	$t_{su}(\text{MxxRXER})$ Setup time, MxxRXER valid before MxxRCLK↑	5		ns
5	$t_h(\text{MxxRXD})$ Hold time, MxxRXD3–MxxRXD0 valid after MxxRCLK↑	5		ns
5	$t_h(\text{MxxRXDV})$ Hold time, MxxRXDV valid after MxxRCLK↑	5		ns
5	$t_h(\text{MxxRXER})$ Hold time, MxxRXER valid after MxxRCLK↑	5		ns

† xx = ports 12, 13, and 14

NOTE 7: Both MxxCRS and MxxCOL are driven asynchronously by the PHY. MxxRXD3–MxxRXD0 is driven by the PHY on the falling edge of MxxRCLK. MxxRXD3–MxxRXD0 timing must be met during clock periods when MxxRXDV is asserted. MxxRXDV is asserted and deasserted by the PHY on the falling edge of MxxRCLK. MxxRXER is driven by the PHY on the falling edge of MxxRCLK.

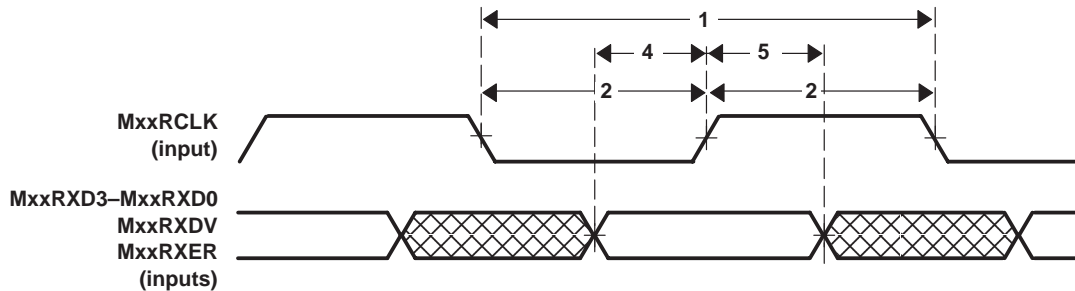


Figure 13. 10-/100-Mbit/s Receive Ports

**TNETX3151**  
**ThunderSWITCH™ 12/3 ETHERNET™ SWITCH**  
**WITH 12 10-MBIT/S PORTS AND 3 10-/100-MBIT/S PORTS**

SPWS048A – MARCH 1998 – REVISED APRIL 1999

**10-/100-Mbit/s transmit ports (12, 13, and 14)**

**timing requirements (see Figure 14)†**

NO.		MIN	MAX	UNIT
1	$t_c(M_{xx}TCLK)$ Cycle time, $M_{xx}TCLK$	25	25	ns
2	$t_w(M_{xx}TCLKL)$ Pulse duration, $M_{xx}TCLK$ low			ns
3	$t_w(M_{xx}TCLKH)$ Pulse duration, $M_{xx}TCLK$ high	14		ns

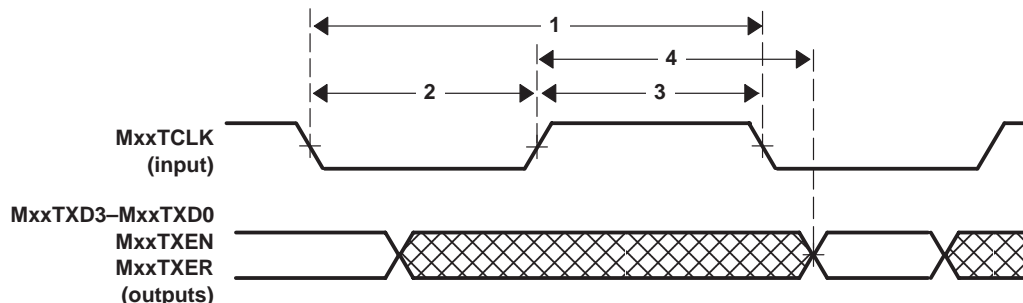
† xx = ports 12, 13, and 14

**operating characteristics over recommended operating conditions (see Note 8 and Figure 14)†**

NO.	PARAMETER	MIN	MAX	UNIT
4	$t_d(M_{xx}TXD)$ Delay time, from $M_{xx}TCLK\uparrow$ to $M_{xx}TXD3$ – $M_{xx}TXD0$ valid	0	25	ns
4	$t_d(M_{xx}TXEN)$ Delay time, from $M_{xx}TCLK\uparrow$ to $M_{xx}TXEN$ valid	0	25	ns
4	$t_d(M_{xx}TXER)$ Delay time, from $M_{xx}TCLK\uparrow$ to $M_{xx}TXER$ valid	0	25	ns

† xx = ports 12, 13, and 14

NOTE 8: Both  $M_{xx}CRS$  and  $M_{xx}COL$  are driven asynchronously by the PHY.  $M_{xx}TXD3$ – $M_{xx}TXD0$  is driven by the reconciliation sublayer synchronous to the  $M_{xx}TCLK$ .  $M_{xx}TXEN$  is asserted and deasserted by the reconciliation sublayer synchronous to the  $M_{xx}TCLK$  rising edge.  $M_{xx}TXER$  is driven synchronous to the rising edge of  $M_{xx}TCLK$ .



**Figure 14. 10-/100-Mbit/s Transmit Ports**

## SDRAM interface

The SDRAM interface observes two types of timing:

- Multicycle timings between commands
- Subcycle timings between signals and DCLK

Figure 15 illustrates the SDRAM interfaces signal timing in which each type of SDRAM command and its interrelated timings are shown. It is not intended to be representative of any particular receive or transmit buffer operation.

### SDRAM command to command (see Figure 15)

SYMBOL	PARAMETER	MIN	MAX	UNIT
$t_{RSA}$	MRS to ACTV or REFR	24		ns
$t_{RC}$	Row cycle time (ACTV to REFR to next ACTV or REFR)	120		ns
$t_{RAS}$	Row active time (ACTV to DCAB)	72		ns
$t_{RP}$	Row recharge time (DCAB to ACTV, REFR, or MRS)	36		ns
$t_{RCD}$	Row to column delay (ACTV to READ or WRT)	36		ns
$t_{AC3}$	Column access time [READ (CAS) latency] (READ to data sample)	36		ns
$n_{CCD}$	Column address to column address (WRT to next READ or WRT, or READ to next READ)	24		ns
$n_{CWL}$	Last data or write to new column address (WRT to next READ or WRT)	24		ns
$t_{RWD}$	Read to write delay (READ to next WRT)	60		ns
$t_{WR}$	Write recovery time (WRT to DCAB)	24		ns

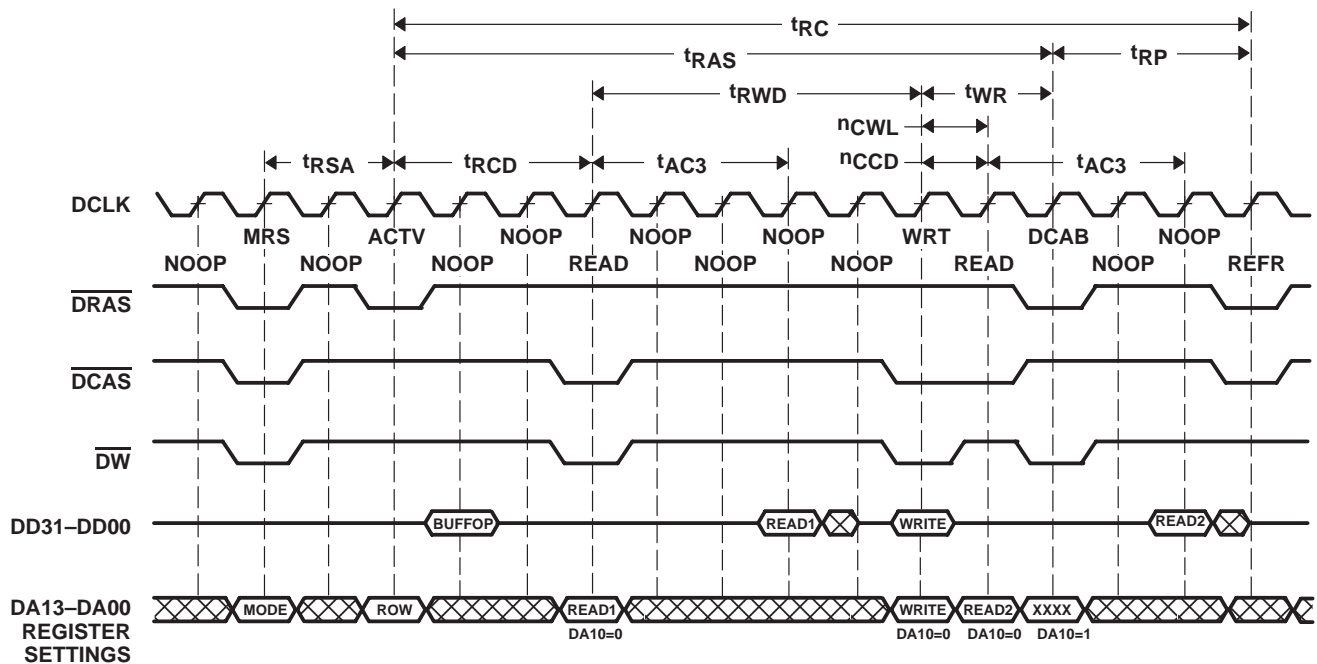


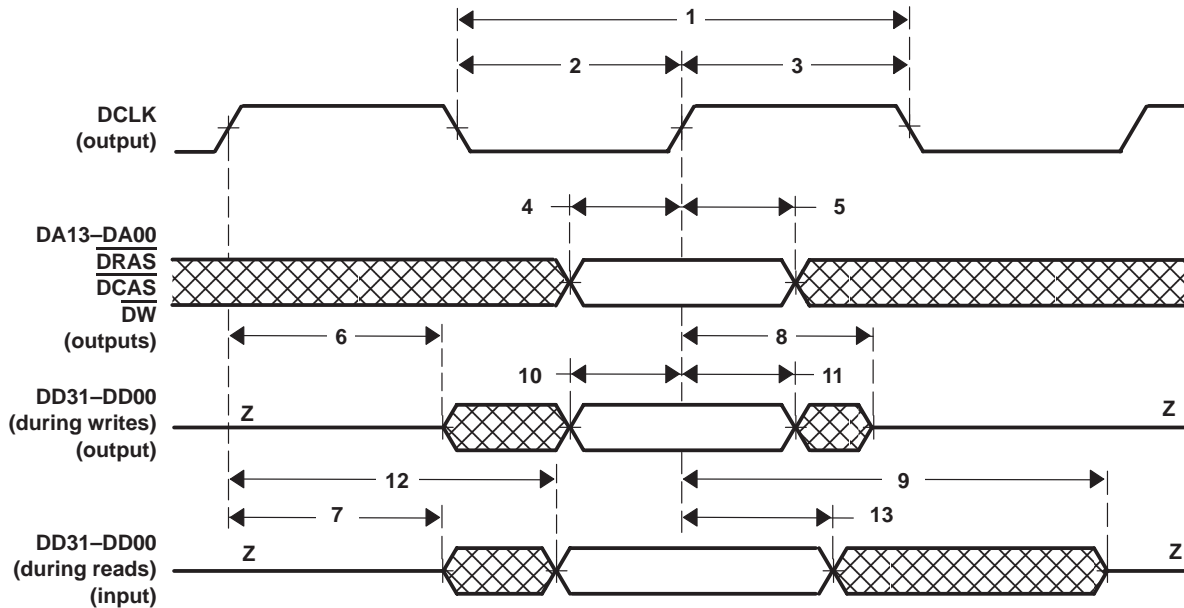
Figure 15. SDRAM Command to Command

**TNETX3151**  
**ThunderSWITCH™ 12/3 ETHERNET™ SWITCH**  
**WITH 12 10-MBIT/S PORTS AND 3 10-/100-MBIT/S PORTS**  
 SPWS048A – MARCH 1998 – REVISED APRIL 1999

**SDRAM subcycle**

**operating characteristics over recommended operating conditions (see Figure 16)**

NO.	PARAMETER	MIN	MAX	UNIT
1	$t_c(\text{DCLK})$ Cycle time, DCLK	12	12	ns
2	$t_w(\text{DCLKL})$ Pulse duration, DCLK low	5		ns
3	$t_w(\text{DCLKH})$ Pulse duration, DCLK high	5		ns
4	$t_d(\text{DCLK})$ Delay time, from DA, DRAS, DCAS, and DW valid to DCLK↑	4		ns
5	$t_d(\text{DA})$ Delay time, from DCLK↑ to DA, DRAS, DCAS, and DW invalid	2		ns
6	$t_{en}(\text{DDW})$ Enable time, from DCLK↑ to before DD31–DD00 driven (write cycle)	0		ns
7	$t_{en}(\text{DDR})$ Enable time, from DCLK↑ to before DD31–DD00 driven (read cycle)	0		ns
8	$t_{dis}(\text{DDW})$ Disable time, from DCLK↑ to after DD31–DD00 (after final write cycle) to Z state		10	ns
9	$t_{dis}(\text{DDR})$ Disable time, from DCLK↑ to after DD31–DD00 (after final read cycle) to Z state		11	ns
10	$t_d(\text{DDW}1)$ Delay time, from DD valid to DCLK↑ (write cycle)	4		ns
11	$t_d(\text{DDW}2)$ Delay time, from DCLK↑ to DD31–DD00 Z state (write cycle)	2		ns
12	$t_d(\text{DDR}1)$ Delay time, from DCLK↑ to DD31–DD00 valid (read cycle)		10	ns
13	$t_d(\text{DDR}2)$ Delay time, from DCLK↑ to DD31–DD00 invalid (read cycle)	0		ns
	$t_t$ Transition time, rise and fall, all signals	1	4	ns



**Figure 16. SDRAM Subcycle**

## DIO/DMA interface

The DIO interface is asynchronous to allow easy adaptation to a range of microprocessor devices and computer system interfaces.

### DIO/DMA write cycle

#### timing requirements (see Figure 17)

NO.		MIN	MAX	UNIT
1	$t_w(\overline{SCS})$ Pulse duration, $\overline{SCS}$ low	24		ns
2	$t_w(\overline{SCSH})$ Pulse duration, $\overline{SCS}$ high		12	ns
3	$t_{su}(\overline{SRNW})$ Setup time, $\overline{SRNW}$ low before $\overline{SCS}\downarrow$	0		ns
4	$t_{su}(\overline{SAD})$ Setup time, $\overline{SAD1}\text{--}\overline{SAD0}$ and $\overline{SDMA}$ valid before $\overline{SCS}\downarrow$	0		ns
5	$t_{su}(\overline{SDATA})$ Setup time, $\overline{SDATA7}\text{--}\overline{SDATA0}$ valid before $\overline{SCS}\downarrow$	0		ns

#### operating characteristics over recommended operating conditions (see Figure 17)

NO.	PARAMETER	MIN	MAX	UNIT
6	$t_w(\overline{SRDYH})$ Pulse duration, $\overline{SRDY}$ high		12	ns
7	$t_d(\overline{SRNW})$ Delay time, from $\overline{SRDY}\downarrow$ to $\overline{SRNW}\uparrow$	0		ns
8	$t_d(\overline{SAD})$ Delay time, from $\overline{SRDY}\downarrow$ to $\overline{SAD1}\text{--}\overline{SAD0}$ and $\overline{SDMA}$ invalid	0		ns
9	$t_d(\overline{SDATA})$ Delay time, from $\overline{SRDY}\downarrow$ to $\overline{SDATA7}\text{--}\overline{SDATA0}$ invalid	0		ns
10	$t_d(\overline{SCS})$ Delay time, from $\overline{SRDY}\downarrow$ to $\overline{SCS}\uparrow$	0		ns
11	$t_d(\overline{SRDY})_1$ Delay time, from $\overline{SCS}\downarrow$ to $\overline{SRDY}\uparrow$	0		ns
12	$t_d(\overline{SRDY})_2$ Delay time, from $\overline{SCS}\downarrow$ to $\overline{SRDY}\downarrow\uparrow$	0		ns
13	$t_d(\overline{SRDY})_3$ Delay time, from $\overline{SCS}\uparrow$ to $\overline{SRDY}\uparrow$	0	24	ns

† When the switch is performing certain internal operations (e.g., EEPROM load), there may be a considerable delay (approximately 25–100 ms) between  $\overline{SCS}$  being asserted and  $\overline{SRDY}$  being asserted.

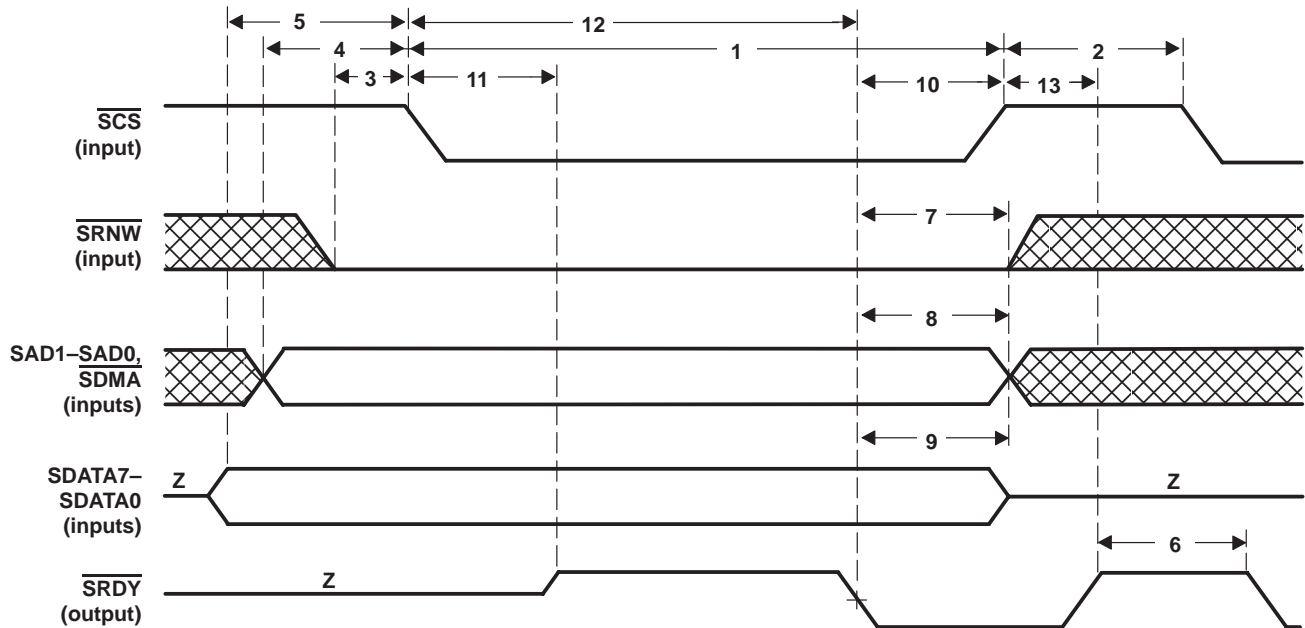


Figure 17. DIO/DMA Write Cycle

**TNETX3151**  
**ThunderSWITCH™ 12/3 ETHERNET™ SWITCH**  
**WITH 12 10-MBIT/S PORTS AND 3 10-/100-MBIT/S PORTS**  
 SPWS048A – MARCH 1998 – REVISED APRIL 1999

**DIO/DMA read cycle**

**timing requirements (see Figure 18)**

NO.		MIN	MAX	UNIT
1	$t_w(\overline{\text{SCSL}})$ Pulse duration, $\overline{\text{SCS}}$ low			ns
2	$t_w(\overline{\text{SCSH}})$ Pulse duration, $\overline{\text{SCS}}$ high		14	ns
3	$t_{su}(\overline{\text{SRNW}})$ Setup time, $\overline{\text{SRNW}}$ high before $\overline{\text{SCS}}\downarrow$	0		ns
4	$t_{su}(\text{SAD})$ Setup time, SAD1–SAD0 and $\overline{\text{SDMA}}$ valid before $\overline{\text{SCS}}\downarrow$	0		ns

**operating characteristics over recommended operating conditions (see Figure 18)**

NO.	PARAMETER	MIN	MAX	UNIT
5	$t_w(\overline{\text{SRDYH}})$ Pulse duration, $\overline{\text{SRDY}}$ high		12	ns
6	$t_d(\overline{\text{SRNW}})$ Delay time, from $\overline{\text{SRDY}}\downarrow$ to $\overline{\text{SRNW}}\downarrow$	0		ns
7	$t_d(\text{SAD})$ Delay time, from $\overline{\text{SRDY}}\downarrow$ to SAD1–SAD0 and $\overline{\text{SDMA}}$ invalid	0		ns
8	$t_d(\overline{\text{SCS}})$ Delay time, from $\overline{\text{SRDY}}\downarrow$ to $\overline{\text{SCS}}\uparrow$	0		ns
9	$t_d(\overline{\text{SRDY}})$ Delay time, from $\overline{\text{SDATA7}}\text{--}\overline{\text{SDATA0}}$ to $\overline{\text{SRDY}}\downarrow$	0		ns
10	$t_d(\overline{\text{SRDYZH}})$ Delay time, from $\overline{\text{SCS}}\downarrow$ to $\overline{\text{SRDY}}\uparrow$	0		ns
11	$t_d(\overline{\text{SRDY}})_2$ Delay time, from $\overline{\text{SCS}}\downarrow$ to $\overline{\text{SRDY}}\downarrow\uparrow$	0		ns
12	$t_d(\overline{\text{SDATAZ}})$ Delay time, from $\overline{\text{SCS}}\uparrow$ to $\overline{\text{SDATA7}}\text{--}\overline{\text{SDATA0}}$ Z state	0	6	ns
13	$t_d(\overline{\text{SRDY}})_3$ Delay time, from $\overline{\text{SCS}}\uparrow$ to $\overline{\text{SRDY}}\uparrow$	0	12	ns

† When the switch is performing certain internal operations (e.g., EEPROM load), there may be a considerable delay (approximately 25–100 ms) between  $\overline{\text{SCS}}$  being asserted and  $\overline{\text{SRDY}}$  being asserted.

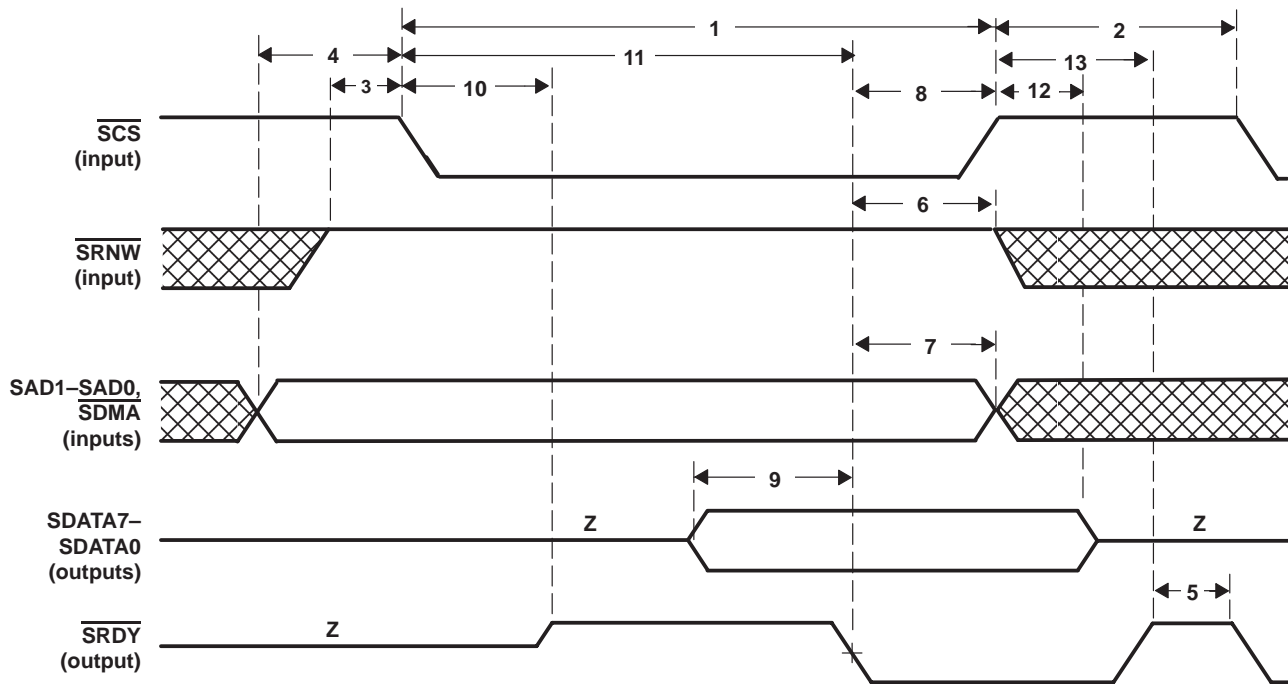


Figure 18. DIO/DMA Read Cycle

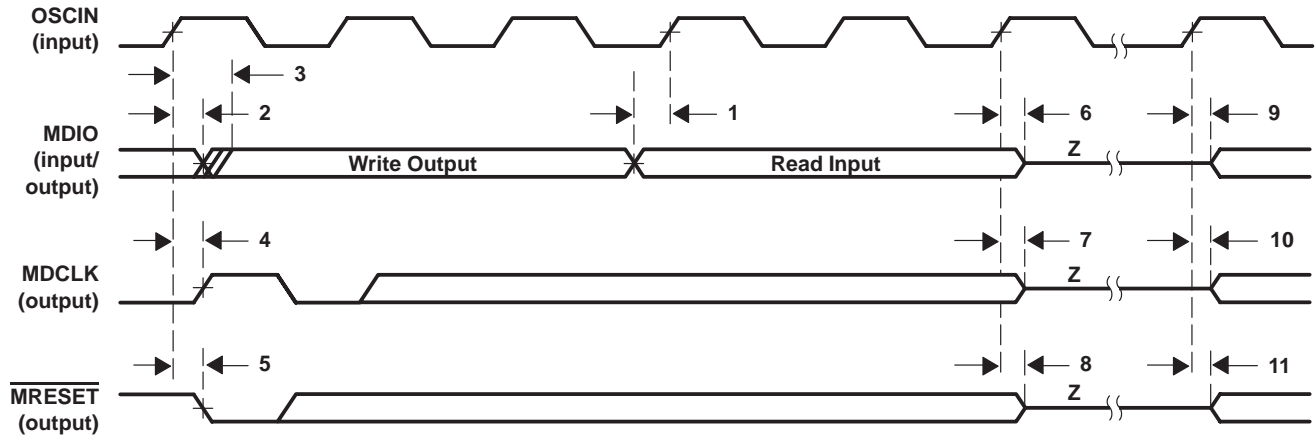
**serial MII management interface**

**timing requirements (see Figure 19)**

NO.		MIN	MAX	UNIT
1	$t_{su}(\text{MDIO})$ Setup time, MDIO valid before $\text{OSCIN}\uparrow$ , read	7		ns
2	$t_h(\text{MDIO})$ Hold time, MDIO valid after $\text{OSCIN}\uparrow$ , read	3		ns

**operating characteristics over recommended operating conditions (see Figure 19)**

NO.	PARAMETER	MIN	MAX	UNIT
3	$t_d(\text{MDIO})$ Delay time, from $\text{OSCIN}\uparrow$ to MDIO valid, write		11	ns
4	$t_d(\text{MDCLK})$ Delay time, from $\text{OSCIN}\uparrow$ to $\text{MDCLK}\uparrow$		11	ns
5	$t_d(\text{MRESET})$ Delay time, from $\text{OSCIN}\uparrow$ to $\text{MRESET}\downarrow$		11	ns
6	$t_{dis}(\text{MDIO})$ Disable time, from $\text{OSCIN}\uparrow$ to after MDIO to Z state, read		11	ns
7	$t_{dis}(\text{MDCLK})$ Disable time, from $\text{OSCIN}\uparrow$ to after MDCLK to Z state		11	ns
8	$t_{dis}(\text{MRESET})$ Disable time, from $\text{OSCIN}\uparrow$ to after $\text{MRESET}$ to Z state		11	ns
9	$t_{en}(\text{MDIO})$ Enable time, from $\text{OSCIN}\uparrow$ to before MDIO valid		11	ns
10	$t_{en}(\text{MDCLK})$ Enable time, from $\text{OSCIN}\uparrow$ to before MDCLK valid		11	ns
11	$t_{en}(\text{MRESET})$ Enable time, from $\text{OSCIN}\uparrow$ to before $\text{MRESET}$ valid		11	ns



**Figure 19. Serial MII Management Read/Write Cycle**

**TNETX3151**  
**ThunderSWITCH™ 12/3 ETHERNET™ SWITCH**  
**WITH 12 10-MBIT/S PORTS AND 3 10-/100-MBIT/S PORTS**

SPWS048A – MARCH 1998 – REVISED APRIL 1999

**EEPROM interface**

operating characteristics over recommended operating conditions (see Figure 20)

NO.	PARAMETER	TNETX3150		TNETX3150A		UNIT
		MIN	MAX	MIN	MAX	
	$f_{\text{clock}}$ (ECLK) Clock frequency, ECLK		98		98	kHz
1	$t_d$ (ECLKH-EDIO $\downarrow$ ) Delay time, from ECLK $\uparrow$ to EDIO $\downarrow$ (see Note 9)	5		5		$\mu\text{s}$
2	$t_d$ (EDIO $\downarrow$ -ECLK $\downarrow$ ) Delay time, from EDIO $\downarrow$ to ECLK $\downarrow$ (see Note 9)	5		5		$\mu\text{s}$
3	$t_d$ (ECLK $\downarrow$ -EDIOX) Delay time, from ECLK $\downarrow$ to EDIO changing (see Note 10)	0		0		$\mu\text{s}$
4	$t_d$ (EDIOV-ECLKH) Delay time, from EDIO valid output to ECLK $\uparrow$	0		0		$\mu\text{s}$
5	$t_d$ (ECLK $\downarrow$ -EDIOV) Delay time, from ECLK $\downarrow$ to EDIO valid	0		0		$\mu\text{s}$
6	$t_d$ (ECLK $\downarrow$ -EDIOX) Delay time, from ECLK $\downarrow$ to EDIO changing (see Note 11)	0		0		$\mu\text{s}$
7	$t_d$ (ECLKH-EDIOX) Delay time, from ECLK $\uparrow$ to EDIO invalid	5		5		$\mu\text{s}$
8	$t_d$ (EDIOV-ECLKH) Delay time, from EDIO valid input to ECLK $\uparrow$	10		10		$\mu\text{s}$

- NOTES: 9. This is a start condition delay time during ECLK high.  
 10. This is a changing-data condition delay time for output EDIO.  
 11. This is a changing-data condition delay time for input EDIO.

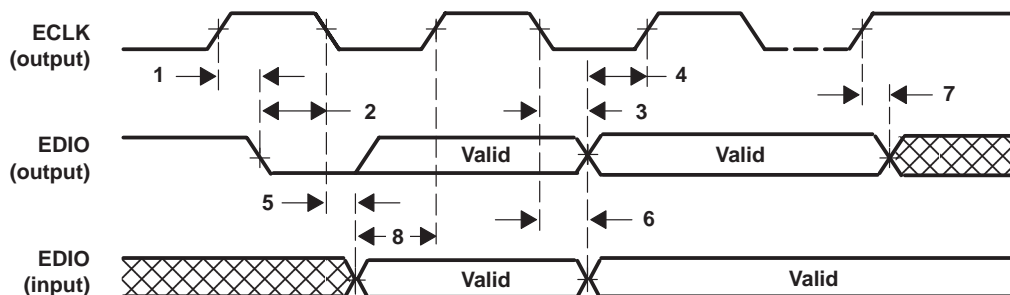


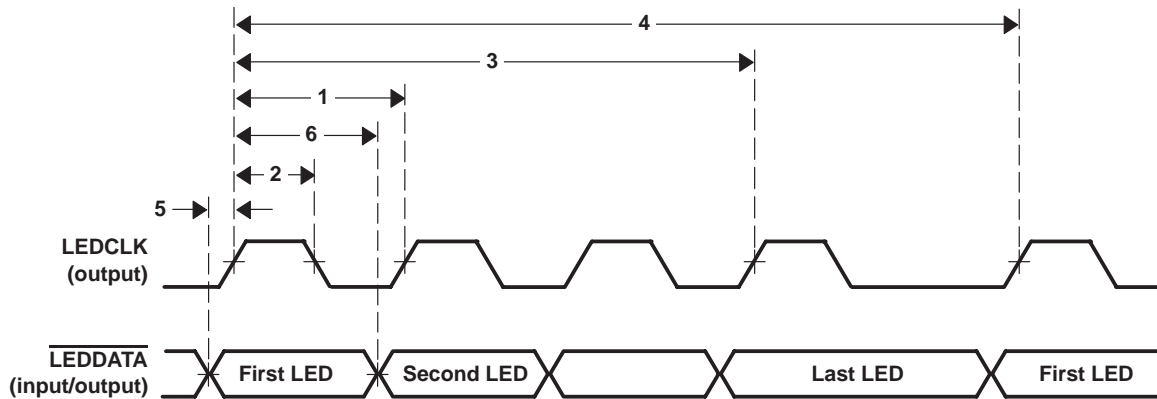
Figure 20. EEPROM

**LED interface**

**operating characteristics over recommended operating conditions (see Figure 21)**

NO.	PARAMETER	MIN	MAX	UNIT
1	$t_c(\text{LEDCLK})$ Cycle time, LEDCLK		96	ns
2	$t_w(\text{LEDCLKH})$ Pulse duration, LEDCLK high	38	58	ns
3	Number of LEDCLK pulses in burst		48†	
4	$t_c(\text{BURST})$ Cycle time, LEDCLK burst		62	ms
5	$t_d(\text{LEDCLK})$ Delay time, from LEDDATA to LEDCLK↑		12	μs
6	$t_d(\text{LEDDATA})$ Delay time, from LEDCLK↑ to LEDDATA (1st LED invalid)		84	μs

† During hard reset, LEDCLK runs continuously.



**Figure 21. LED**

**TNETX3151**  
**ThunderSWITCH™ 12/3 ETHERNET™ SWITCH**  
**WITH 12 10-MBIT/S PORTS AND 3 10-/100-MBIT/S PORTS**

SPWS048A – MARCH 1998 – REVISED APRIL 1999

**power-up OSCIN and  $\overline{\text{RESET}}$**

timing requirements (see Figure 22)

NO.		MIN	NOM	MAX	UNIT
	Frequency drift, OSCIN clock			±50	ppm
1	$t_c(\text{OSCIN})$ Cycle time, OSCIN		12		ns
2	$t_w(\text{OSCINL})$ Pulse duration, OSCIN low	4.8		7.2	ns
3	$t_w(\text{OSCINH})$ Pulse duration, OSCIN high	4.8		7.2	ns
4	$t_w(\overline{\text{RESET}})$ Pulse duration, $\overline{\text{RESET}}$ low	200			μs
5	$t_{su}(\overline{\text{RESET}})$ Setup time, $\overline{\text{RESET}}$ low before OSCIN↑	7			ns
6	$t_h(\overline{\text{RESET}})$ Hold time, $\overline{\text{RESET}}$ low after OSCIN↑	3			ns
7	$t_d(\text{OSCIN})$ Delay time, from OSCIN invalid to OSCIN valid (stable)	25			ms
8	$t_d(\overline{\text{RESET}})$ Delay time, from OSCIN stable to $\overline{\text{RESET}}$ ↑	25			ms
9	$t_t(\text{OSCIN})$ Transition time, OSCIN rise and fall			2	ns

$\overline{\text{RESET}}$  must be held low at least 25 ms after both power supplies are stable and OSCIN has reached its stable operating frequency.  $\overline{\text{RESET}}$  can be set to 0 for a minimum of 200 μs to reset the device.

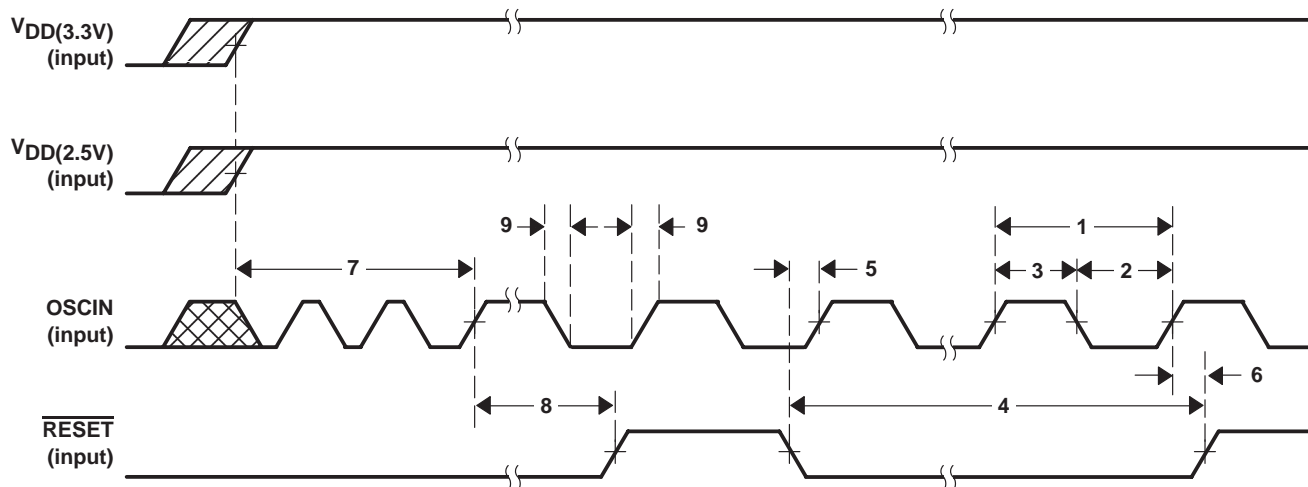
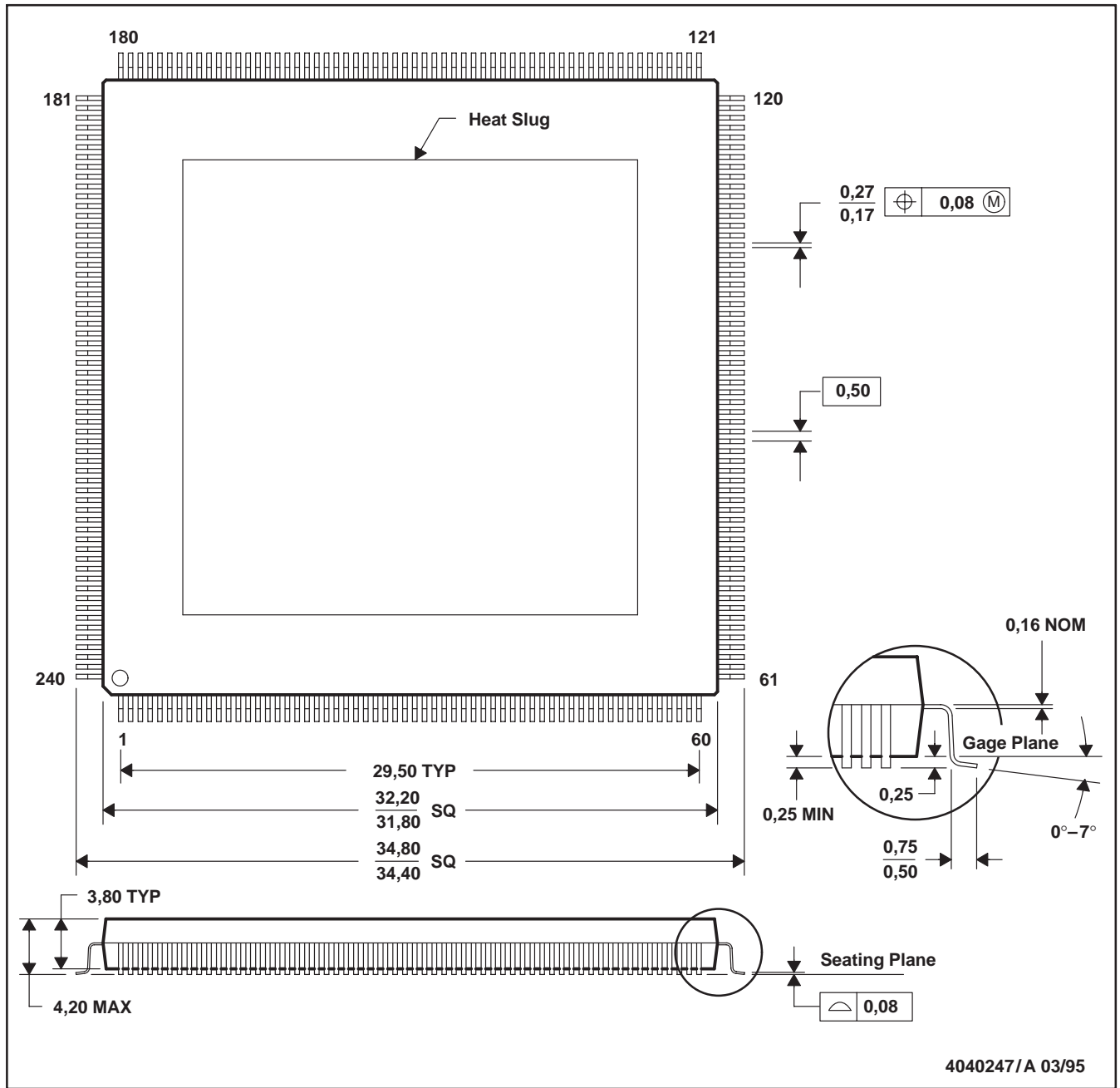


Figure 22. Power-Up OSCIN and  $\overline{\text{RESET}}$

**MECHANICAL DATA**

**PGV (S-PQFP-G240)**

**PLASTIC QUAD FLATPACK (DIE-DOWN)**



- NOTES: A. All linear dimensions are in millimeters.  
 B. This drawing is subject to change without notice.  
 C. Thermally enhanced molded plastic package with a heat slug (HSL)

**PACKAGING INFORMATION**

Orderable Device	Status <sup>(1)</sup>	Package Type	Package Drawing	Pins	Package Qty	Eco Plan <sup>(2)</sup>	Lead/Ball Finish	MSL Peak Temp <sup>(3)</sup>
TNETX3151PGV	OBSOLETE	HQFP	PGV	240		TBD	Call TI	Call TI

<sup>(1)</sup> The marketing status values are defined as follows:

**ACTIVE:** Product device recommended for new designs.

**LIFEBUY:** TI has announced that the device will be discontinued, and a lifetime-buy period is in effect.

**NRND:** Not recommended for new designs. Device is in production to support existing customers, but TI does not recommend using this part in a new design.

**PREVIEW:** Device has been announced but is not in production. Samples may or may not be available.

**OBSOLETE:** TI has discontinued the production of the device.

<sup>(2)</sup> Eco Plan - The planned eco-friendly classification: Pb-Free (RoHS), Pb-Free (RoHS Exempt), or Green (RoHS & no Sb/Br) - please check <http://www.ti.com/productcontent> for the latest availability information and additional product content details.

**TBD:** The Pb-Free/Green conversion plan has not been defined.

**Pb-Free (RoHS):** TI's terms "Lead-Free" or "Pb-Free" mean semiconductor products that are compatible with the current RoHS requirements for all 6 substances, including the requirement that lead not exceed 0.1% by weight in homogeneous materials. Where designed to be soldered at high temperatures, TI Pb-Free products are suitable for use in specified lead-free processes.

**Pb-Free (RoHS Exempt):** This component has a RoHS exemption for either 1) lead-based flip-chip solder bumps used between the die and package, or 2) lead-based die adhesive used between the die and leadframe. The component is otherwise considered Pb-Free (RoHS compatible) as defined above.

**Green (RoHS & no Sb/Br):** TI defines "Green" to mean Pb-Free (RoHS compatible), and free of Bromine (Br) and Antimony (Sb) based flame retardants (Br or Sb do not exceed 0.1% by weight in homogeneous material)

<sup>(3)</sup> MSL, Peak Temp. -- The Moisture Sensitivity Level rating according to the JEDEC industry standard classifications, and peak solder temperature.

**Important Information and Disclaimer:** The information provided on this page represents TI's knowledge and belief as of the date that it is provided. TI bases its knowledge and belief on information provided by third parties, and makes no representation or warranty as to the accuracy of such information. Efforts are underway to better integrate information from third parties. TI has taken and continues to take reasonable steps to provide representative and accurate information but may not have conducted destructive testing or chemical analysis on incoming materials and chemicals. TI and TI suppliers consider certain information to be proprietary, and thus CAS numbers and other limited information may not be available for release.

In no event shall TI's liability arising out of such information exceed the total purchase price of the TI part(s) at issue in this document sold by TI to Customer on an annual basis.

## IMPORTANT NOTICE

Texas Instruments Incorporated and its subsidiaries (TI) reserve the right to make corrections, modifications, enhancements, improvements, and other changes to its products and services at any time and to discontinue any product or service without notice. Customers should obtain the latest relevant information before placing orders and should verify that such information is current and complete. All products are sold subject to TI's terms and conditions of sale supplied at the time of order acknowledgment.

TI warrants performance of its hardware products to the specifications applicable at the time of sale in accordance with TI's standard warranty. Testing and other quality control techniques are used to the extent TI deems necessary to support this warranty. Except where mandated by government requirements, testing of all parameters of each product is not necessarily performed.

TI assumes no liability for applications assistance or customer product design. Customers are responsible for their products and applications using TI components. To minimize the risks associated with customer products and applications, customers should provide adequate design and operating safeguards.

TI does not warrant or represent that any license, either express or implied, is granted under any TI patent right, copyright, mask work right, or other TI intellectual property right relating to any combination, machine, or process in which TI products or services are used. Information published by TI regarding third-party products or services does not constitute a license from TI to use such products or services or a warranty or endorsement thereof. Use of such information may require a license from a third party under the patents or other intellectual property of the third party, or a license from TI under the patents or other intellectual property of TI.

Reproduction of TI information in TI data books or data sheets is permissible only if reproduction is without alteration and is accompanied by all associated warranties, conditions, limitations, and notices. Reproduction of this information with alteration is an unfair and deceptive business practice. TI is not responsible or liable for such altered documentation. Information of third parties may be subject to additional restrictions.

Resale of TI products or services with statements different from or beyond the parameters stated by TI for that product or service voids all express and any implied warranties for the associated TI product or service and is an unfair and deceptive business practice. TI is not responsible or liable for any such statements.

TI products are not authorized for use in safety-critical applications (such as life support) where a failure of the TI product would reasonably be expected to cause severe personal injury or death, unless officers of the parties have executed an agreement specifically governing such use. Buyers represent that they have all necessary expertise in the safety and regulatory ramifications of their applications, and acknowledge and agree that they are solely responsible for all legal, regulatory and safety-related requirements concerning their products and any use of TI products in such safety-critical applications, notwithstanding any applications-related information or support that may be provided by TI. Further, Buyers must fully indemnify TI and its representatives against any damages arising out of the use of TI products in such safety-critical applications.

TI products are neither designed nor intended for use in military/aerospace applications or environments unless the TI products are specifically designated by TI as military-grade or "enhanced plastic." Only products designated by TI as military-grade meet military specifications. Buyers acknowledge and agree that any such use of TI products which TI has not designated as military-grade is solely at the Buyer's risk, and that they are solely responsible for compliance with all legal and regulatory requirements in connection with such use.

TI products are neither designed nor intended for use in automotive applications or environments unless the specific TI products are designated by TI as compliant with ISO/TS 16949 requirements. Buyers acknowledge and agree that, if they use any non-designated products in automotive applications, TI will not be responsible for any failure to meet such requirements.

Following are URLs where you can obtain information on other Texas Instruments products and application solutions:

### Products

Amplifiers	<a href="http://amplifier.ti.com">amplifier.ti.com</a>
Data Converters	<a href="http://dataconverter.ti.com">dataconverter.ti.com</a>
DLP® Products	<a href="http://www.dlp.com">www.dlp.com</a>
DSP	<a href="http://dsp.ti.com">dsp.ti.com</a>
Clocks and Timers	<a href="http://www.ti.com/clocks">www.ti.com/clocks</a>
Interface	<a href="http://interface.ti.com">interface.ti.com</a>
Logic	<a href="http://logic.ti.com">logic.ti.com</a>
Power Mgmt	<a href="http://power.ti.com">power.ti.com</a>
Microcontrollers	<a href="http://microcontroller.ti.com">microcontroller.ti.com</a>
RFID	<a href="http://www.ti-rfid.com">www.ti-rfid.com</a>
RF/IF and ZigBee® Solutions	<a href="http://www.ti.com/lprf">www.ti.com/lprf</a>

### Applications

Audio	<a href="http://www.ti.com/audio">www.ti.com/audio</a>
Automotive	<a href="http://www.ti.com/automotive">www.ti.com/automotive</a>
Broadband	<a href="http://www.ti.com/broadband">www.ti.com/broadband</a>
Digital Control	<a href="http://www.ti.com/digitalcontrol">www.ti.com/digitalcontrol</a>
Medical	<a href="http://www.ti.com/medical">www.ti.com/medical</a>
Military	<a href="http://www.ti.com/military">www.ti.com/military</a>
Optical Networking	<a href="http://www.ti.com/opticalnetwork">www.ti.com/opticalnetwork</a>
Security	<a href="http://www.ti.com/security">www.ti.com/security</a>
Telephony	<a href="http://www.ti.com/telephony">www.ti.com/telephony</a>
Video & Imaging	<a href="http://www.ti.com/video">www.ti.com/video</a>
Wireless	<a href="http://www.ti.com/wireless">www.ti.com/wireless</a>

Mailing Address: Texas Instruments, Post Office Box 655303, Dallas, Texas 75265  
Copyright © 2009, Texas Instruments Incorporated