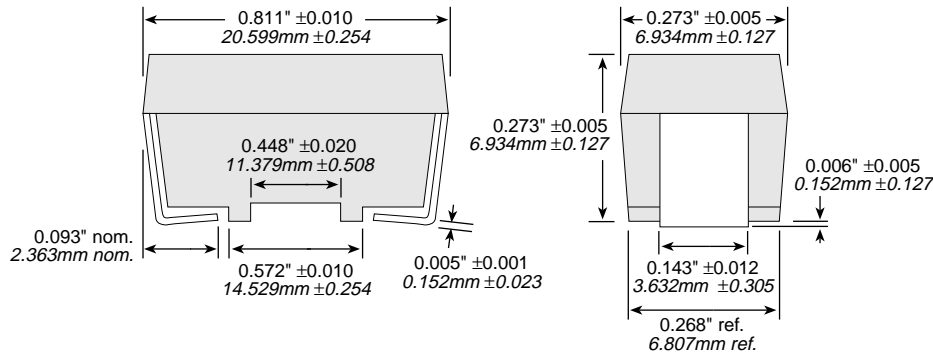
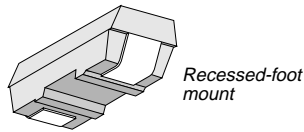


# PSM Series<sup>®</sup>

## High-Current Surface-Mount Inductors



## FEATURES

- 750 pieces per 13.5 inch reel, 32mm tape
- Flexible J-bend terminal or superior solder-joint integrity
- Recessed base for easy cleanup after reflow soldering
- 25 Standard inductance values, other non-standard values and tolerances also available

## SPECIFICATIONS

**Package:** epoxy molded with ferrite core

**Operating temperature:** -55°C TO 125°C

**Saturation current:** The listed saturation current is the approximate value that will reduce the initial inductance by 5%. In order to obtain the highest possible saturation (incremental) current, a low resistivity ferrite core is used for this series. The core will appear as a resistor of about 1,000 ohms in parallel with the winding and should be taken into consideration in circuits with a high AC voltage (Ripple).

## STOCK PART NUMBERS

Part Number	Nom. inductance (@ 1kHz ±10% μH)	DCR Max. (ohms)	SRF min. (mHz)	Saturation current† (mA DC)	Rated current (mA DC)	Part Number	Nom. inductance (@ 1kHz ±10% μH)	DCR Max. (ohms)	SRF min. (mHz)	Saturation current† (mA DC)	Rated current (mA DC)
PSM20EA102K	10	0.033	9.0	4.10	1.28	PSM20EA103K	100	0.208	2.1	1.20	0.632
PSM20EA122K	12	0.037	8.0	3.60	1.28	PSM20EA123K	120	0.283	1.9	1.10	0.508
PSM20EA152K	15	0.040	7.0	3.30	1.28	PSM20EA153K	150	0.340	1.7	1.00	0.508
PSM20EA182K	18	0.044	6.2	3.00	1.28	PSM20EA183K	180	0.362	1.5	0.950	0.508
PSM20EA222K	22	0.050	5.6	2.70	1.28	PSM20EA223K	220	0.430	1.3	0.860	0.508
PSM20EA272K	27	0.058	5.0	2.50	1.28	PSM20EA273K	270	0.557	1.2	0.770	0.400
PSM20EA332K	33	0.075	4.4	2.20	1.008	PSM20EA333K	330	0.665	1.0	0.700	0.400
PSM20EA392K	39	0.094	3.8	2.00	0.804	PSM20EA393K	390	0.772	0.90	0.640	0.400
PSM20EA472K	47	0.109	3.4	1.80	0.804	PSM20EA473K	470	1.15	0.80	0.590	0.315
PSM20EA562K	56	0.140	3.0	1.70	0.804	PSM20EA563K	560	1.27	0.72	0.540	0.315
PSM20EA682K	68	0.145	2.7	1.50	0.804	PSM20EA683K	680	1.61	0.64	0.490	0.250
PSM20EA822K	82	0.152	2.4	1.40	0.804	PSM20EA823K	820	1.96	0.56	0.440	0.200
						PSM20EA104K	1,000	2.30	0.50	0.400	0.200