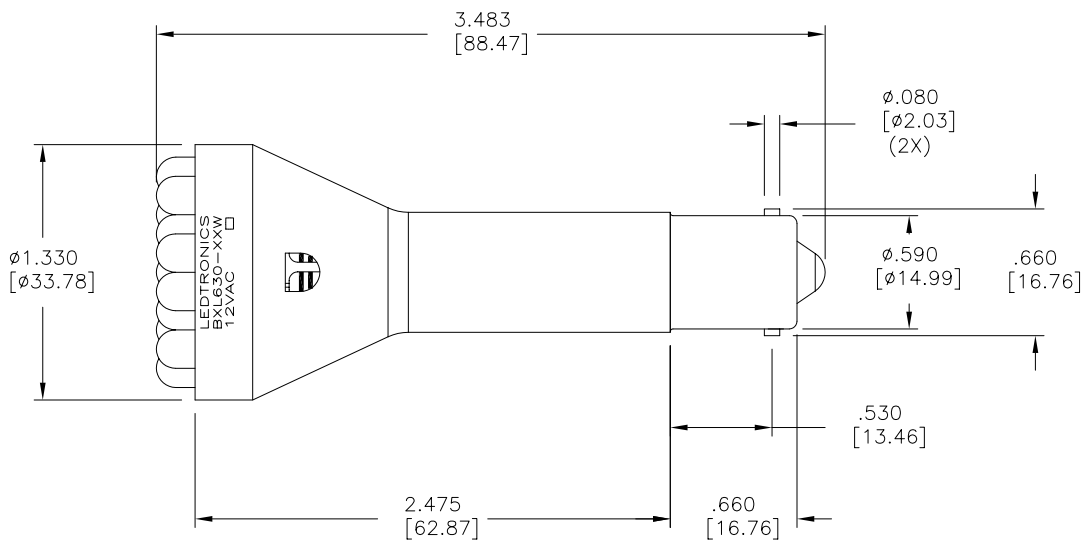


LTR	REVISION	DATE	APPD
-	RELEASED	03-16-12	



NOTES:

1. ALL DIMS ARE IN INCHES [MILLIMETERS].
2. SLEEVE MATERIAL: RYNITE FR530
3. BASE MATERIAL: BRASS

REVISION NOTIFICATION
<input type="checkbox"/> PMA
<input type="checkbox"/> UL
<input type="checkbox"/> MADE IN USA
<input type="checkbox"/> CUSTOMER _____
<input type="checkbox"/> OTHER

BXL630-SIW-012AM	WARM WHITE	12VAC	120-170	1.7W	144cd	2800K~3200K	30°-40°
BXL630-SIW-012AS	WARM WHITE	12VAC	100-150	1.7W	275cd	2800K~3200K	15°-25°
BXL630-TPW-012AM	TRUE WHITE	12VAC	120-170	1.7W	207cd	4800K~5200K	30°-40°
BXL630-TPW-012AS	TRUE WHITE	12VAC	100-150	1.7W	252cd	4800K~5200K	15°-25°
LEDTRONICS PART NO.	COLOR EMITTED	INPUT VOLTAGE	CURRENT (mA)	ENERGY USED (WATTS)	LIGHT OUTPUT PER LED (lv, cd)	COLOR TEMP. (Kelvin)	VIEWING ANGLE
ELECTRICAL TEST							

LED[®]
LEDTRONICS,™
23105 KASHIWA COURT
TORRANCE, CA 90505

-PROPRIETARY-
This document contains Proprietary information of LEDTRONICS, INC. It may not be copied, used or disclosed for any purpose without the prior express written consent of LEDTRONICS, INC.

.XXX ± .010 TOLERANCE PER ANSI-Y14.5
.XX ± .025 (UNLESS OTHERWISE STATED)
ANGLES ± 0',30'
FRACT. ± 1/32

TITLE							
BXL630-XXW-012AX							
DWG NO	SCALE	SHEET	DATE				
BXL630-12VAC	1:1	1 OF 1	03-16-12				
CODE IDENT NO.	DWG BY	CHK BY	QA	RD	MFG	R&D	
8Z410	MM				LD	BJ	
	03-16-12		03-19-12		03-19-12		03-19-12