

D/A-CONVERTER 8-BIT - OUTPUT 0 ... 10V

IN: 8 Bit - OUT: 0-10 VDC

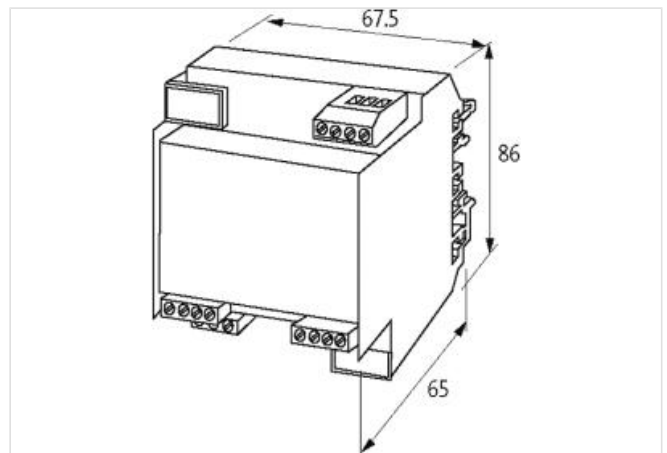
D/A converter

8 Bit

0...10 V

Input and output galvanically separated

For the converters with voltage output, the maximum output signal can be set to the operating voltage minus 2 V. Due to an internal current limitation the outputs are short-circuit proof and overload protected.

[Link to Product](#)**Illustration**

Product may differ from Image

**Commercial data**

ECLASS-6.0	27210990
ECLASS-6.1	27210990
ECLASS-7.0	27210990
ECLASS-8.0	27210990
ECLASS-9.0	27210990
ECLASS-10.1	27210990
ECLASS-11.1	27210990
ECLASS-12.0	27210990
ETIM-5.0	EC002477
customs tariff number	85437090
GTIN	4048879028639
Packaging unit	1

Electrical data

Accuracy (of full scale)	1 %
--------------------------	-----

Electrical data | Supply

Operating voltage DC min.	21 V
Operating voltage DC max.	30 V
Operating current max.	150 mA

Open-circuit current 100 mA

Electrical data | Input

Input signal min.	0 V
Input signal max.	30 V
Input voltage DC	24 V
Input voltage DC log 0 max.	6 V
Input voltage DC log 1 min.	16 V
Input current max.	10 mA

Electrical data | Output

Output current max. 0,04 A

Device protection | Electrical

Rated surge voltage 2,5 kV

Mechanical data | Mounting data

Mounting method	geschnappt
Suitable for mounting type	mounting rail, (EN 60715)
Height	65 mm
Width	67,5 mm
Depth	86 mm

Environmental characteristics | Climatic

Operating temperature min.	0 °C
Operating temperature max.	50 °C

Connection type 2

Connection	Screw terminals SK
Family construction form	terminal
Gender	female
No. of poles	6
PIN 1	+ US
PIN 2	+ US
PIN 3	0 V
PIN 4	0 V
PIN 5	U Out
PIN 6	U Out
Connection	Screw terminals SK
Family construction form	terminal
Gender	female
No. of poles	9
PIN 1	D 8
PIN 2	D 7
PIN 3	D 6
PIN 4	D 5
PIN 5	D 4
PIN 6	D 3
PIN 7	D 2
PIN 8	D 1
PIN 9	0 V 1