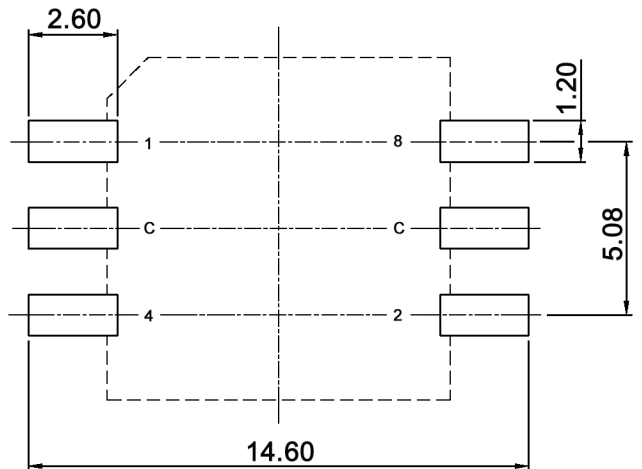


coplanarity failure +/-0.05mm max.

P.C.B. DIMENSION

		Real coded				
		C	1	2	4	8
10 P o s i t i o n s	0	●				
	1	●	●			
	2	●		●		
	3	●	●	●		
	4	●			●	
	5	●	●		●	
	6	●		●	●	
	7	●	●	●	●	
	8	●				●
	9	●	●			●



Compliance: RohS II (2011/65/EU)

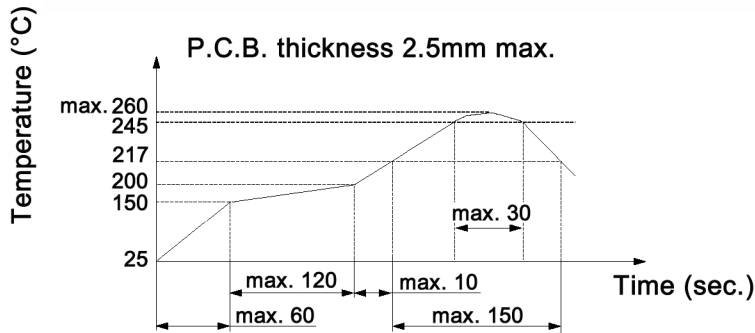
Tolerances:			Date	Name	<h1>SMR 60010</h1>
			01/08	dr	
Contact rating	08/14	dr			
Temperatures	12/12	dr			
IP rating	07/09	dr			
Operating temperature	11/08	dr	knitter-switch		<h2>30 13 61</h2>
Coplanarity failure	08/08	dr			
Packaging	07/08	dr			
Modifications	Date	Name			Page 1/3

Specifications:

Contact rating: non-switching: 200mA, 42V
switching: 150mA, 42V
Contact resistance: 80mOhm max.
Insulation resistance: 100MOhm min. at 250V DC for 1 minute +/-5sec.
Dielectric strength: 250V AC (50/60Hz) for 1 minute
Operating temperature: -60°C to +125°C
Storage temperature: -60°C to +125°C
Mechanical life: 10 000 cycles
Operating force: 700gf/cm max.
Material: Cover / base: PA 6T, black
Actuator: PA 66, STS
Contact / terminal: phosphor bronze, 0.07µ min. gold plated
over 0.1µ min. nickel
PCB: epoxy seal, 0.05µ min. gold plated
O-ring: silicone

IP rating: IP67

Soldering conditions:



The condition mentioned above is the temperature on the Cu foil of PCB surface. It might happen that the board's temperature greatly differs from switch's surface temperature depending on board's material, size, thickness, etc. Therefore, care should be used not to allow switch's surface temperature to exceed 260°C.

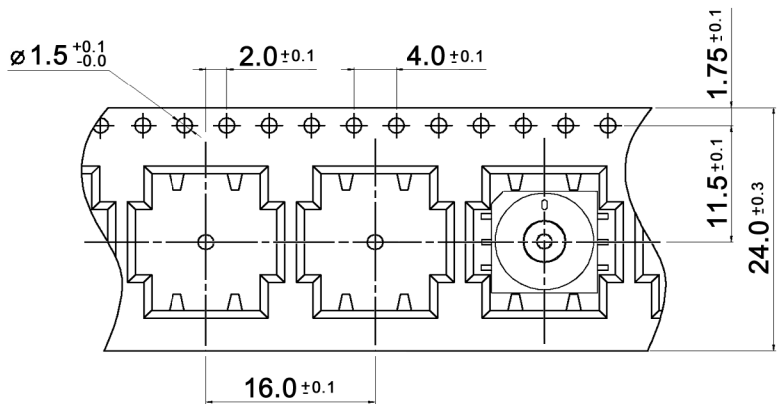
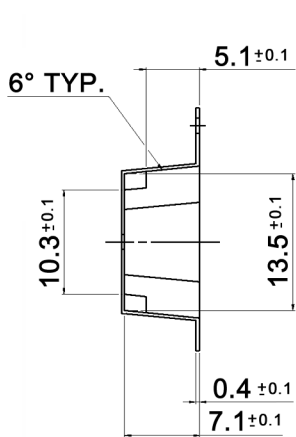
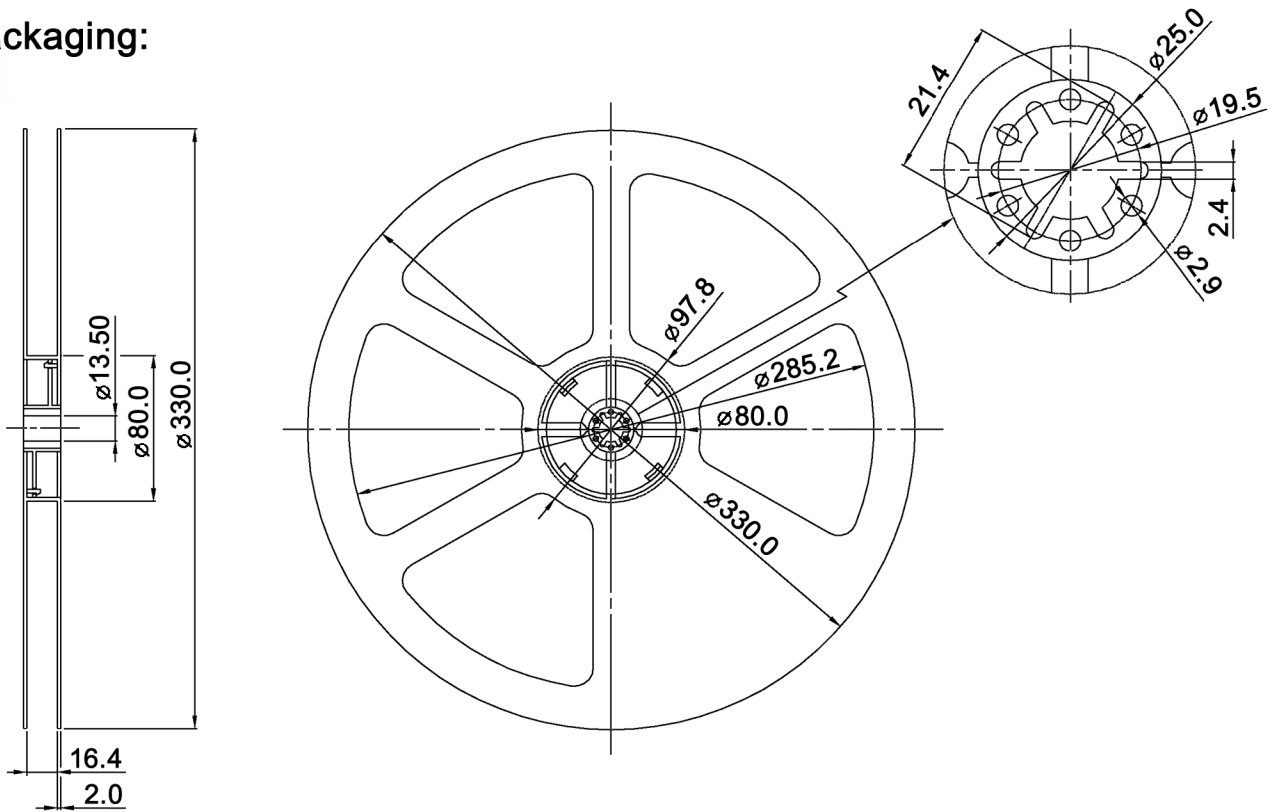
Precautions in handling

Care should be exercised so that flux from the upper part of the printed circuit board does not adhere to the switch.

Compliance: RohS II (2011/65/EU)

Tolerances:	Date	Name	SMR 60010
	01/08	dr	
			30 13 61
			knitter-switch
			30 13 61
			30 13 61
Modifications	Date	Name	Page 2/3

Packaging:



Packaging unit: 600 pcs / reel
 Compliance: RohS II (2011/65/EU)

Tolerances:	Date	Name	<h1>SMR 60010</h1>
	07/08	dr	
			<h2>30 13 61</h2>
			Page
			3/3
Modifications	Date	Name	

knitter-switch