

Series 58M-EM

22MM FULLY SEALED METAL PUSHBUTTON WITH WIRE LEADS

Built on the proven series 48 platform these rugged switches come in stainless steel or aluminum housings, electro-mechanical with either momentary or maintained action and lighted or unlighted versions. The variety of options in this compact package size make the 58M ideal for many applications: transportation, outdoor controls, security products, food processing and medical products.



ACTUAL SIZE

APPLICATIONS

- Outdoor Controls
- Kiosks
- Security Equipment
- Medical Equipment
- Food Processing Equipment
- Military Equipment
- Industrial Machinery
- Transportation: Mass-Transit, Lift Trucks

KEY FEATURES:

- Momentary or Maintained Action
- Stainless Steel or Aluminum Housing
- Non Lit or Ring Illumination
- Variety of LED colors
- Electro-Mechanical
- Panel Sealed to IP67
- ROHS Compliant
- Gold Plated Contacts

ORDERING INFORMATION:

SWITCH FUNCTION:	HOUSING MATERIAL:	ILLUMINATION:	LED COLOR:	VOLTAGE RESISTOR
A. MECHANICAL, MOMENTARY, WIRE LEADS	1. STAINLESS STEEL	0. NON-LIT	N. NONE	I F BLANK *
B. MECHANICAL, MAINTAINED, WIRE LEADS	2. ALUMINUM	2. RING ILLUMINATION	G. GREEN	05 5V FORWARD
		R. RED, NON-LIT	R. RED	12 12V FORWARD
			B. BLUE	24 24V FORWARD
			W. WHITE	
			RB. RED / BLUE	
			RG. RED / GREEN	
			BG. BLUE / GREEN	

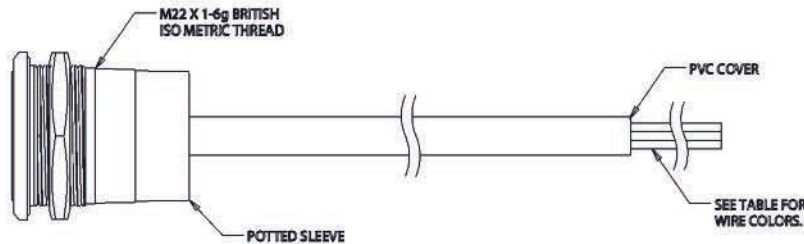
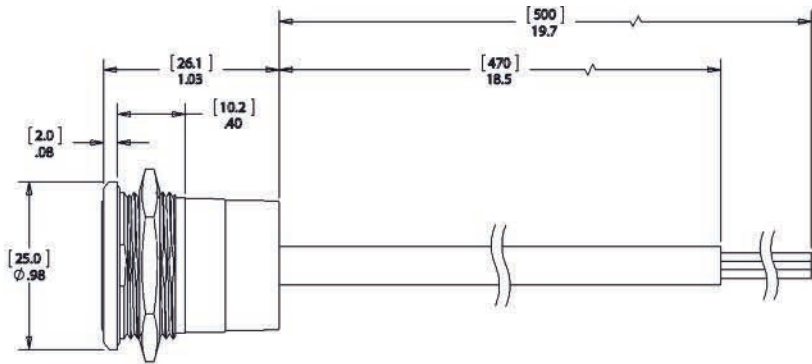
58M-

* Current limiting resistor is required to limit LED forward current to 20 mA (not included).

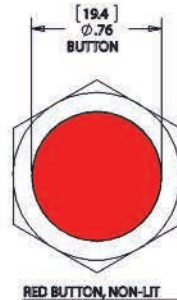
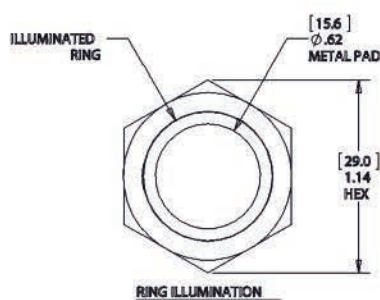
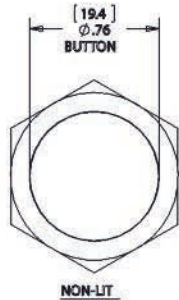
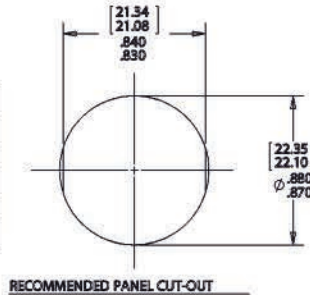
STANDARDS / AGENCY / RATINGS:



PRODUCT DRAWINGS



ILLUMINATION TYPE	WIRE INSULATION COLORS					
	SWITCH TERMINALS		LED 1		LED 2	
	I	O	+	-	+	-
NON-LIT	BLUE	BLUE	NONE	NONE	NONE	NONE
LED, SINGLE	BLUE	BLUE	RED	BLACK	NONE	NONE
LED, DUAL	BLUE	BLUE	RED	BLACK	YELLOW	BROWN



[MILLIMETERS]
INCHES

MECHANICAL CHARACTERISTICS

CIRCUIT:
SPST-NO-DB (FORM X)

BUTTON TRAVEL (NOM):
[2.3] .09

OPERATING FORCE (NOM):
[3N] 306g

CONTACT BOUNCE (NOM):
1 ms

PANEL THICKNESS:
[0.5-4.5] .02-.18

NUT TORQUE (MAX):
[11.5 kgf/cm] 10 lb/in

HARDWARE:

BULK PACKAGED SEALING WASHER AND HEX NUT ARE INCLUDED.

ENVIRONMENTAL SPECIFICATIONS

ACTUATOR INGRESS PROTECTION:
IP67

OPERATING TEMPERATURE:
NON-LIT: [-40 C to +85 C]
-40 F to +185 F
ILLUMINATED: [-25 C to +85 C]
-13 F to +185 F

ELECTRICAL SPECIFICATIONS

CURRENT RATING (resistive):
250mA @ 12VDC, 100K CYCLES
150mA @ 28VDC, 150K CYCLES (MOMENTARY)
100mA @ 48VDC, 100K CYCLES
10mA @ 12VDC, 1 MILLION CYCLES (MOMENTARY)

DIELECTRIC STRENGTH:
1,000 VAC

INSULATION RESISTANCE:
1G OHM

CONTACT RESISTANCE, INITIAL:
250m OHMS MAX

WIRE LEADS:
UL STYLE 1007
26 AWG, STRANDED