

# RELIANT'22

## Momentary • Maintained • Pushbuttons

A-25-21  
A-25-03

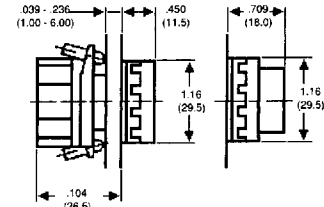
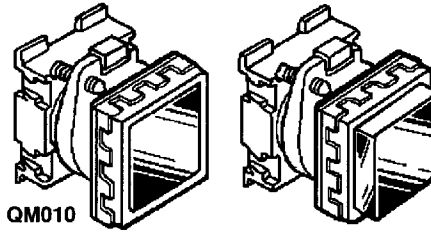
### MOMENTARY

#### Metal Bushings

Contact blocks not supplied, order separately.  
(See page H6.)

MODEL TYPE

QM010(\*) FLUSH BUTTON  
QM020(\*) EXTENDED BUTTON  
(\*) SPECIFY COLOR BY ADDING SUFFIX NUMBER: (0)BLACK,  
(2)RED, (4)YELLOW, (5)GREEN, (6)BLUE, (8)GREY, (9)WHITE.  
NOTE: FRONT BEVELED FRAME IS BLACK.



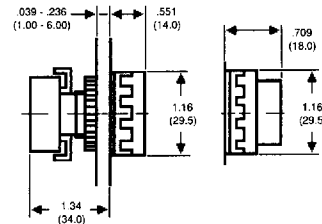
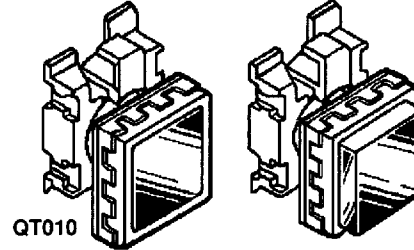
### MOMENTARY

#### Thermoplastic Bushings (Threaded)

Contact blocks not supplied, order separately.  
(See page H6.)

MODEL TYPE

QT010(\*) FLUSH BUTTON  
QT020(\*) EXTENDED BUTTON  
(\*) SPECIFY COLOR BY ADDING SUFFIX NUMBER: (0)BLACK,  
(2)RED, (4)YELLOW, (5)GREEN, (6)BLUE, (8)GREY, (9)WHITE.  
NOTE: FRONT BEVELED FRAME IS BLACK.



# RELIANT'22

## 7/8" Oil-Tight • Selectors • Keylocks

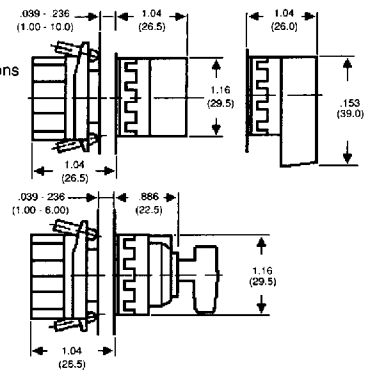
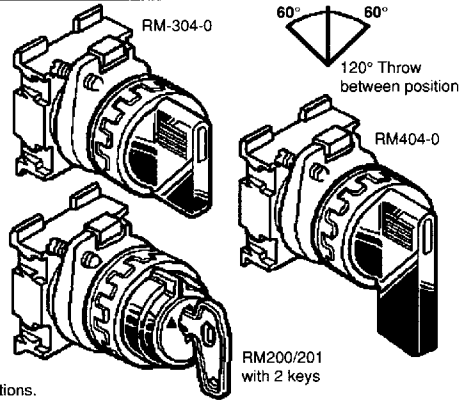
### 2 POSITION SELECTOR/KEYLOCK MAINTAINED

#### Metal Bushings

Contact blocks not supplied, order separately.  
(See page H6.)

MODEL	ACTION	CAM	REMOVE KEY
RM4040	MAINTAINED, BLACK	1	---
RM3040	MAINTAINED, BLACK	1	⊙
RM200	MAINTAINED	1	⊙
RM201	MAINTAINED	1	⊙
RM250	MOMENTARY, RIGHT	1	⊙
RM204			⊙
RM205			⊙
E1	SPARE KEY		⊙

NOTE: FRONT BEVELED FRAME IS BLACK.



### 3 POSITION SELECTORS

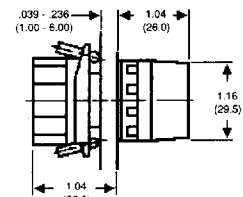
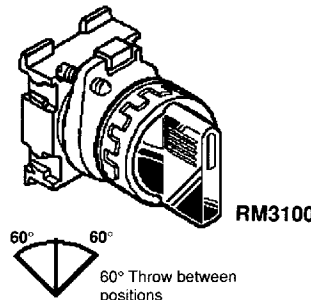
#### Short Handle

#### Metal Bushings

Contact blocks not supplied, order separately.  
(See page H6.)

MODEL	ACTION	CAM.
RM3100	MAINTAINED, BLACK	2
RM3120	MAINTAINED, BLACK	3
RM3130	MAINTAINED, BLACK	4
RM3700	MOMENTARY, RIGHT SIDE, BLACK	2
RM3720		
RM3800	DOUBLE MOMENTARY, BLACK	2
RM3830		

NOTE: FRONT BEVELED FRAME IS BLACK.  
OTHER OPTIONS AVAILABLE. CONSULT THE FACTORY.



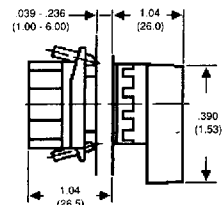
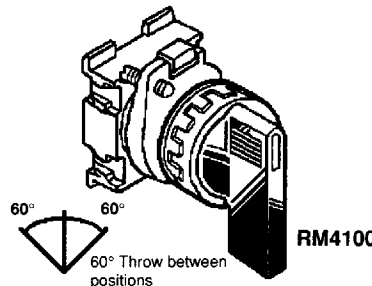
### 3 POSITION SELECTORS

#### Long Handle, Metal Bushings

Contact blocks not supplied, order separately.  
(See page H6.)

MODEL	ACTION	CAM.
RM4100	MAINTAINED	2
RM4120	MAINTAINED	3
RM4130	MAINTAINED	4
RM4700	MOMENTARY, RIGHT SIDE	2
RM4800	DOUBLE MOMENTARY	2
RM482		
RM483		

NOTE: FRONT BEVELED FRAME IS BLACK.  
OTHER OPTIONS AVAILABLE. CONSULT THE FACTORY.



SPECIFICATIONS SUBJECT TO CHANGE WITHOUT NOTICE.

# STANDARD CONTACT BLOCKS

A-25-15

An almost unlimited number of circuit control options are possible using various combinations of contact blocks. Up to twelve "V" or "F" family modular blocks may be used with any operator in the Reliant 22, 2000 or 6000 series, depending on circuit requirements and operator design. The exclusive SNAP-BLOC design permits assembly without the use of tools - no screws or hardware to get lost. Choose either screw terminals of dual male .110"/.250" quick connect terminals. Plunger color indicates closure mode. The double break silver contacts are enclosed in a tough transparent polycarbonate housing, permitting visual inspection of contacts. Designed-in rocking action assures long, reliable life; over several million operations in normal use. Operating temperature range: -20 to +70°C.

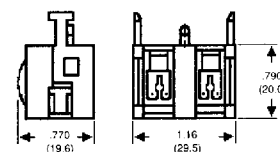
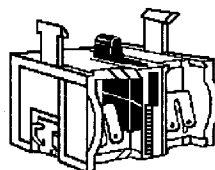
## ELECTRIAL CONTACT RATINGS

CONDITION	FUNCTION	STANDARD SERIES (600 VAC Max.)			APPLICATION NOTES
AC OPERATION		120V	300V	600V	1. Up to 6 contact blocks may be stacked and snap-mounted in either the upper and/or lower position on the back on any Reliant 22, Series 4000 or 6000 operator.
Inductive Loads	Make	30A	12A	6A	
	Continuous	6A	6A	6A	
.350 P.F. min.	Break	3A	1.2A	6A	
Resistive Loads	Make, Continuous	6A	6A	6A	
	.750 P.F. min. Carry & Break				2. In order to maintain optimum insulating distances when contact blocks are stacked, wiring connections should be in same polarity for operation above 300VAC.
DC OPERATION					
Inductive & Resistive Loads	Make	1.1A			3. Blocks may be prewired and snapped into place for easier assembly.
	Continuous Carry	6A	6A	6A	4. Remove blocks by simply prying tabs. Small screwdriver is all that is necessary.
	Break	1.1A			5. "V" Series and "F" Series contact blocks listed below are U.L. Recognized components (File E-45364) and are certified by C.S.A. (LR 20785-19).

## QUICK CONNECT

MODEL	CONTACTS	PLUNGER COLOR
F40	NORMALLY CLOSED	RED
F50	NORMALLY OPEN	GREEN
FA0	N.O. EARLY MAKE	YELLOW
FRO	N.C. LATE BREAK	GREY

NOTE: FA0 AND FRO CONTACTS "OVERLAP".

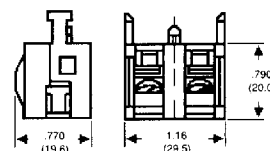
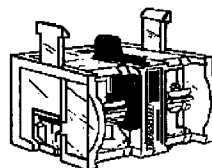


## SCREW TERMINAL

MODEL	CONTACTS	PLUNGER COLOR
V40	NORMALLY CLOSED	RED
V50	NORMALLY OPEN	GREEN
VA0	N.O. EARLY MAKE	YELLOW
VRO	N.C. LATE BREAK	GREY

NOTE: "V" SERIES IS AVAILABLE WITH GOLD PLATED CONTACTS; ORDER V40G, V50G, VA0G, VROG.

NOTE: VA0 AND VRO CONTACTS "OVERLAP".



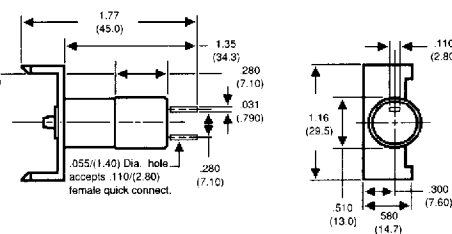
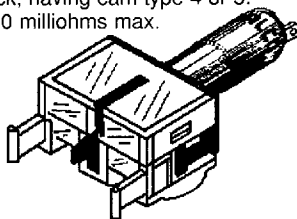
## ELECTRONIC DUTY CONTACT BLOCKS

### Hermetically sealed reed contact block for logic level use.

Use with any pushbutton or with 2 or 3 position selector keylock, having cam type 4 or 5. Rating: 5VA (100ma @ 50 VDC max.) Contact resistance : 100 milliohms max.

MODEL	CONTACTS
101B1	SPST, NORMALLY CLOSED
101C1	SPST, NORMALLY OPEN
V50D	*DUMMY CONTACT BLOCK

NOTE: UNIT ACCEPTS .110/(2.80) FEMALE QUICK CONNECT.  
\*NOTE: USE DUMMY V50 BLOCK(SHOWN) WHEN USED WITH SELECTOR OPERATOR. ORDER SEPARATELY.



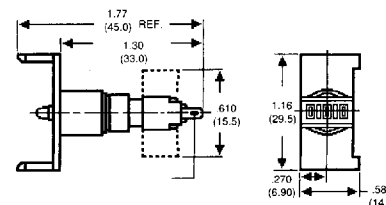
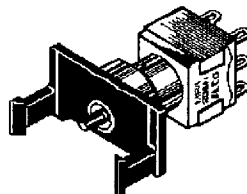
## ALTERNATE ACTION MAINTAINED CONTACTS

### Instrument grade double throw contacts

Converts any momentary pushbutton or mushroom operator to push-on/push-off control. 6A @ 125 VAC, 3A @ 250 VAC.

Solder terminals or quick connect.

MODEL	CONTACTS	ACTION
106D1	SPDT	PUSH-ON/PUSH-OFF
206N1	DPDT	PUSH-ON/PUSH-OFF
306D1	3PDT	PUSH-ON/PUSH-OFF
406N1	4PDT	PUSH-ON/PUSH-OFF



SPECIFICATIONS SUBJECT TO CHANGE WITHOUT NOTICE.

Alcoswitch®

1551 Osgood Street

N. Andover, MA 01845 USA

Tel: (508)685-4371

FAX: (508)686-9545

TLX: 275423

H6