



PCB terminal block; 2.5 mm²; Pin spacing 7.5/7.62 mm; 4-pole; PUSH WIRE®

Item No.: 235-504/333-000



PCB terminal block; 2.5 mm²; Pin spacing 7.5/7.62 mm; 4-pole; PUSH WIRE®

Marking

RoHS ✓
Compliant

Business data

Supplier	WAGO
Item no.	235-504/333-000
GTIN / EAN	4044918830775
Content	1
Order amount	35
Customer item number	

Notes

product cancelled Last Call Date: 31.10.2016 Item description: Low-profile terminal strips with screwdriver-actuated PUSH WIRE® termination Simple push-in termination for solid conductors Double solder pins for high mechanical stability Conductor removal via screwdriver (2.5mm x 0.4mm) Set to metric or inch pin spacing by compressing terminal strips together or pulling them apart Also available with test slot

Technical data

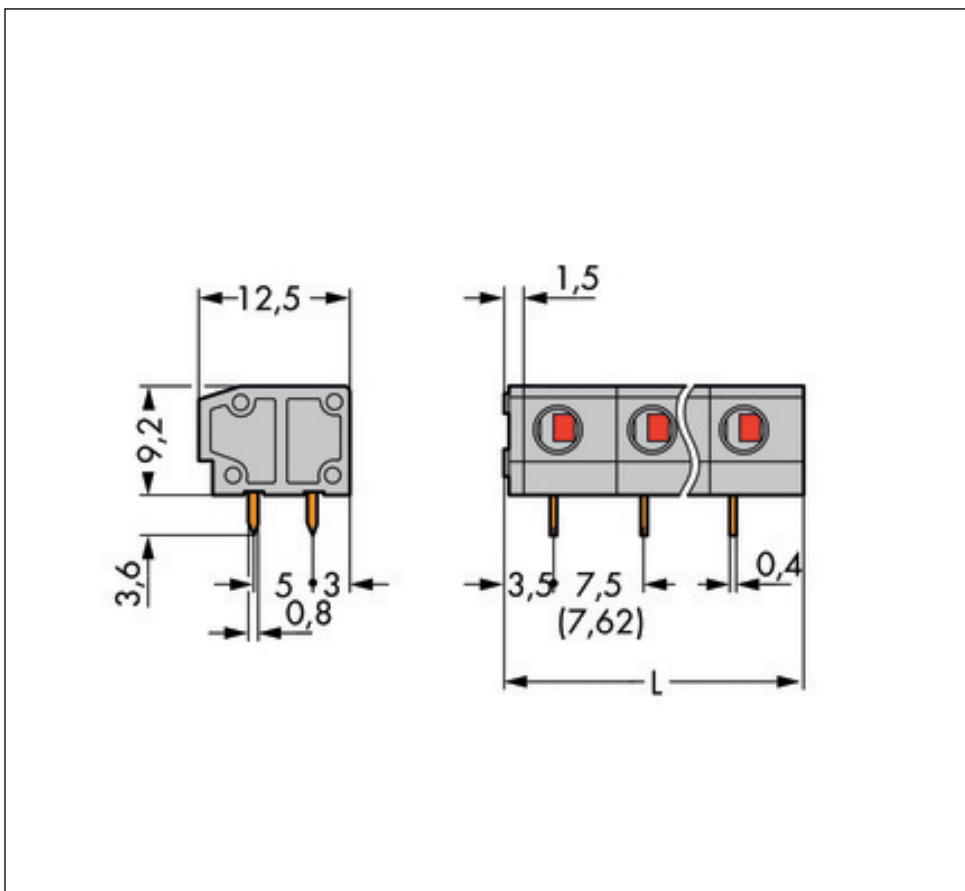
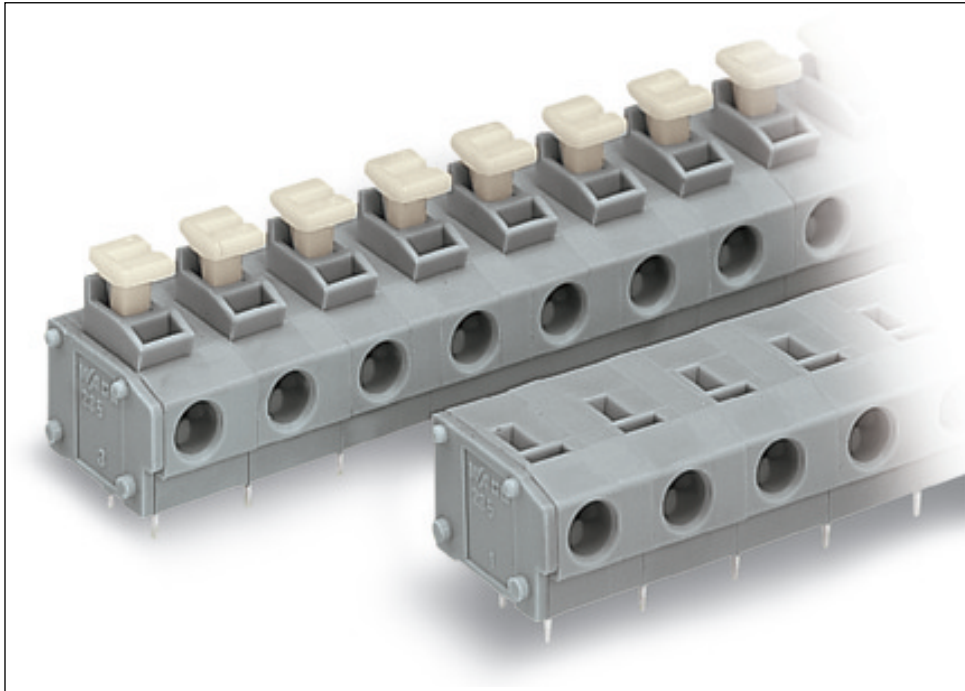
Miscellaneous

No. of poles	4
Pin spacing	7.5/7.62 mm / 0.295/0.3 in

Technical data	
Total number of connection points	4
Total number of potentials	4
Color	gray
Ratings per	IEC/EN 60664-1
Rated voltage (III / 3) [V]	400 [V]
Rated impulse voltage (III / 3) [kV]	6 [kV]
Pollution degree (1)	2
Rated voltage (III/2) [V]	630 [V]
Rated impulse voltage (III / 2) [kV]	6 [kV]
Rated voltage (II / 2) [V]	1000 [V]
Rated impulse voltage (II / 2) [kV]	6 [kV]
Rated current [A]	17.5 [A]
Legend for ratings	(III / 2) Overvoltage category III /
Number of connection objects	1
Number of levels	1
Pull-in time	0.0
Connection technology	PUSH WIRE®
Number of connection points connector	1
Actuation type	Operating tool
Solid conductor	0.5 ... 2.5 mm ² / 20 ... 14 AWG
Fine-stranded conductor with ferrule with plastic collar	0.25 ... 1.5 mm ² / ...
Fine-stranded conductor with ferrule without plastic collar	0.25 ... 1.5 mm ² / ...
Strip length	9 ... 10 mm / 0.35 ... 0.39 Inch
Conductor entry angle to the PCB [°]	0 [°]
Solder pin arrangement	in line
Solder pin length [mm]	3.6 [mm]
Drilled hole diameter (tolerance) [mm]	1(+ 0.1) [mm]
Material group	I
Insulating material	Polyamide 66 (PA 66)
Flammability class per UL94	V0
Limit temperature range	-60 ... 105 °C
Clamping spring material	Chrome-nickel spring steel (CrNi)
Contact material	Electrolytic copper (Ecu)
Contact plating	tin-plated

Technical data	
<i>Fire load [MJ]</i>	<i>0.068 [MJ]</i>
<i>Weight [g]</i>	<i>3.51 [g]</i>
<i>Width</i>	<i>31.5 mm / 1.24 Inch</i>
<i>Height</i>	<i>12.8 mm / 0.504 Inch</i>
<i>Height from the surface</i>	<i>9.2 mm / 0.362 Inch</i>
<i>Depth</i>	<i>12.5 mm / 0.492 Inch</i>

Images & drawings



Address

WAGO Kontakttechnik GmbH & Co. KG

Hansastr. 27

32423 Minden

Telefon: 0571/887-0

Fax: 0571/887-169

<http://www.wago.com>

© WAGO Kontakttechnik GmbH & Co. KG

Technische Änderungen und Irrtümer vorbehalten.