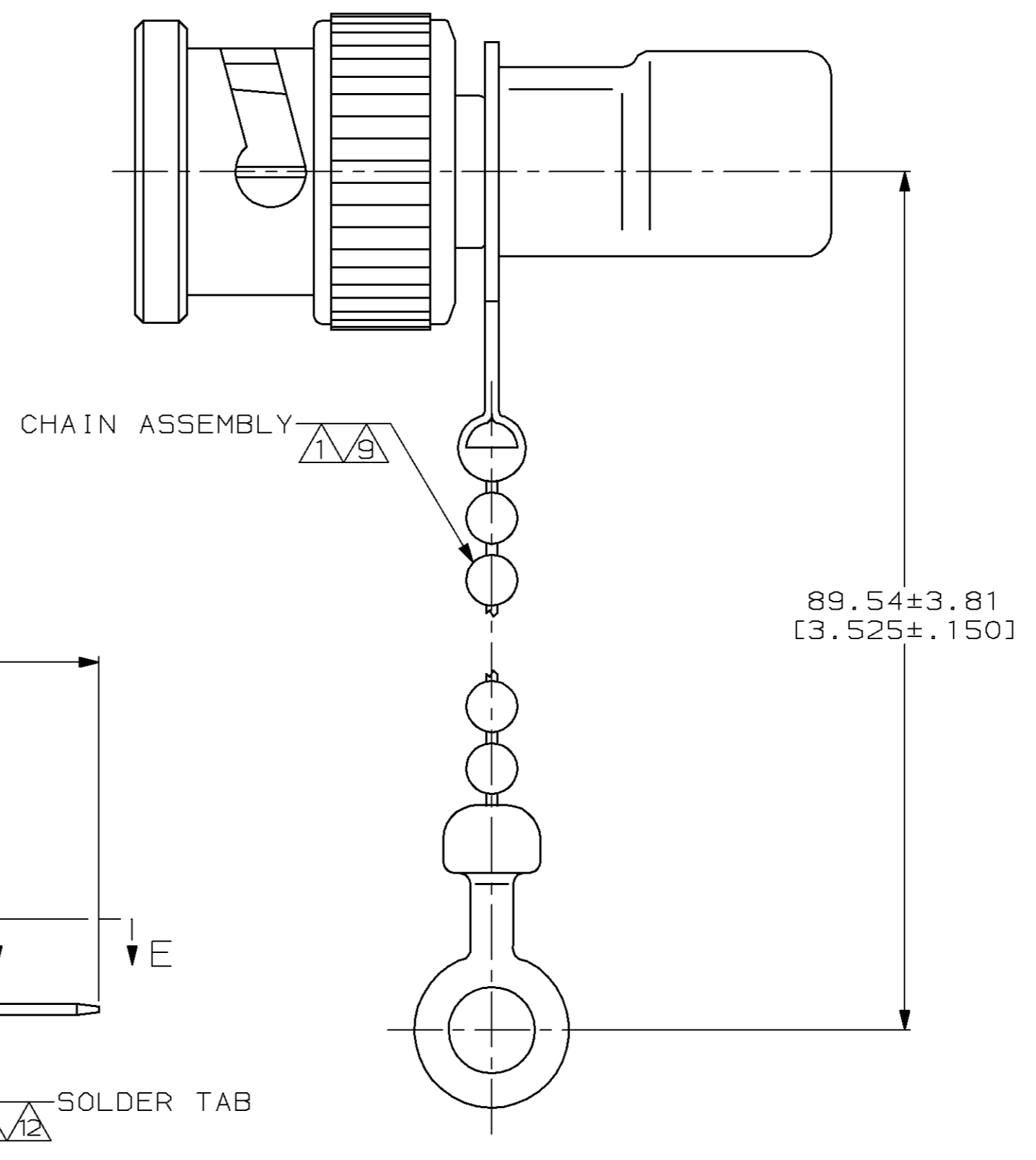
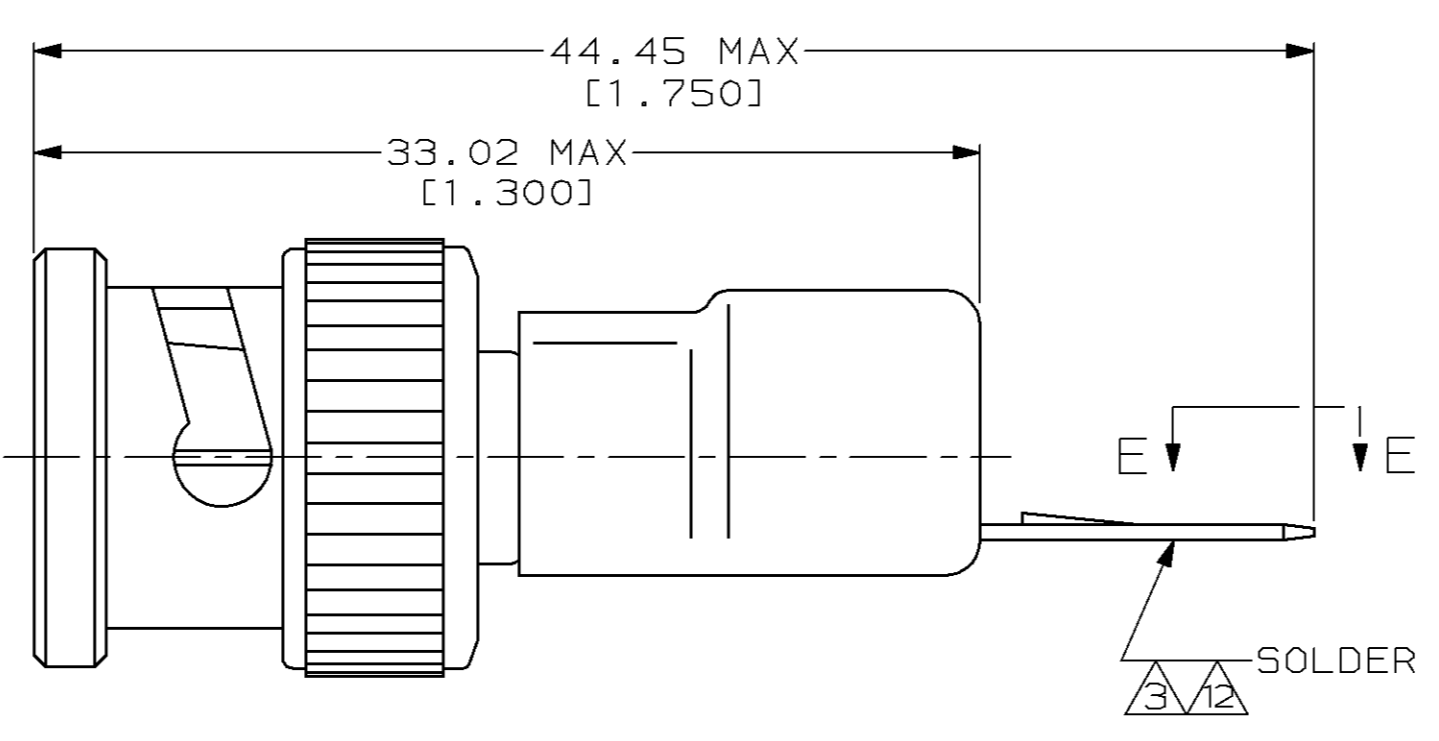
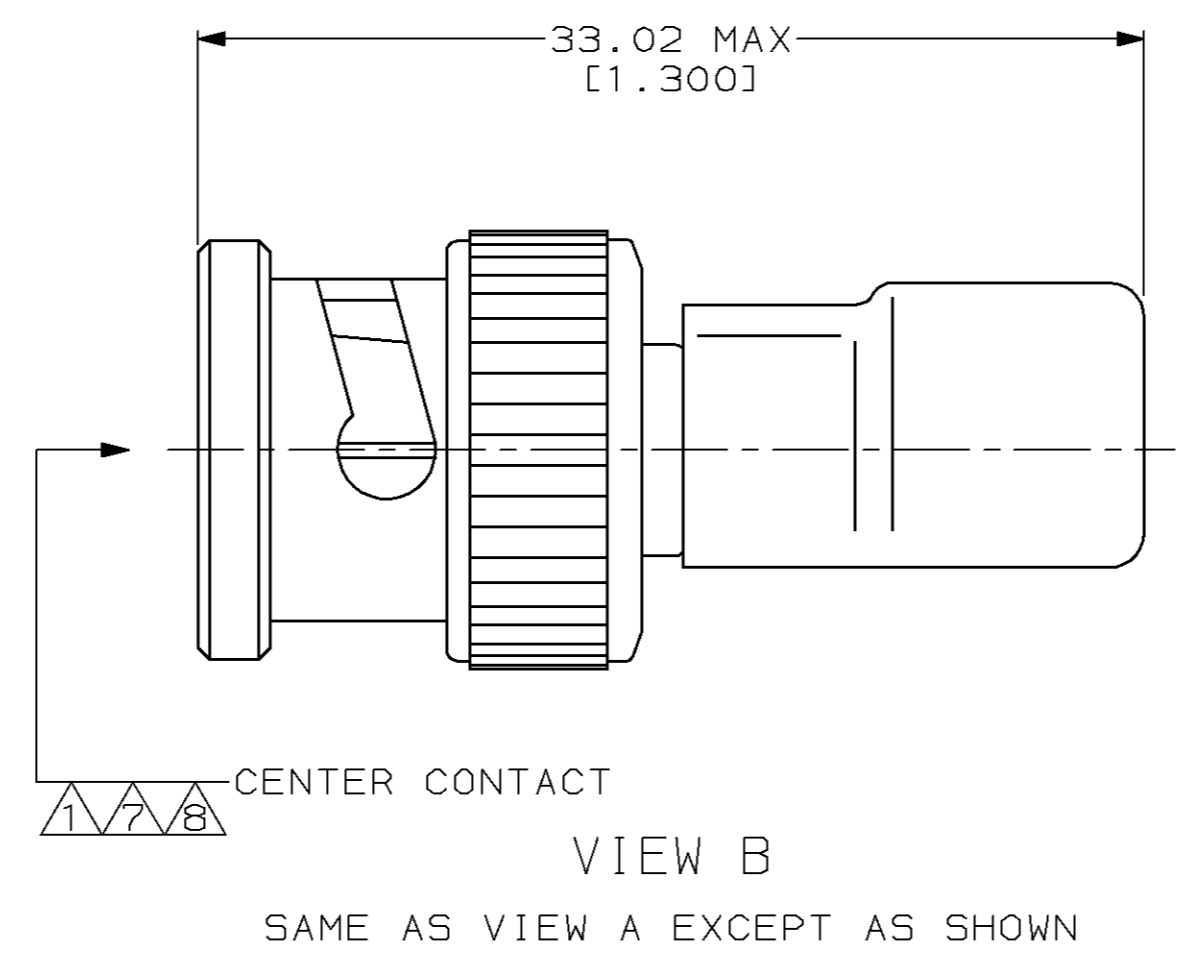
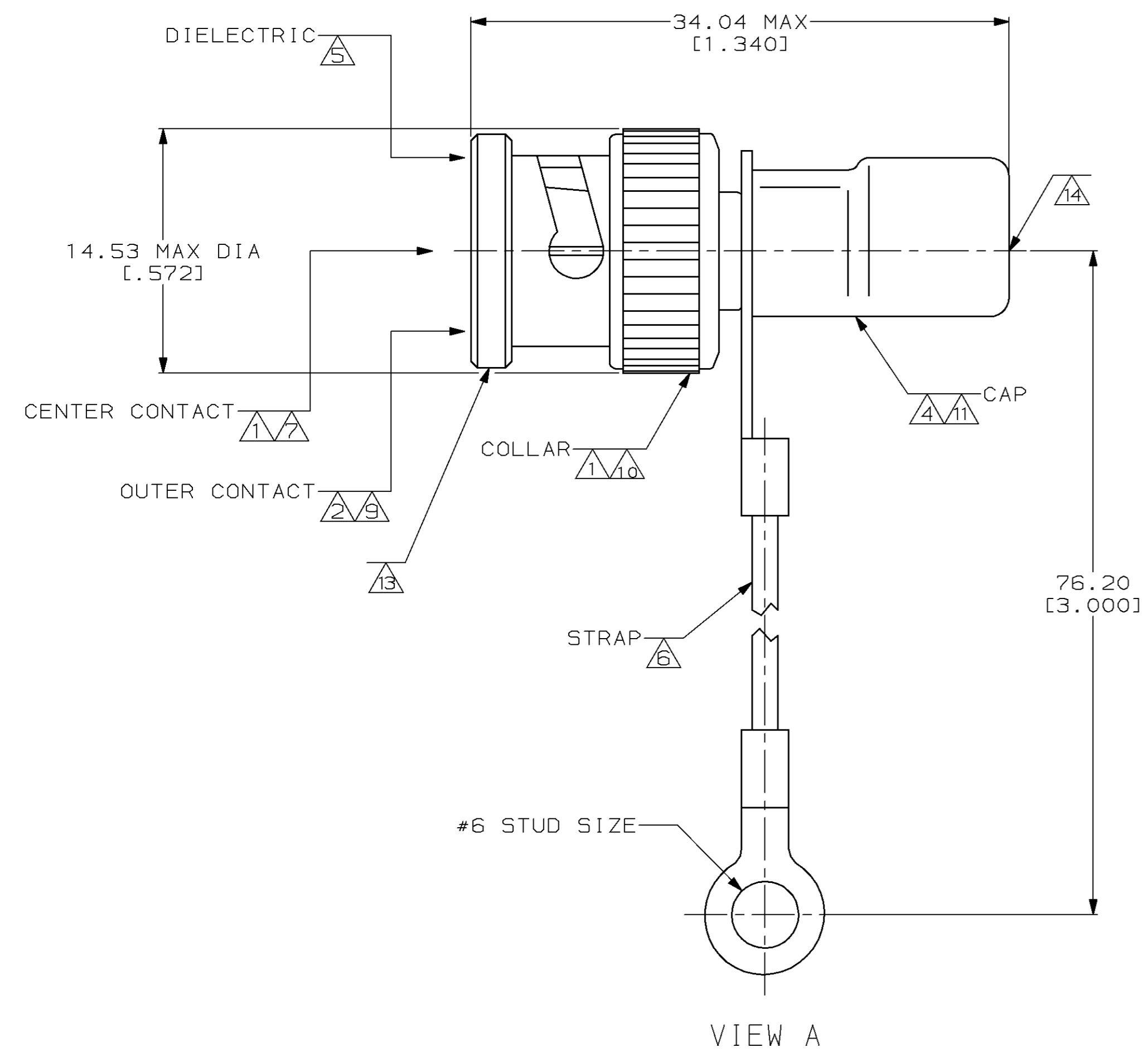
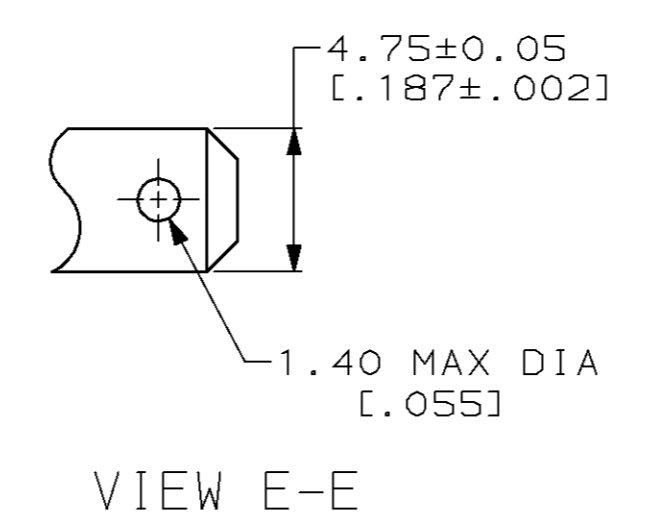
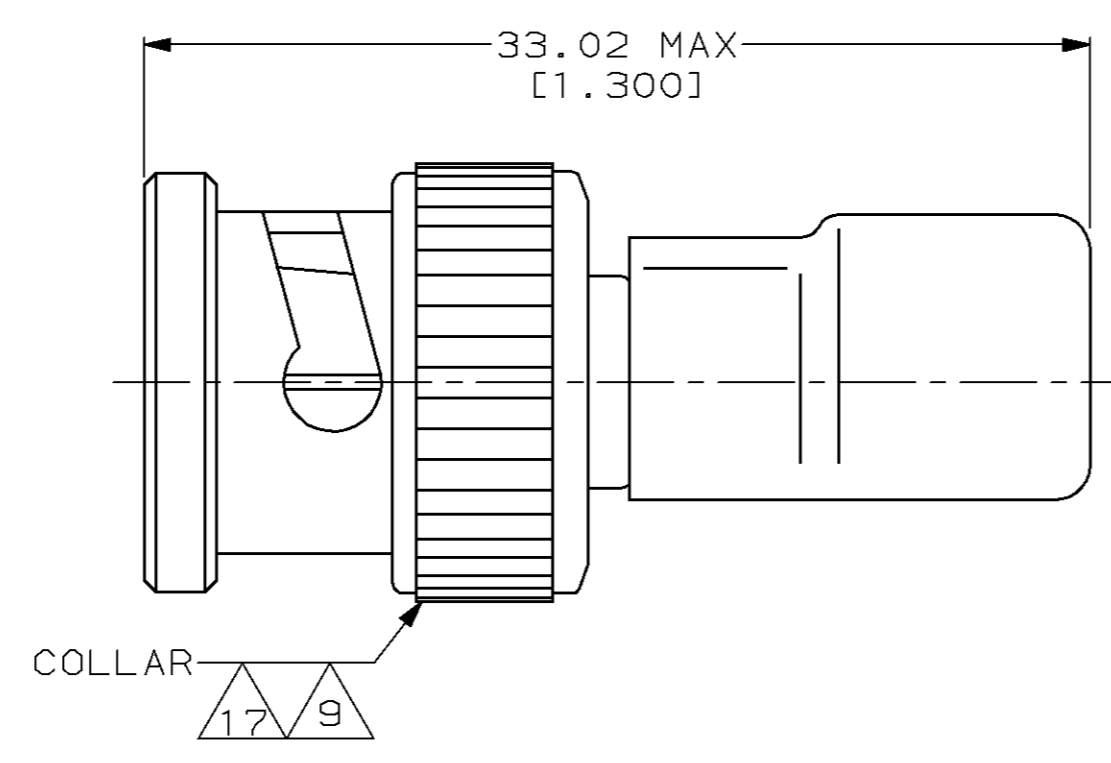
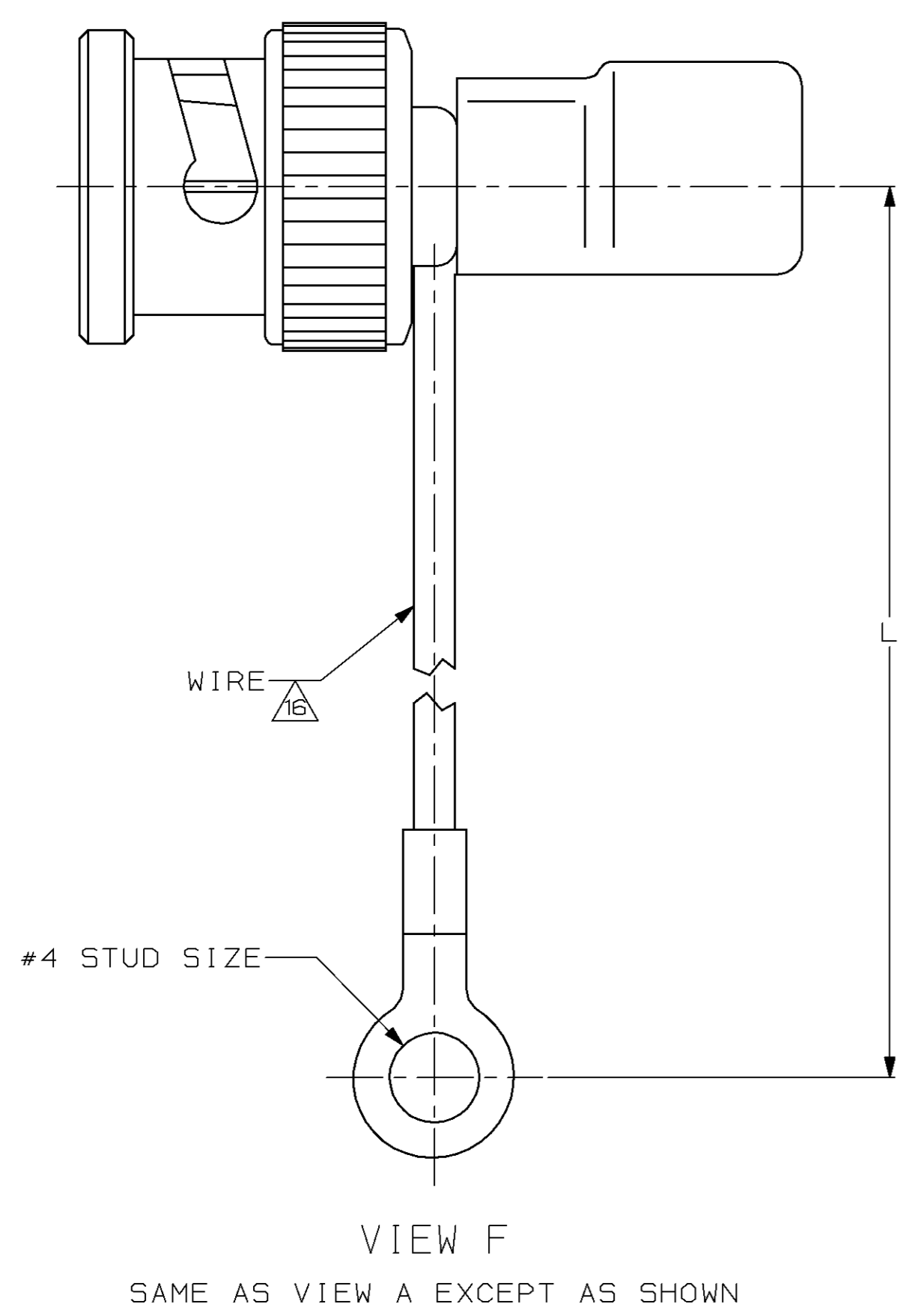


LOC	DIST	P	F	ZONE	LTR	REVISIONS	DATE	APPD
AJ	16					V REV PER 0630-0287-98	26AUG98	MO



- 1 BRASS PER QQ-B-626.
- 2 BRASS PER MIL-C-21768.
- 3 BRASS PER MIL-C-50.
- 4 COPPER PER QQ-C-576.
- 5 POLYETHYLENE PER LP-390.
- 6 POLYESTER PER MIL-T-43435, COLOR NATURAL.
- 7 GOLD PLATE PER MIL-G-45204, 0.76 μm [0.00030] MINIMUM THICK.
- 8 SILVER PLATE PER QQ-S-365, 2.54 μm [0.00100] MINIMUM THICK.
- 9 NICKEL PLATE PER QQ-N-290, 1.27 μm [0.00050] MINIMUM THICK.
- 10 NICKEL PLATE PER QQ-N-290, 4.45 μm [0.00175] MINIMUM THICK.
- 11 TIN-LEAD PLATE PER ASTM-B-545, 2.54 μm [0.00100] MINIMUM THICK.
- 12 TIN-LEAD PLATE PER ASTM-B-545, 3.81 μm [0.00150] MINIMUM THICK.
- 13 VALUE MARKED ON CONNECTOR BODY AS SHOWN. (SEE TABLE)
- 14 STEEL STAMPED AS SHOWN. (SEE TABLE)
- 15 SEE SEPARATE RESTRICTED CUSTOMER DRAWING WITH THIS PART NUMBER.
- 16 16 GAUGE INSULATED GROUND WIRE.
- 17 ZINC PER QQ-Z-363



RESISTOR SPECIFICATIONS	WATT	TOLERANCE	OHM	STEEL STAMP	MARKING	L	CENTER CONTACT PLATING	VIEW	PART NUMBER
-	1%	50	-	50Ω 1W	2999.99±25.40 [118.11±1.00]	△	F		2-221629-2
△	-	-	-	-	-	-	-	-	2-221629-1
△	-	-	-	-	-	-	-	-	2-221629-0
△	-	-	-	-	-	-	-	-	1-221629-9
1	1%	50	-	50Ω 1W	-	△	B		1-221629-8
1	1%	50	-	-	-	△	G		1-221629-7
1	1%	50	-	50Ω 1W	85.85±2.03 [3.380±.080]	△	F		1-221629-6
-	-	-	-	-	-	-	-	-	1-221629-5
△	-	-	-	-	-	-	-	-	1-221629-4
OBSOLETE	1	1%	50	-	-	△	D		1-221629-2
.5	1%	75	-	75Ω .5W	-	△	C		1-221629-1
1	1%	75	75	-	-	△	B		1-221629-0
1	1%	50	50	-	-	△	B		221629-9
1	1%	50	-	50Ω 1W	-	△	B		221629-8
OBSOLETE	.5	5%	100	-	100Ω .5W	△	B		221629-7
1	1%	93	-	93Ω 1W	-	△	B		221629-6
1	1%	75	-	75Ω 1W	-	△	B		221629-5
1	1%	50	-	50Ω 1W	-	△	B		221629-4
1	1%	93	-	93Ω 1W	-	△	A		221629-3
1	1%	75	-	75Ω 1W	-	△	A		221629-2
1	1%	50	-	50Ω 1W	-	△	A		221629-1

DO NOT SCALE PRINT. UNLESS SPECIFIED DIMENSIONS IN mm [INCHES] TOLERANCES ON: 2 PLC DEC ± 3.18 (.125) 3 PLC DEC ± - ANGLES ± -

DR 9-22-90 J. LIPPERT
 CHK 9/28/90 R.E.RUTH
 APPD 10-1-90 M. PHILLIPS
 APPD 10-1-90 J. LIPPERT

AMP Incorporated
 Harrisburg, PA 17105-3608

NAME: TERMINATOR, PLUG, COMMERCIAL BNC

FINISH: - APPLICATION SPEC: - WEIGHT: -

SIZE: D CAGE CODE: 00779 DRAWING NO: 221629
 SCALE: 4:1 SHEET: 1 OF 1