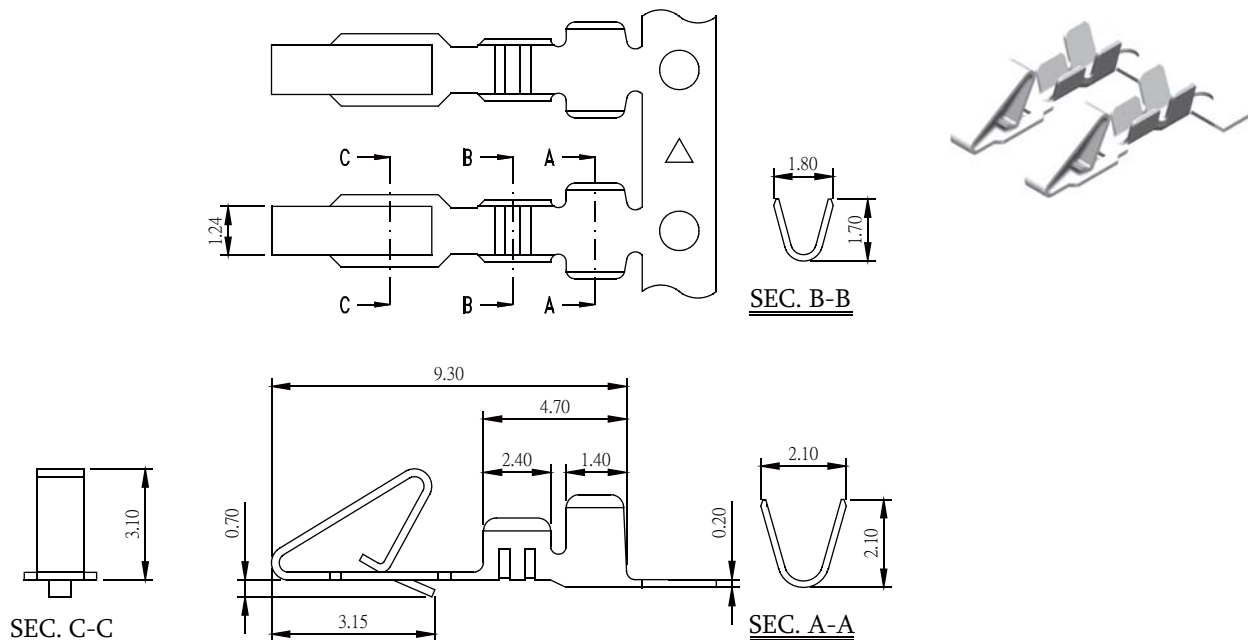


## 2.5mm Terminal / Housing



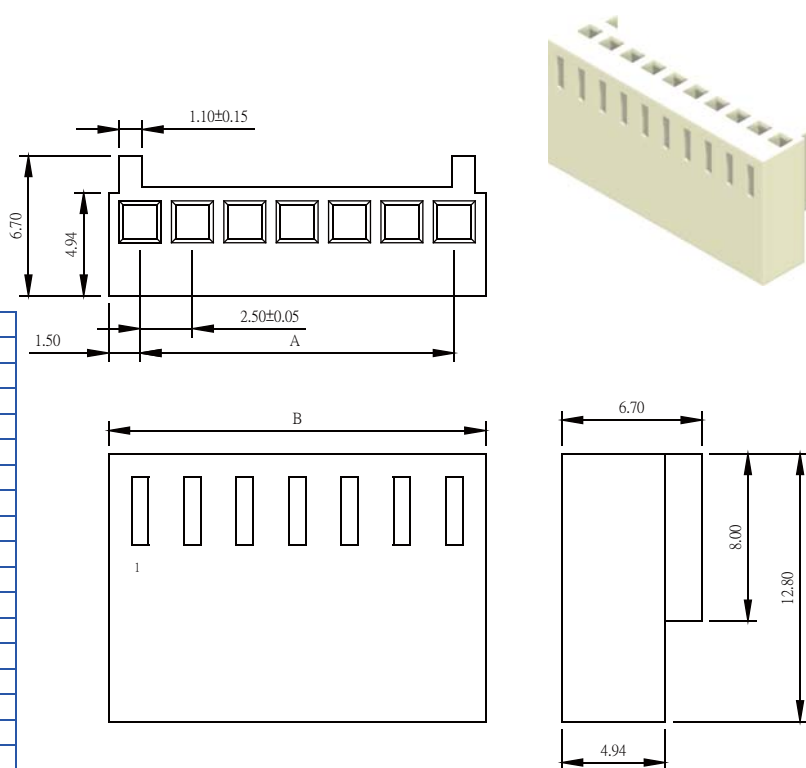
Part No.:2510-T-L

Part No.	Wire Range	Material	Finish
2510-TTP-L	AWG#22-#28	Phosphor Bronze	Tin-plated
2510-TGP-L	AWG#22-#28	Phosphor Bronze	Gold-plated
2510-TTB-L	AWG#22-#28	Brass	Tin-plated
2510-TGB-L	AWG#22-#28	Brass	Gold-plated

### Specifications

Current Rating: 3A AC,DC  
 Voltage Rating: 250V AC,DC  
 Temperature Range: -40°C to +105°C  
 Contact Resistance: 20mΩ Max  
 Insulation Resistance: 1000MΩ Min  
 Withstanding Voltage: 1500V AC/minute  
 Material: Nylon 66,UL94V-0

Part No.	A	B
2510H-02W-L	2.50±0.08	5.50
2510H-03W-L	5.00±0.10	8.00
2510H-04W-L	7.50±0.10	10.50
2510H-05W-L	10.00±0.10	13.00
2510H-06W-L	12.50±0.10	15.50
2510H-07W-L	15.00±0.15	18.00
2510H-08W-L	17.50±0.15	20.50
2510H-09W-L	20.00±0.15	23.00
2510H-10W-L	22.50±0.15	25.50
2510H-11W-L	25.00±0.15	28.00
2510H-12W-L	27.50±0.20	30.50
2510H-13W-L	30.00±0.20	33.00
2510H-14W-L	32.50±0.20	35.50
2510H-15W-L	35.00±0.25	38.00
2510H-16W-L	37.50±0.25	40.50
2510H-17W-L	40.00±0.30	43.00
2510H-18W-L	42.50±0.30	45.50
2510H-19W-L	45.00±0.30	48.00
2510H-20W-L	47.50±0.35	50.50



Part No.:2510H-XXW-L