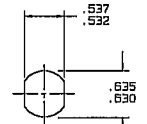
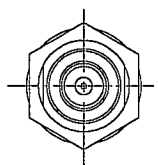
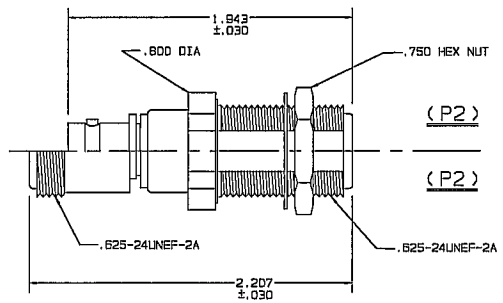


| P2 CONN TYPE | P1S NO | P1 CONN TYPE | | | | | | | | | | | | | | | | | |
|--------------------|-----------|--------------|-----|-----|-------|-----|-----|-------|-----|-----|-------|-----|-----|-----|--|------|--|-----|--|
| | | B.J20 | | | UBJ20 | | | B.J40 | | | UBJ40 | | | J95 | | UJ95 | | J95 | |
| | | SCHEMATICS | | | | | | | | | | | | | | | | | |
| DASH NUMBERS | | | | | | | | | | | | | | | | | | | |
| | | K1 | K2 | K1 | K2 | K1 | K2 | K1 | K2 | K1 | K2 | K1 | K2 | K3 | | | | | |
| BJ95 | 1A/B | A | -1 | -2 | -3 | -4 | -5 | -6 | -7 | -8 | -9 | -10 | -11 | -69 | | | | | |
| UBJ95 | 1A/B | -12 | -13 | A | -14 | -15 | -16 | -17 | -18 | -19 | -20 | -21 | -22 | -70 | | | | | |
| BJ95 | 2A/B | A | -23 | -24 | -25 | -26 | -27 | -28 | -29 | -30 | -31 | -32 | -33 | -71 | | | | | |
| UBJ95 | 2A/B | -34 | -35 | A | -36 | -37 | -38 | -39 | -40 | -41 | -42 | -43 | -44 | -72 | | | | | |
| PL95 | 3A/B | -45 | -46 | -47 | -48 | -49 | -50 | -51 | -52 | -53 | -54 | -55 | -56 | -73 | | | | | |
| UPL95 | 3A/B | -57 | -58 | -59 | -60 | -61 | -62 | -63 | -64 | -65 | -66 | -67 | -68 | -74 | | | | | |

DATA CONTAINED IN THIS DOCUMENT IS PROPRIETARY TO TROMPETER ELECTRONICS, INC. AND SHALL NOT BE DISCLOSED, COPIED OR USED FOR REPRODUCTION OR MANUFACTURE WITHOUT EXPRESS WRITTEN PERMISSION.

| REV | | ED | DESCRIPTION | DWN | APPROVED | DATE |
|-----|-------|----|--|------|--------------------|-------|
| C | 16059 | | CHANGE DIM FROM .665 HEX NUT TO .750 HEX NUT | L.M. | <i>[Signature]</i> | 12-19 |

FIG 1A (P1)
-2 SHOWN
FIG 1B (P1)
-8 SHOWN



RECOMMENDED
PANEL CUTOUT
MAX PNL THK .203
SCALE 1/1

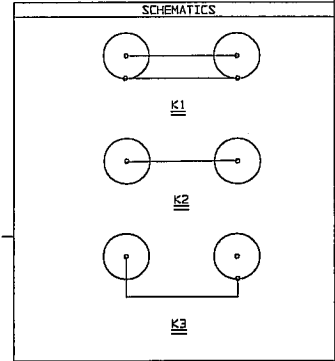
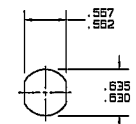
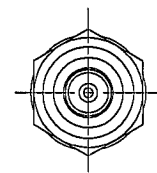
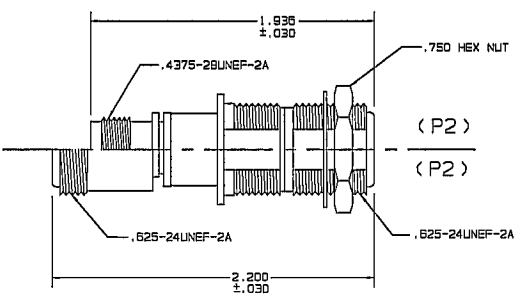


FIG 2A (P1)
-2 SHOWN
FIG 2B (P1)
-30 SHOWN

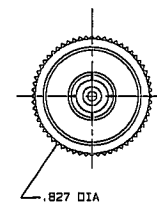
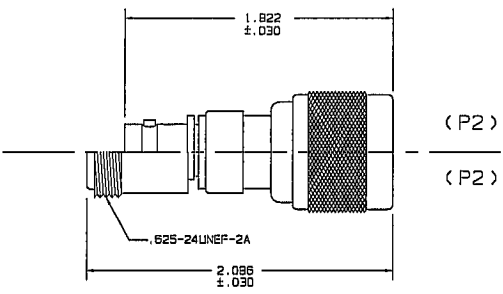


RECOMMENDED
PANEL CUTOUT
MAX PNL THK .203
SCALE 1/1

9. EXAMPLE OF COMPLETE MODEL NO:
AD-BJ20-K2-BJ95
ADAPTER CONN P1 CONN P2 SCHEMATIC

8. EXAMPLE OF COMPLETE PART NO:
12-18-48
BASIC PART NO DASH NO

FIG 3A (P1)
-45 SHOWN
FIG 3B (P1)
-54 SHOWN



RED INDICATES ORIGINAL

- FOR K1 VERSION SEE 1005-0186-2, UAD195
- FOR K1 VERSION SEE 1005-0186-1, AD185
- FOR K1 VERSION SEE 1005-0148-2, UAD95
- FOR K1 VERSION SEE 1005-0148-1, AD95
- 50 & 75 OHM BNC/TNC/N JACK TO 50 & 75 OHM N SERIES NONINSULATED / INSULATED JACK & PLUG
- FINISH TFS-1A (NICKEL)
- ALL DIM ARE IN INCHES

| QTY | DESCRIPTION | PART NUMBER | ITEM |
|--|--------------------------------|---|-------------------|
| TOL UNLESS SPECIFIED XX ± .005 XXX ± .0005 XXXX ± .00025 MOULDED | TROMPETER ELECTRONICS, INC. | ADAPTERS; U/B.J20/40/J95 TO COMPLETE "N" SERIES | |
| DWN L.M. 1-25-08 | MATERIAL | CODE IDENT 14949 | DRAWING NO. 12-19 |
| CHK | | | REV C |
| ENGR | | | |
| APPR | SCALE 2/1 | DATE 11-24-86 | SHEET 1C |

NEXT ASSY