

光半導体 発光素子シリーズ

Optical Laser Module series

高出力CATV レーザ

High Power CATV LD Modules

FLD3F7CZ-K series

(新製品) NEW PRODUCTS



・特長

1. アナログ光伝送用レーザモジュール
2. 光出力: 12dBm~14dBm
3. 光アイソレータ、モニタフォトダイオード、サーミスタ、クーラ内蔵
4. 14ピンバタフライパッケージ

Features

1. Laser Module for Analog Video Transmission (NTSC 112ch)
2. 12dBm to 14dBm Optical Output Power
3. Built-in optical isolator, ternary PIN-PD for monitor, thermistor and thermoelectric cooler
4. 14 pin Butterfly type package

・用途

CATV光伝送システム、DAS(Distributed Antenna System)システム

Applications

CATV optical transmission, DAS(Distributed Antenna System) system.

・電氣的・光学的特性 Optical & Electrical Characteristics

(T LD=25 °C, BOL, unless otherwise specified)

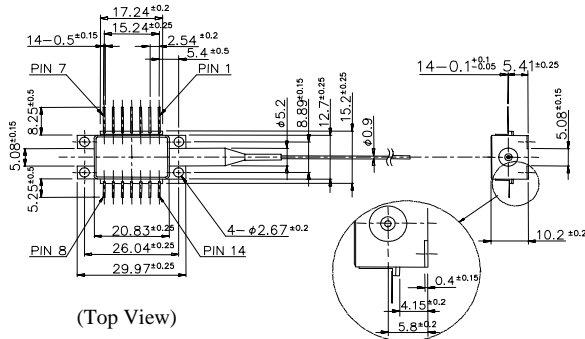
Parameter	Symbol	Test Conditions	Limits			Units
			Min.	Typ.	Max.	
ピーク発信波長 Peak Wavelength	p	CW,IF=Iop	1290	1310	1330	nm
光出力 Optical Output Power	Pf	CW,IF=Iop Refer to Part Number	12	-	14	dBm
遮断周波数 Cutoff Frequency	fc	IF=Iop,-1dB	2.2	-	-	GHz
閾値電流 Threshold Current	Ith	CW	-	8	20	mA
動作電流 Operating Current	Iop	CW	20	-	100	mA
順電圧 Forward Voltage	VF	CW,IF=Iop,Pin No.3	-	1.2	1.5	V
トラッキングエラー Tracking Error	TE	IF=Iop(at TL=Tc=25°C) Constant current operation.	-0.5	-	+0.5	dB
複合 2 次歪み Second Order Distortion	CSO	NTSC112ch,IF=Iop,2.8%/ch min, (55.25to745.25MHz;2to116plusA-1), Received optical power=0dBm,	Refer to Part Number			dBc
複合 3 次歪み Third Order Distortion	CTB	Noise equivalent current=7pA/root Hz, Receiver responsivity=0.86mA/mW,	-	-	-65	dBc
信号対雑音比 Carrier to Noise Ratio	CNR	Optical Reflection=-40dB min	51	-	-	dB

・型格 Part Number

Connector Option:SC-Angled PC ;Ordering Part number FLD3F7CZ-KxxxP

Part Number	Pf [dBm]	CSO [dBc]	CTB [dBc]	CNR [dB]
FLD3F7CZ-K112	12	-60 max.	-65 max.	51 min.
FLD3F7CZ-K113	13			
FLD3F7CZ-K114	14			
FLD3F7CZ-K212	12	-55 max.		
FLD3F7CZ-K213	13			
FLD3F7CZ-K214	14			

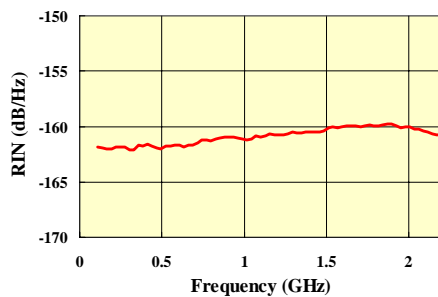
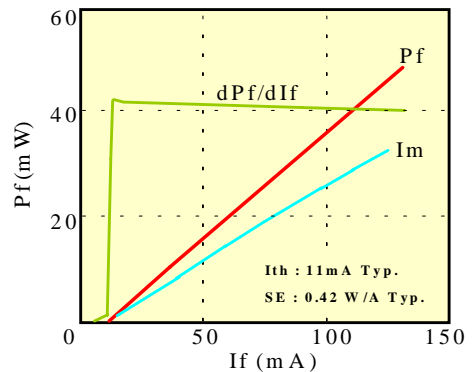
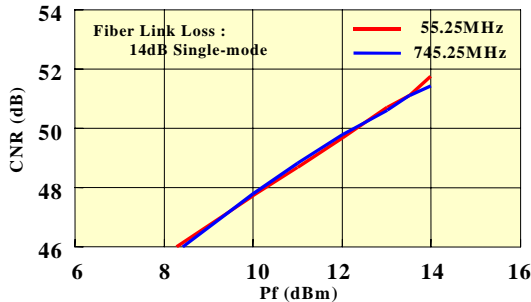
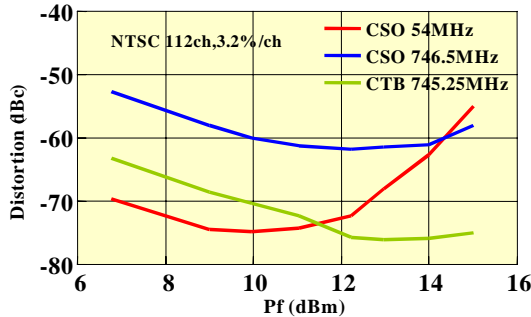
・外形図 Outline drawing



・端子機能 Pin Function

- | | |
|-----------------------------|----------------------|
| #1.Thermistor | #8.Case ground |
| #2.Thermistor | #9. Case ground |
| #3.LD cathode | #10.No connection |
| #4.Power monitor anode | #11.Case ground |
| #5.Power monitor cathode | #12.LD modulation(-) |
| #6.Thermoelectric cooler(+) | #13.Case ground |
| #7.Thermoelectric cooler(-) | #14.No connection |
| | Case ground:LD anode |

・代表的特性 Typical characteristics



・連絡先 Contact us

第一販売部(東地区) 〒192-0046 東京都八王子市明神町3-20-6(八王子第一生命ビル) Tel (0426)43-5880 Fax (0426)43-5882
 第二販売部(西地区) 〒540-8514 大阪府中央区城見2-2-6(富士通関西システムラボ) Tel (06)6920-5930 Fax(06)6920-5931
 ソリューション技術部 〒192-0046 東京都八王子市明神町3-20-6(八王子第一生命ビル) Tel (0426)48-5793 Fax(0426)48-5872
 REGION:Japan, South Korea, South Pacific

Fujitsu Quantum Devices Limited Business Development Division:

Hachioji Daiichi-Seimei Bldg. 11F, 3-20-6 Myojin-cho, Hachioji-city, Tokyo 192-0046, Japan

Tel: +81-426-43-5880 (Japan), Tel: +81-426-43-5885 (South Korea, South Pacific), Fax: +81-426-43-5582

REGION: Asia(Except India, Japan, and South Korea)

Fujitsu Quantum Devices Singapore Hong Kong Branch:

Rm 1101, Ocean Centre 5, Canton Road., Tsim Sha Tsui, Kowloon, HK

Tel: +852-2377-0227, Fax: +852-2377-3921

URL: www.fqd.fujitsu.com/, Email: www-sales@fqd.fujitsu.com, www-technology@fqd.fujitsu.com