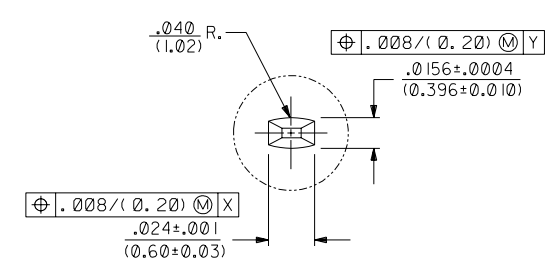
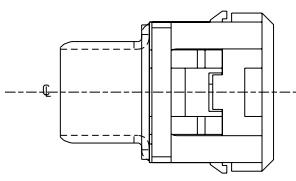
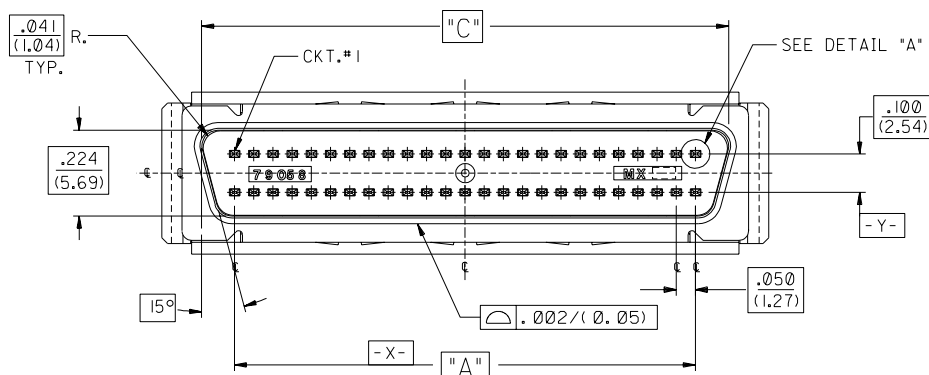


DETAIL "A"
SCALE 8:1



DETAIL A
SCALE = 20:1

50 CIRCUIT SHOWN

SEE SHEET 2 FOR ALL NOTES AND CHART.

2	H
1	H
MFG. SH.	REV.

DIMENSIONS SHOWN (METRIC) INCH UNLESS OTHERWISE SPECIFIED TOLERANCES: ANGULAR 1/2°		REVISE ONLY ON CAD SYSTEM	
3 PLACE ± .005	INCH	TITLE	
2 PLACE ± --- ± 0.13	METRIC	SCSI SHIELDED PLUG MODULAR SUB-ASSEMBLY KIT FOR .025 RIBBON CABLE	
1 PLACE --- ± ---		MOLEX INCORPORATED	SHEET NO. DATE
		U.S.A.	1 of 2 04/16/93
DRAFT WHERE APPLICABLE MUST REMAIN WITHIN DIMENSIONS		PART NO.	DRWG. NO.
DRWG. BY: J. Long		SEE SHEET 2	SDMS-79058-5***
CHK'D. BY: BOWEN		FILE NAME	THIS DRAWING CONTAINS INFORMATION THAT IS PROPRIETARY TO MOLEX INC. AND SHOULD NOT BE USED WITHOUT WRITTEN PERMISSION.
APPR'D. BY:		SD1905851	DC
SCALE 4:1			
LTR.	REVISIONS	LTR.	REVISIONS

NOTES:

- REFER TO PS-79058 PRODUCT SPEC FOR ELECTRICAL, MECHANICAL AND ENVIRONMENTAL SPECIFICATIONS.
- MATERIAL:
 PLUG HOUSING: GLASS FILLED PBT; UL 94V-0
 PLUG SHIELD: STEEL
 CONTACT: PHOSPHOR BRONZE
 UPPER HOUSING: GLASS FILLED PBT; UL 94V-0
- PACKAGING: SUBASSEMBLY SUPPLIED IN TUBES AND UPPER HSG. AND STRAIN-RELIEF SUPPLIED IN BULK PER PK-70873-0272.
- RECOMMENDED CABLE: 30 AWG STRANDED OR SOLID, .025 RIBBON. CONTACT MOLEX INC. FOR LIST OF APPROVED CABLES.
- APPLICATION TOOL CLOSURE OVER ASSY TO BE CONTROLLED TO .364±.001 USING A POSITIVE STOP TO ASSURE PROPER TERMINATION.

6. PLATING:

TERMINAL FINISH:

SELECTIVE GOLD: THICKNESS= 30 MICROINCHES/(0.76 MICROMETERS) MINIMUM.
 SELECTIVE TIN: THICKNESS= 75 MICROINCHES/(1.90 MICROMETERS) MINIMUM.
 NICKEL UNDERPLATE OVERALL.

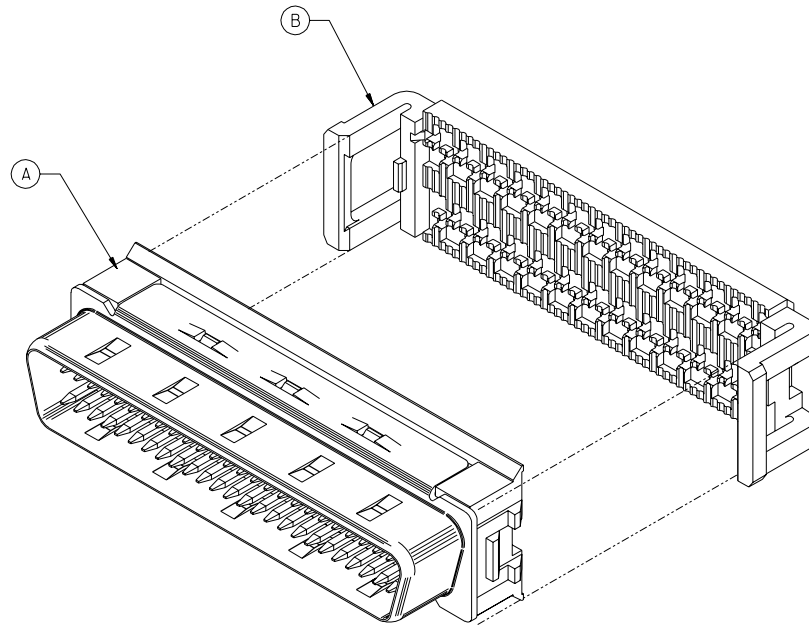
SHIELD FINISH:

BRIGHT NICKEL OVERALL:
 THICKNESS = 100 MICROINCHES/(2.54 MICROMETERS) MINIMUM.
 OVER COPPER FLASH (OPTIONAL).

NOTE FOR LEAD FREE CONVERSION:

THE PRIMARY SHIPPING CARTON WILL BE LABELED "COMPLIANT TO ROHS DIRECTIVE 2002/95/EC AND ELV ANNEX II OF DIRECTIVE 2000/53/EC". CARTONS WITHOUT THIS LABEL MAY CONTAIN PRODUCT WITH LEAD.

ITEM NO.	CKT. SIZE	ITEM	DESCRIPTION/ITEM NO.	QTY	"A"		"B"		"C"		"D"	
					IN.	MM.	IN.	MM.	IN.	MM.	IN.	MM.
X 79058-5040	40	A	PLUG ASSEMBLY : 79058-3040	1	.950	24.13	.975	24.77	1.122	28.50	1.327	33.71
		B	UPPER HOUSING : 70497-1040	1								
79058-5050	50	A	PLUG ASSEMBLY : 79058-3050	1	1.200	30.48	1.225	31.12	1.372	34.85	1.577	40.06
		B	UPPER HOUSING : 70497-1050	1								
79058-5068	68	A	PLUG ASSEMBLY : 79058-3068	1	1.650	41.91	1.675	42.54	1.822	46.28	2.027	51.49
		B	UPPER HOUSING : 70497-1068	1								



50 Circuit Shown

LTR.	REVISIONS	LTR.	REVISIONS
		H	SEE SHEET 1
		G	SEE SHHET 1

DIMENSIONS SHOWN (METRIC) INCH		UNLESS OTHERWISE SPECIFIED TOLERANCES: ANGULAR $\pm 1/2^\circ$	
5 PLACE	$\pm .005$	INCH	METRIC
2 PLACE	$\pm \dots$	± 0.13	
1 PLACE	\dots	$\pm \dots$	
DRAFT WHERE APPLICABLE MUST REMAIN WITHIN DIMENSIONS			
DRWG. BY: J. Lopez	CHK'D. BY: BOWEN	APP'D. BY:	SCALE: 4 : 1

MFG. SH. REV.		REVISE ONLY ON CAD SYSTEM	
TITLE: SCSI SHIELDED PLUG MODULAR SUB-ASSEMBLY KIT FOR .025 RIBBON CABLE			
MOLEX INCORPORATED	SHEET NO. 2	DATE 04/16/93	
U.S.A.	60532		
PART NO. SEE CHART	DRWG. NO. SDMS-79058-5***	THIS DRAWING CONTAINS INFORMATION THAT IS PROPRIETARY TO MOLEX INC. AND SHOULD NOT BE USED WITHOUT WRITTEN PERMISSION.	
FILE NAME: SD790585Z.DGN	DC	SIZE: C	