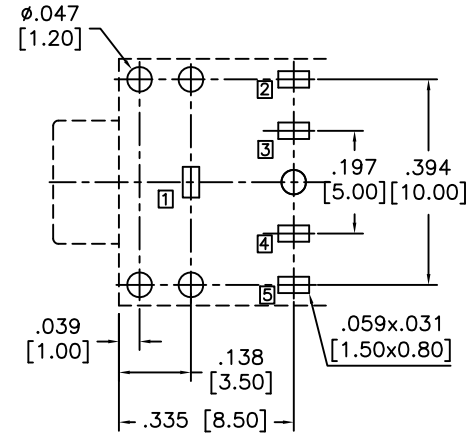
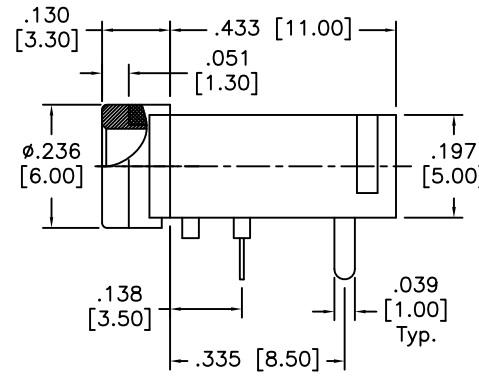
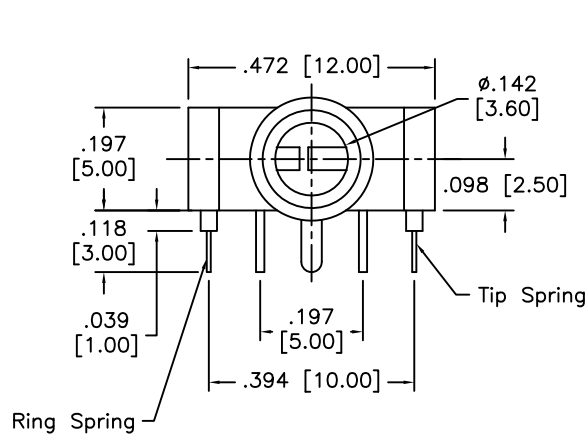
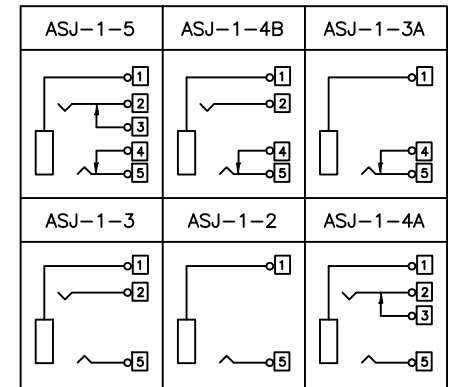
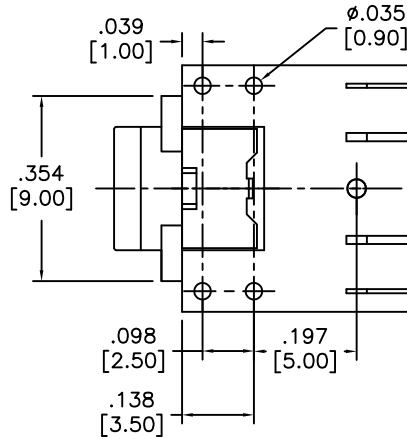
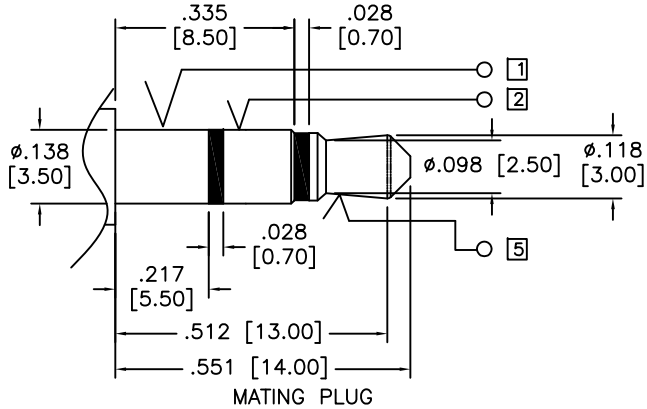


APPROVED: \_\_\_\_\_  
 DATE: \_\_\_\_\_ TITLE: \_\_\_\_\_

Rev	AWO #	Description	Date	Appr
-		RELEASED	7/12/10	
A		REVISED LAYOUT	8/31/11	
B		UPDATE DIM. & SPEC.	4/19/18	AY/TY



RECOMMENDED PCB LAYOUT



**SPECIFICATIONS:**  
 Material:  
 Insulator: PBT, rated UL 94V-0  
 Insulator color: Black  
 Contacts: Copper Alloy, Tin plated  
 Tip & Ring Spring: Stainless Steel, Tin plated  
 Bushing: Copper Alloy, Nickel plated  
 Electrical:  
 Rating: DC 30V, 0.5A.  
 Contact resistance: 50 mohms max.  
 Insulation resistance: 100 Mohms min.  
 Dielectric withstanding voltage: 500 VAC  
 Mechanical:  
 Insertion & Extraction Force: 3N ~ 30N.  
 Life Test: 5,000 Cycles min.  
 Temperature Rating:  
 Operating temperature: -20°C to +70°C  
 Environmental:  
 Lead free, RoHS compliant.



UNLESS OTHERWISE SPECIFIED  
 ALL DIMENSIONS ARE INCHES [MM]  
 TOLERANCES: EXCEPT AS NOTED  
 INCHES HOLES  
 .X ±.10 Ø.X ±.10  
 .XX ±.020 Ø.XX ±.015  
 .XXX ±.015 Ø.XXX ±.010

**ADAM TECH INTERCONNECTS**  
 909 Rahway Avenue,  
 Union, NJ 07083  
 Phone: 908-687-5000  
 Fax: 908-687-5710

APPROVALS		DATE
DRAWN	DY	7/12/10
CHECKED		
APPROVED		

TITLE <b>STEREO PHONE JACK, 3.5mm</b>		
SIZE <b>X</b>	PART NO. <b>ASJ-1-X</b>	REV. <b>B</b>
REF: S00002C	SCALE: NTS	SHEET 1 OF 1