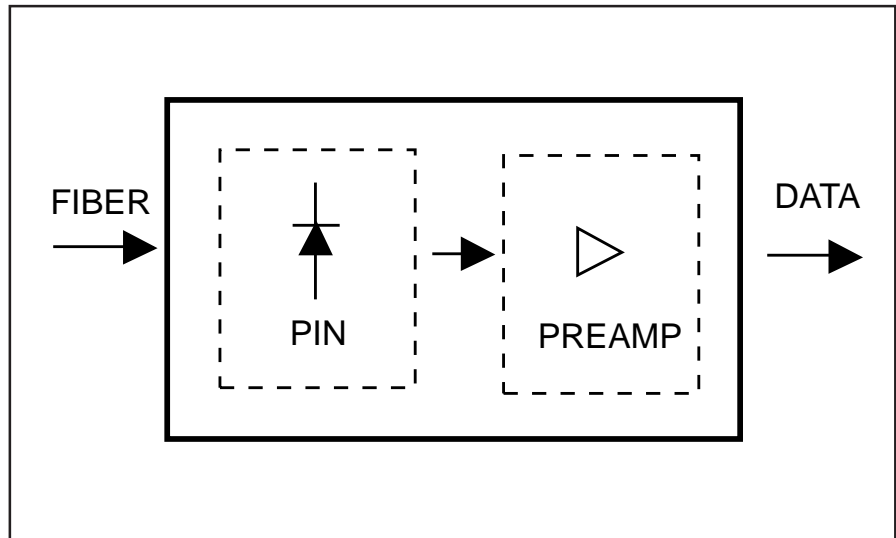


PGR 203 02

Optical Receiver Submodule for 2.5 Gbps

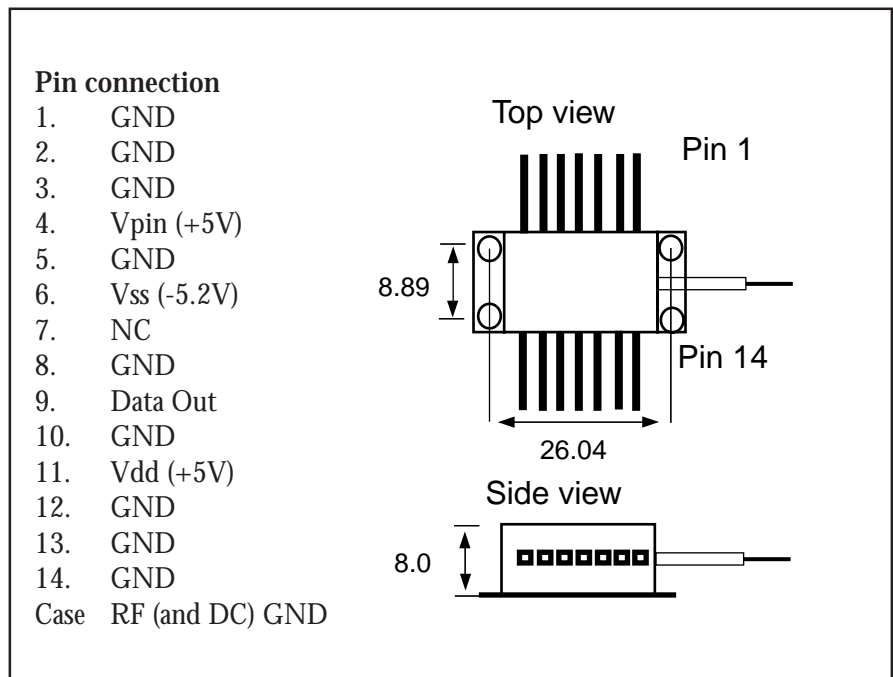


Key Features

- Hermetic, 14 pin butterfly package
- Single-mode fiber pigtail
- FC/PC, SC or ST connector
- InGaAs PIN photo diode with low noise GaAs MMIC preamplifier
- DC-coupled output
- Light "ON" = logic "LOW"
- Operates in the 1.3 μm and 1.55 μm optical window
- 1.7 GHz typical bandwidth
- -24 dBm typical sensitivity
- +0.5 dBm typical overload

Applications

- SDH STM-16 SH
- SONET OC-48 IR
- Digital receivers to 2.5 Gbps
- Analog receivers to 1.7 GHz



Electrical Characteristics

Ta=25C

Item	Symbol	Min	Nom	Max	Unit
DC Power Supply Voltage Range	Vdd	4.7	5.0	5.3	V
	Vss	-5.5	-5.2	-4.9	V
PIN Bias	Vpin		5		V

Ta=25C, nominal power supplies

Item	Symbol	Min	Nom	Max	Unit
DC Power Supply Current Range	Idd		90		mA
	Iss		70		mA
Power Consumption	Pcon		0.8		W
Operating Case Temperature	Tc	0		70	°C
Output Signal Swing; Pf=-24 to +0.5 dBm, RL=50Ω	Vout	5		1500	mVp-p
Output Offset Voltage	Vout, offs		0		V
Logic Sense: Light "ON" =Logic "LOW"					
AC Transimpedance; RL = 50Ω; TZ = dVout/dIphoto, ave	Tz		1.8		kΩ

Optical Characteristics

Ta=25C, nominal power supplies

Item	Symbol	Min	Nom	Max	Unit
Optical Wavelength	λ	1.25		1.6	μm
Sensitivity Pf @ BER=1e-10 (2.5 Gbps NRZ, PRBS 2 ²³ -1, λ =1.55 μm)	Pr		-24	-21	dBm
Optical Overload Pf @ BER=1e-10 (2.5 Gbps NRZ, PRBS 2 ²³ -1, λ =1.55 μm)	Pol	0	+0.5		dBm
Opto/Electrical Transfer Function:					
Cut-off Frequency	fc (-3dB)	1.4	1.8	2.3	GHz
Gain Peaking	∂_{peak}		0	1	dB

Quality Assurance

Ericsson Components commitment to quality has been proved through a decade of semiconductor device production and has been confirmed to ISO 9001. These products are qualified according to the intention of applicable Bellcore standards and Ericsson internal quality specifications, and supplied with final test data.

Connector Options

FC/PC

SC

ST

(Other connectors available on request)

American Sales Region

Phone: +1 (214) 997 0979

Fax: +1 (214) 437 8660

European Sales Region

Phone: +44 (1793) 488 300

Fax: +44 (1793) 488 301

Ericsson Components

Phone: +46 (8) 757 4402

Fax: +46 (8) 757 4621

Information given in this data sheet is believed to be accurate and reliable. However no responsibility is assumed for the consequences of its use nor for any infringement of patents or other rights of third parties which may result from its use. No license is granted by implication or otherwise under any patent or patent rights of Ericsson Components AB. These products are sold only according to Ericsson Components general conditions of sale, unless otherwise confirmed in writing.

Specifications subject to change without notice.
1522-PGR 203 02 Uen Rev. A
© Ericsson Components AB, February, 1999