



# QPQ1906

## Wi-Fi/IoT bandBoost Filter

### Product Overview

The Qorvo® QPQ1906 is an high-performance, high power, Bulk Acoustic Wave (BAW) band-pass filter with extremely steep skirts, simultaneously exhibiting low loss in the Wi-Fi band (Channels 10-11) and high near-in rejection in the 2.4GHz lower frequency channels.

The filter module is specifically designed to enable unique use cases where sub-dividing usable channels within the available Wi-Fi spectrum becomes an advantage. End users will see a capability to deliver Wi-Fi in channels 10 or 11 while providing rejection in lower frequency channels to allow simultaneous use of Wi-Fi, Zigbee, Thread or BLE channels.

Using common module packaging techniques to achieve the industry standard footprint while negating as many external passive placements to help end users ease of integration into their circuits



2 Pad 1.6x2.0mm Laminate Package

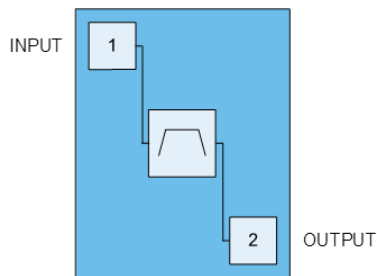
### Key Features

- 2447-2472 MHz
- Low Insertion Loss in Wi-Fi Channels 10-11
- High rejection in the lower band Wi-Fi (CH1-2), Zigbee, Thread or Bluetooth channels.
- Extended temperature performance from 0 to +90 °C
- High power handling to +28dBm averaged Input Power

### Applications

- Access Points
- Wireless Routers
- Residential Gateways
- Customer Premise Equipment
- Internet of Things

### Functional Block Diagram



Top View

### Ordering Information

Part Number	Description
QPQ1906SB	Sample bag with 5 pieces
QPQ1906SR	7" reel with 100 pieces
QPQ1906TR13	13" reel with 10,000 pieces
QPQ1906EVB-01	Assembled Evaluation Board

## Absolute Maximum Ratings

Parameter	Conditions	Rating
Operating Case Temperature	No damage	-40 to 105 °C
Storage Temperature		-40 to 125 °C

Exceeding any one or a combination of the Absolute Maximum Rating conditions may cause permanent damage to the device.

## Minimum Lifetime Ratings

Parameter	Conditions	Rating
MTTF >1M hours, +90°C	802.11n MCS0 signal, 10dB PAR, applied to Pin 1	+28 dBm

## Recommended Operating Conditions

Parameter	Min.	Typ.	Max.	Units
T <sub>OPERATING</sub> *	0		+90	°C

Electrical specifications are measured at specified test conditions. Specifications are not guaranteed over all recommended operating conditions. \* T<sub>OPERATING</sub> is temperature at the package ground

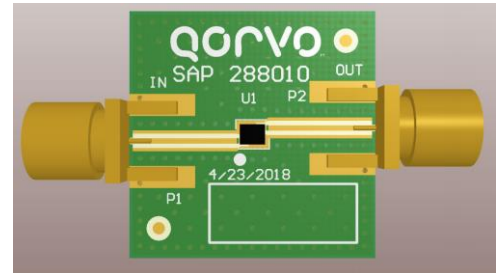
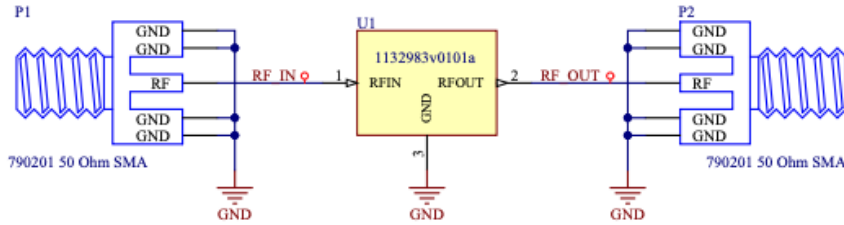
## Electrical Specifications

Parameter (INPUT-OUTPUT) <sup>(1)(5)</sup>	Conditions	Min.	Typ.	Max.	Units
Insertion Loss <sup>(2)</sup>	f = 2447.5-2466.5 MHz (CH10)	-	1.2	2.6	dB
	f = 2452.5-2471.5 MHz (CH11)	-	1.1	1.9	dB
Amplitude Variation	f = 2447.5-2466.5 MHz (CH10)	-	0.8	1.5	dB
	f = 2452.5-2471.5 MHz (CH11)	-	0.4	1.1	dB
INPUT VSWR	f = 2447.5-2466.5 MHz (CH10)		1.5:1	2:1	
	f = 2452.5-2471.5 MHz (CH11)		1.7:1	2:1	
OUTPUT VSWR	f = 2447.5-2466.5 MHz (CH10)		1.5:1	2.2:1	
	f = 2452.5-2471.5 MHz (CH11)		1.5:1	2:1	
INPUT Return Loss	f = 2447.5-2466.5 MHz (CH10)		13		dB
	f = 2452.5-2471.5 MHz (CH11)		11		dB
OUTPUT Return Loss	f = 2447.5-2466.5 MHz (CH10)		14		dB
	f = 2452.5-2471.5 MHz (CH11)		14		dB
Attenuation	f = 2402.5-2421.5 MHz (CH1) <sup>(3)(4)</sup>	48	58	-	dB
	f = 2407.5-2426.5 MHz (CH2) <sup>(3)(4)</sup>	50	57	-	dB

Notes:

- 1) All specifications are based on the QPQ1906 Applications Circuit
- 2) Data is the integrated value of the linear s-parameter over 19 MHz channel
- 3) Data is the integrated value of the linear s-parameter over 5 MHz range at the specified temperature
- 4) T = +25 to +65°C
- 5) Pin 1 must be used for input. The large signal performance of this filter, such as power handling, may not be symmetric.

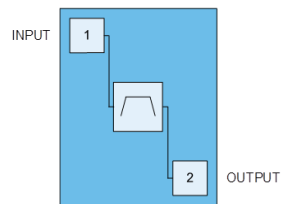
## Evaluation Board Schematic



## Bill of Material

Ref. Des.	Value	Description	Manuf.	Part number
-	-	Printed Circuit Board		
U1	-	Wi-Fi Bandedge BAW Filter	Qorvo	QPQ1906

## Pin Configuration and Description

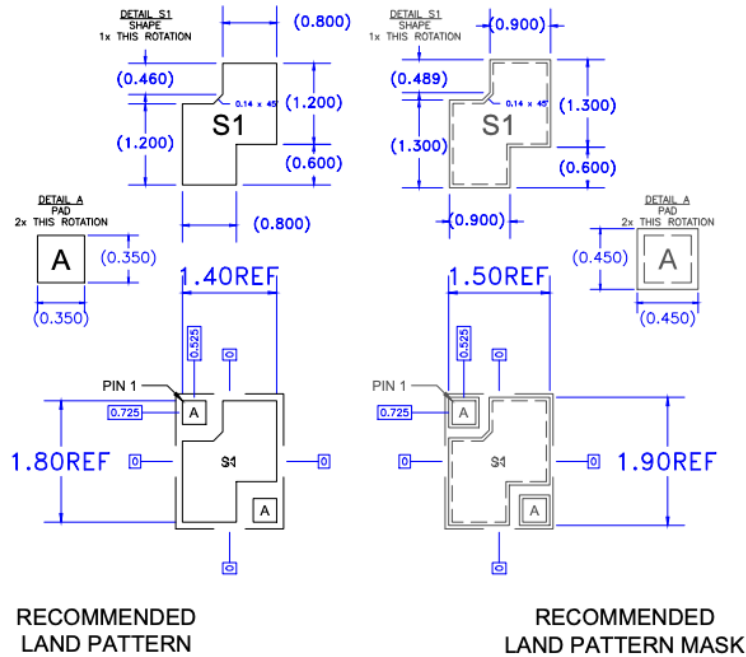
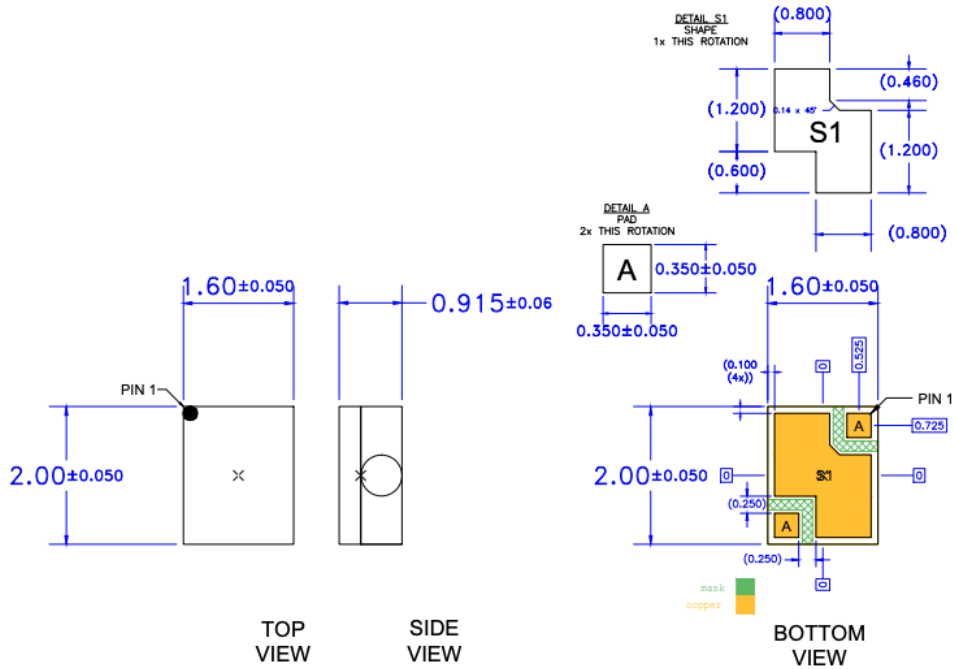


Top View

Pin Number	Label	Description
1	INPUT	RF input. Internally matched to 50 Ω.
2	OUTPUT	RF bi-directional port. Internally matched to 50 Ω
Backside Paddle	-	Ground connection.

Mechanical Information

Dimensions and PCB Mounting Pattern



Notes:

1. All dimensions are in millimeters. Angles are in degrees.
2. Dimension and tolerance formats conform to ASME Y14.4M-1994.
3. The terminal #1 identifier and terminal numbering conform to JESD 95-1 SPP-012.

## Handling Precautions

Parameter	Rating	Standard
ESD – Human Body Model (HBM)	Class 1C (1000V)	ANSI/ESD/JEDEC JS-001
ESD – Charged Device Model (CDM)	Class C3 (1000V)	ANSI/ESD/JEDEC JS-002
MSL – Moisture Sensitivity Level	Level 3	IPC/JEDEC J-STD-020



Caution!

ESD sensitive device

## Solderability

Compatible with both lead-free (260 °C max. reflow temperature) and tin/lead (245 °C max. reflow temperature) soldering processes.

Package lead plating: Electroless Ni/Electroless Pd/Immersion Au (ENEPIG)

## RoHS Compliance

This part is compliant with the 2011/65/EU RoHS directive (Restrictions on the Use of Certain Hazardous Substances in Electrical and Electronic Equipment), as amended by Directive 2015/863/EU.

This product also has the following attributes:

- Lead free
- Halogen Free (Chlorine, Bromine)
- Antimony Free
- TBBP-A (C<sub>15</sub>H<sub>12</sub>Br<sub>4</sub>O<sub>2</sub>) Free
- SVHC Free



## Contact Information

For the latest specifications, additional product information, worldwide sales and distribution locations:

**Web:** [www.qorvo.com](http://www.qorvo.com)

**Tel:** 1-844-890-8163

**Email:** [customer.support@qorvo.com](mailto:customer.support@qorvo.com)

## Important Notice

The information contained herein is believed to be reliable; however, Qorvo makes no warranties regarding the information contained herein and assumes no responsibility or liability whatsoever for the use of the information contained herein. All information contained herein is subject to change without notice. Customers should obtain and verify the latest relevant information before placing orders for Qorvo products. The information contained herein or any use of such information does not grant, explicitly or implicitly, to any party any patent rights, licenses, or any other intellectual property rights, whether with regard to such information itself or anything described by such information. **THIS INFORMATION DOES NOT CONSTITUTE A WARRANTY WITH RESPECT TO THE PRODUCTS DESCRIBED HEREIN, AND QORVO HEREBY DISCLAIMS ANY AND ALL WARRANTIES WITH RESPECT TO SUCH PRODUCTS WHETHER EXPRESS OR IMPLIED BY LAW, COURSE OF DEALING, COURSE OF PERFORMANCE, USAGE OF TRADE OR OTHERWISE, INCLUDING THE IMPLIED WARRANTIES OF MERCHANTABILITY AND FITNESS FOR A PARTICULAR PURPOSE.**

Without limiting the generality of the foregoing, Qorvo products are not warranted or authorized for use as critical components in medical, life-saving, or life-sustaining applications, or other applications where a failure would reasonably be expected to cause severe personal injury or death.

Copyright 2020 © Qorvo, Inc. | Qorvo is a registered trademark of Qorvo, Inc.