

ADVANCE INFORMATION

All information in this data sheet is preliminary and subject to change.

8/97

MAXIM

High-Speed, Low-Power, SOT23 Open-Loop Buffers

MAX4206-MAX4211

General Description

The MAX4206-MAX4211 high-speed, open-loop buffers feature high slew rate, high output current drive, and low noise. The MAX4207/MAX4210 have integrated 50Ω termination resistors, making them ideal for driving 50Ω transmission lines. The MAX4208/MAX4211 include on-chip 75Ω back-termination resistors for driving 75Ω transmission lines. The MAX4206/MAX4209 have no internal termination resistors.

These devices use a proprietary architecture to achieve a 1.5GHz -3dB bandwidth, a 200MHz 0.1dB bandwidth, a slew rate of up to 5000V/μs, and an output current drive of ±80mA. These buffers operate on ±5V supplies and draw only 5mA of quiescent current. These features, along with a spurious-free dynamic range (SFDR) of -54dBc at 20MHz, make these devices suitable for driving high-speed analog-to-digital converter inputs or for data-communications applications.

Applications

- High-Speed DAC Buffers
- Wireless LANs
- Digital Transmission Line Drivers
- High-Speed ADC Input Buffers

Selector Guide

PART	NUMBER OF AMPLIFIERS	OUTPUT TERMINATION (Ω)	PIN-PACKAGE
MAX4206	1	—	8 SO 5 SOT23
MAX4207	1	50	8 SO 5 SOT23
MAX4208	1	75	8 SO 5 SOT23
MAX4209	2	—	8 SO/μMAX
MAX4210	2	50	8 SO/μMAX
MAX4211	2	75	8 SO/μMAX

Features

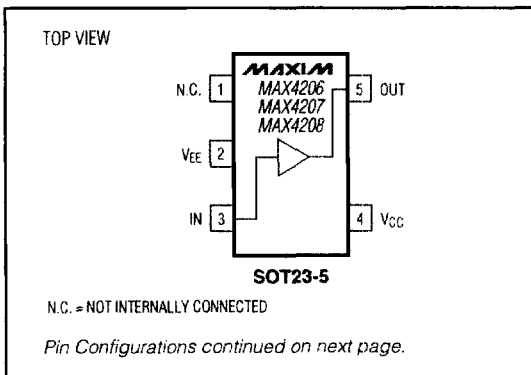
- ◆ 5mA Supply Current
- ◆ High Speed:
 - 800MHz -3dB Bandwidth (MAX4206/09)
 - 1.5GHz -3dB Bandwidth (MAX4207/08/10/11)
- ◆ 200MHz 0.1dB Gain Flatness (MAX4206/07/09/10)
- ◆ 5000V/μs Slew Rate
- ◆ -54dBc SFDR at 20MHz
- ◆ ±80mA Output Drive (MAX4206/09)
- ◆ Available in Space-Saving SOT23 or μMAX Packages

Ordering Information

PART	TEMP. RANGE	PIN-PACKAGE	SOT TOP MARK
MAX4206ESA	-40°C to +85°C	8 SO	—
MAX4206EUK-T	-40°C to +85°C	5 SOT23-5	ABAC
MAX4207ESA	-40°C to +85°C	8 SO	—
MAX4207EUK-T	-40°C to +85°C	5 SOT23-5	ABAD
MAX4208ESA	-40°C to +85°C	8 SO	—
MAX4208EUK-T	-40°C to +85°C	5 SOT23-5	ABAE
MAX4209ESA	-40°C to +85°C	8 SO	—
MAX4209EUA	-40°C to +85°C	8 μMAX	—
MAX4210ESA	-40°C to +85°C	8 SO	—
MAX4210EUA	-40°C to +85°C	8 μMAX	—
MAX4211ESA	-40°C to +85°C	8 SO	—
MAX4211EUA	-40°C to +85°C	8 μMAX	—

Pin Configurations

8



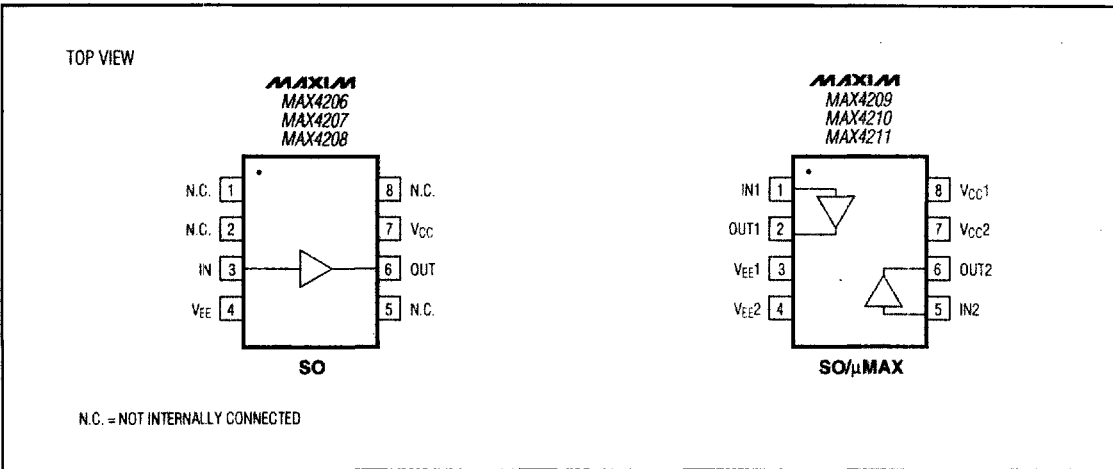
MAXIM

Maxim Integrated Products 8-77

For free samples & the latest literature: <http://www.maxim-ic.com>, or phone 1-800-998-8800.
For small orders, phone 408-737-7600 ext. 3468.

High-Speed, Low-Power, SOT23 Open-Loop Buffers

Pin Configurations (continued)



Typical Operating Circuit

