

FEATURES

- HIGH RELIABILITY FOR LOW COST
- CHEAPEST AVAILABLE SMD-CLOCK-OSCILLATOR
- FREQUENCY STABILITY TO +/-15 PPM AVAILABLE
- SUPPLY VOLTAGE OF 5.0, 3.3, 2.5 AND 1.8 VDC AVAILABLE
- NEW STANDARD FOR SMALL LOW COST OSCILLATORS
- EXTENDED TEMPERATURE RANGE TO -40/+105°C AVAILABLE



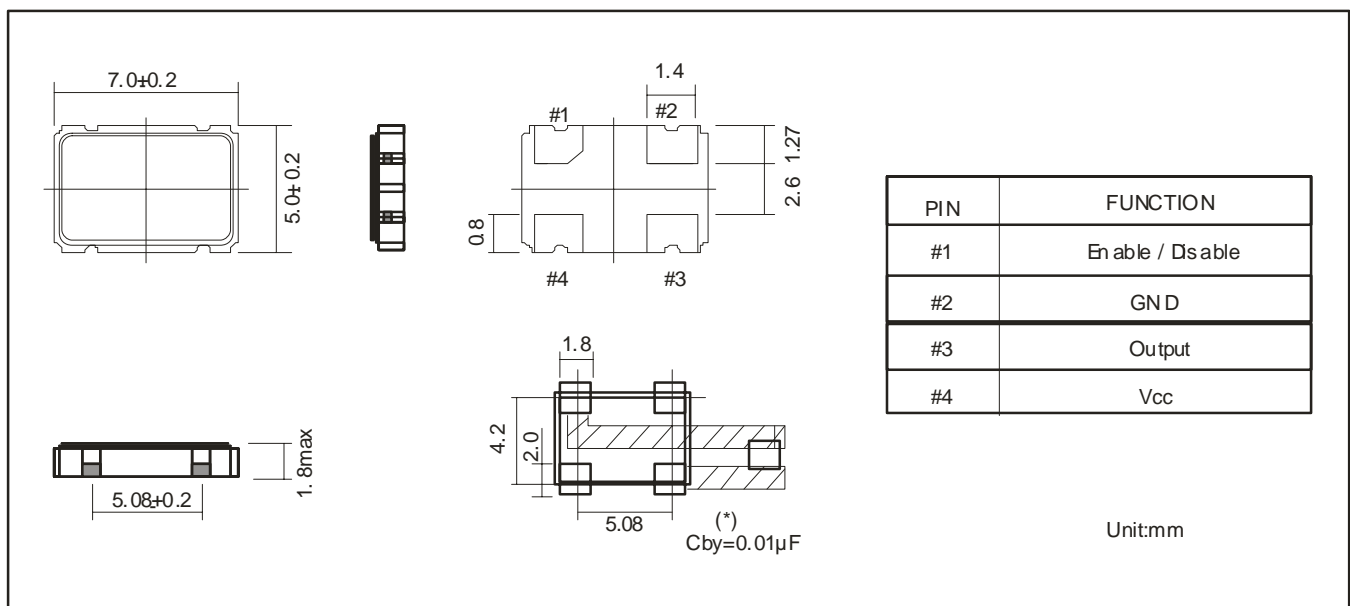
SMD-LOW-COST CLOCK-OSCILLATOR SERIES		SXO-0507	
PACKAGE		Ceramic package 7 x 5 x 1,8 mm ³	
FREQUENCY RANGE	5.0 VOLT	1.0 ~ 160.0 MHz	
	3.3 VOLT	1.0 ~ 160.0 MHz	
FREQUENCY STABILITY		+/-15 ~ +/-100 PPM	
OPERATING TEMPERATURE RANGE		-10/+60°C ~ -40/+105°C	
STORAGE TEMPERATURE RANGE		-55/+125°C	
INPUT	VOLTAGE	+5.0 VDC +/-10%	+3.3 VDC +/-10%
	CURRENT	1.0 ~ 4.0 MHz = 10 mA max.	1.0 ~ 4.0 MHz = 10 mA max.
		4.0 ~ 32.0 MHz = 30 mA max.	4.0 ~ 32.0 MHz = 20 mA max.
		32.0 ~ 80.0 MHz = 45 mA max.	32.0 ~ 80.0 MHz = 30 mA max.
		80.0 ~ 160.0 MHz = 80 mA max.	80.0 ~ 160.0 MHz = 40 mA max.
Lower input currents are available on request. Please indicate the special value when required.			
OUTPUT	SYMMETRY	STANDARD	40/60%
		OPTION	45/55%
	RISE AND FALL TIME		5 ns typical / 10 ns max.
	"0" LEVEL	TTL 5 VOLT	0.4 V max.
	"1" LEVEL		+2.4 V min.
	"0" LEVEL	CMOS 5 VOLT	0.4 V (10% VDD)
	"1" LEVEL		+4.5 V (90%VDD)
	"0" LEVEL	TTL 3.3 VOLT	0.4 V max.
	"1" LEVEL		+1.4 V min.
	"0" LEVEL	CMOS 3.3 VOLT	0.1 V (10% VDD)
"1" LEVEL	+2.97 V (90%VDD)		
LOAD	TTL	1 ~ 10 TTL	
	CMOS	15 ~ 50 pF	
PIN 1	STANDARD	WITHOUT ENABLE/DISABLE FUNCTION	
	OPTION	WITH ENABLE/DISABLE FUNCTION	
OTHER PARAMETERS ARE AVAILABLE ON REQUEST / CREATE HERE YOUR SPECIFICATION			

PART NUMBERING SYSTEM

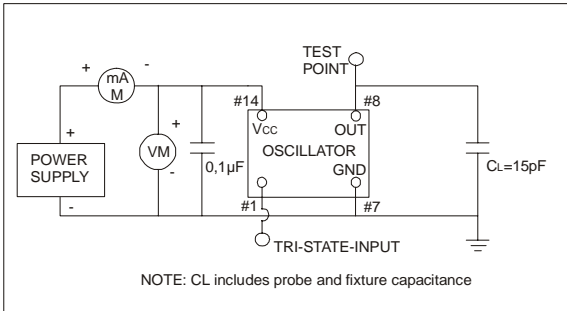
EXAMPLE	SXO3-0507-S-E-50-W-27.000MHz-T
SERIES	SXO-0507 FOR 5 VOLT
	SXO3-0507 FOR 3.3 VOLT
SYMMETRY	BLANK FOR 40/60%
	S FOR 45/55%
PIN 1 ENABLE/DISABLE	BLANK FOR NO E/D
	E FOR E/D
FREQUENCY STABILITY	BLANK FOR 100 PPM
	ANY 15 ~ 50 PPM
TEMPERATURE RANGE	BLANK FOR 0/+70°C
	N = -10/+60°C
	M = -20/+70°C
	W = -40/+85°C
	Y = -40/+105°C
FREQUENCY	FREQUENCY IN MHz
TAPE AND REEL	-T

Please see separate data sheets for the versions with 1.8 or 2.5 VDC supply voltage.

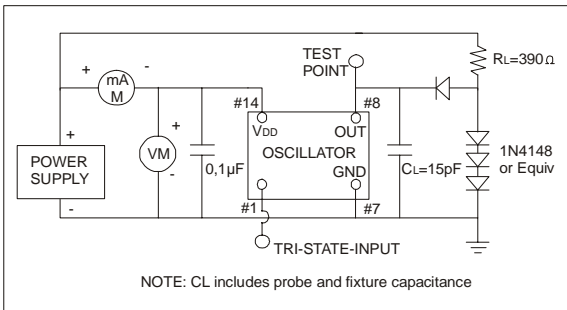
OUTLINE DRAWING OF SXO-0507



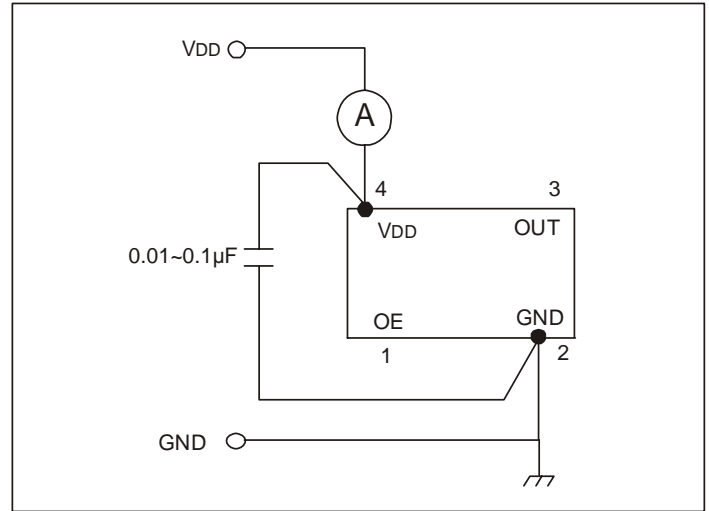
TEST CIRCUIT CMOS



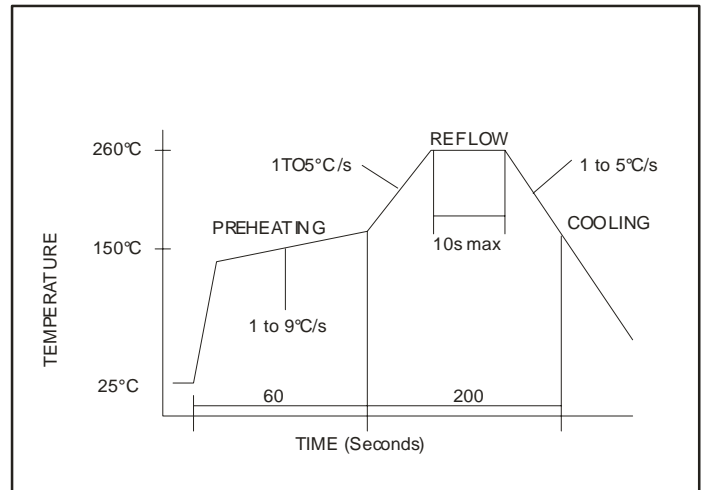
TEST CIRCUIT TTL



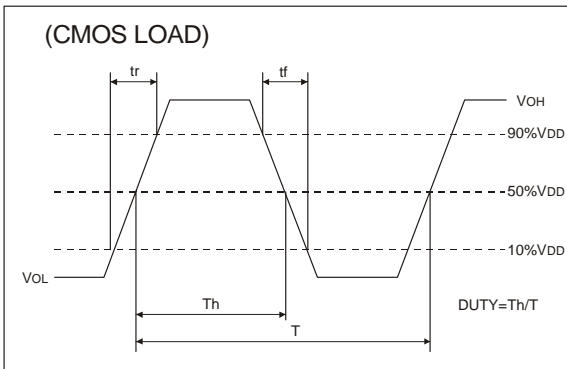
INPUT CURRENT



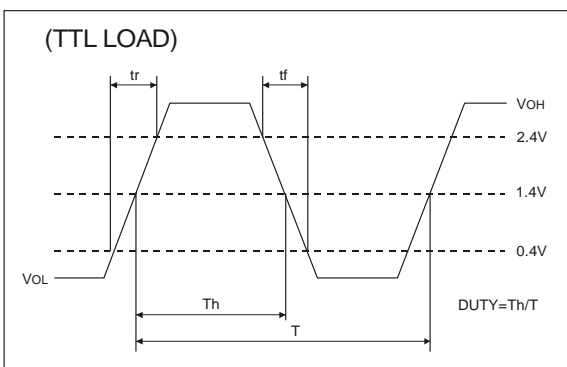
REFLOW SOLDER PROFILE



OUTPUT WAVE FORM CMOS



OUTPUT WAVE FORM TTL



TAPE AND REEL DIMENSIONS

