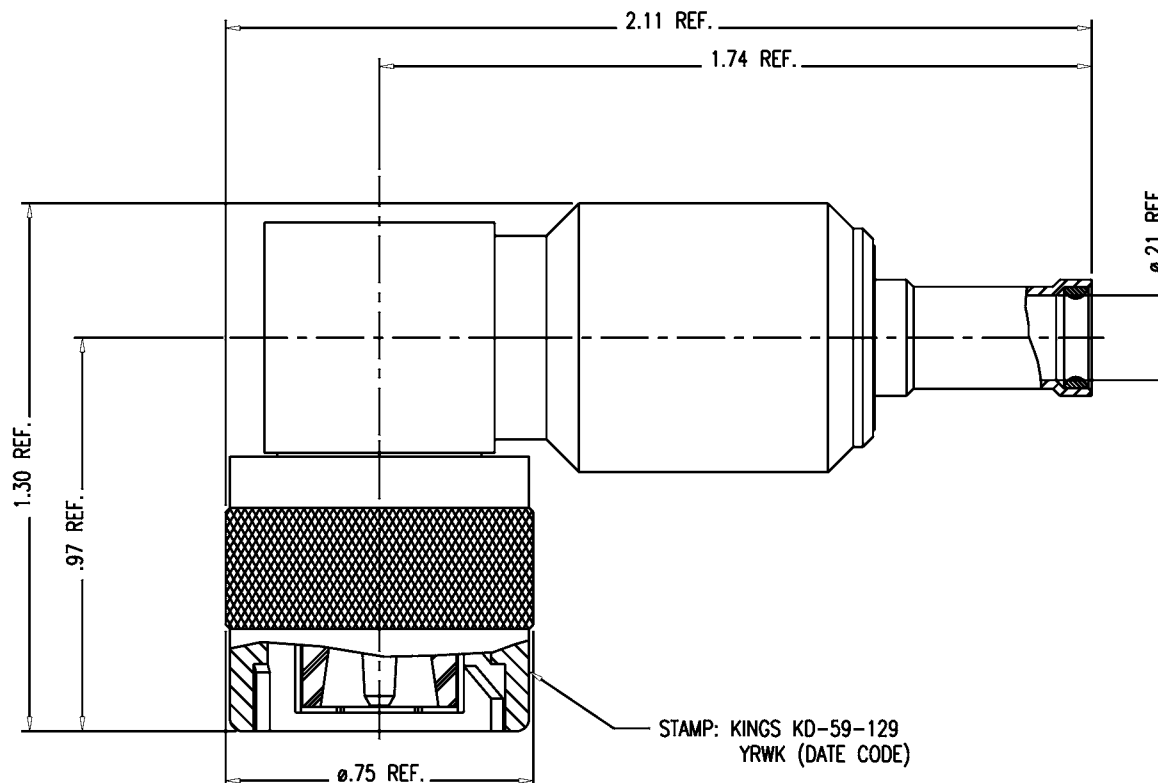


| | | |
|----------|--------|-----------|
| DASH NO. | M CODE | MADE FROM |
|----------|--------|-----------|

GSD

KD-59-129



REVISIONS

| ISSUE | CHANGES |
|-------|----------------------------|
| 0 | ER 15113 GA 12/23/75 |
| 1 | CN 15275 A LI 12/31/75 |
| 2 | CN 15296 A LI 01/07/76 |
| 3 | CN 15667 C MJB 04/23/76 |
| 4 | CN 29822 C KH 05/16/88 |
| 5 | CN 33167 C KH 07/09/91 |
| 6 | CN 38725 E BDH 11/21/02 |

NOTES:

- FOR USE WITH RG-58C/U, BA-5903, & RAYCHEM 09.058 CABLE.
- FOR CABLING INSTRUCTIONS SEE CP-5406
- FOR CRIMPING USE CRIMP DIE KTH-2101
- INTERFACE PER MIL-STD-348, FIG. 301-1.
- MARK PACKAGE: KINGS KD-59-129
YRWK (DATE CODE)
- MATERIALS:
INSULATORS: TEFLON, ASTM-D-4894
FEMALE CENTER CONTACT, OUTER CONTACT, & SPRING WASHERS: BER. COP., ASTM-B-196
CRIMP SLEEVE: COMM. BRONZE, ASTM-B-140
GASKET: SILICON RUBBER, ZZ-R-765
ALL OTHER METAL PARTS: BRASS, ASTM-B16
- FINISHES:
CENTER CONTACTS: HARD GOLD PLATE
SPRING WASHER & OUTER CONTACT: SILVER PLATE PER QQ-S-365
ALL OTHER METAL PARTS: KINGS TARNISH RESISTANT NICKEL FINISH.

| | | |
|---------------------|------------|---------------|
| SCALE | 3:1 | |
| APPROX SURFACE AREA | | |
| USED ON | | |
| REF: | | |
| | PL, ANG, C | |
| DRAWN | GINO | DATE 12/08/75 |
| DESIGN | LI | DATE 12/23/75 |
| APPR. | | DATE |

KINGS
ELECTRONICS CO., INC.
ROCK HILL, SOUTH CAROLINA 29730

GSD

KD-59-129