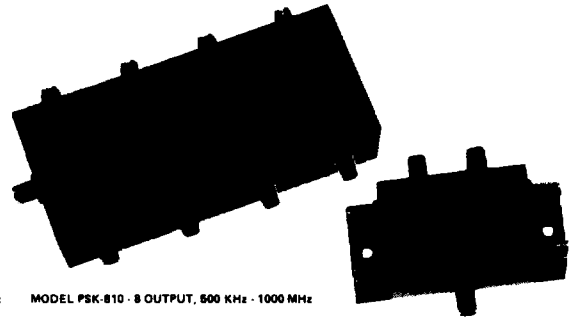


TOROIDAL
DIVIDERS, POWER
6,8,12,16 OUTPUTS 0.01-1 GHz

SERIES PSK-612/PSK-812

GENERAL SPECIFICATIONS:

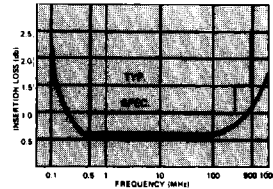
VSWR: 1.30 Typical
Impedance: 50 ohms nominal
Matched Power Rating: 1 Watt Max.
Weight: 5 Grams
 Connector Type, 42 Grams
Temperature Range: -55 to 100°C (operating & storage)



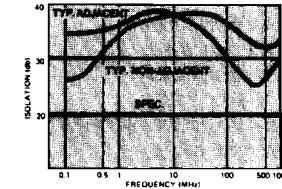
ENVIRONMENTAL SPECS: MIL-STD-202E

Moisture Resistance: Method 106D
Salt Spray: Method 101D
Vibration High Frequency: Method 204C
Shock Test: Method 213B
 Workmanship in Accordance with MIL-STD-454D
 Requirements 5 and 9

MODEL PSK-810 - 8 OUTPUT, 500 KHz - 1000 MHz



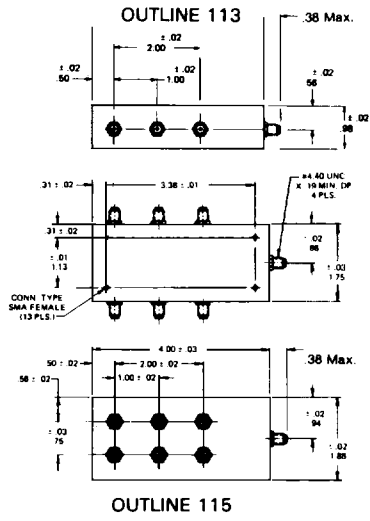
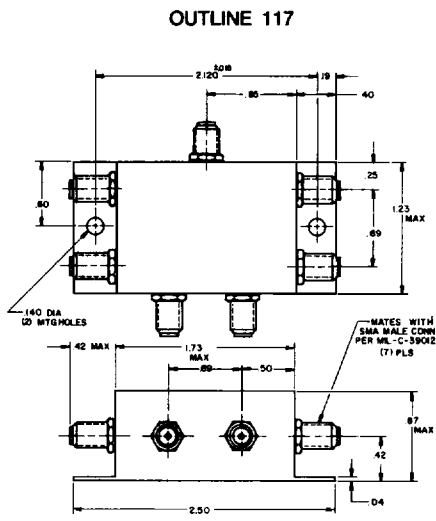
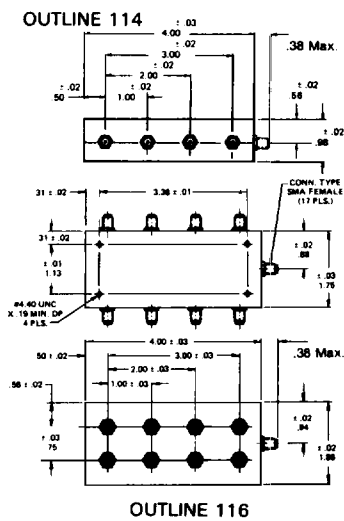
MODEL PSK-810 - 8 OUTPUT, 500 KHz - 1000 MHz



6-16 OUTPUTS

No. of Outputs	Model*	Frequency (MHz)	Ins. Loss (dB Max.)	Isolation (dB Min.)	Amp. Bal./ (±dB)	Phase Balance (±Deg.)	Outline
6	PSK-610	0.5-500	1.8	20	0.3	4	113
	PSK-611	0.01-25	1.0	25	0.2	1	113
	PSK-612M	1.00-100	1.0	30	0.1	2	117
	PSK-613M	10.00-500	1.8	20	0.6	6	117
8	PSK810	0.5-800	2.0	20	0.6	9	114
		800-1000	3.0	20	0.3	2	114
	PSK-811	1-100	1.2	25	0.3	3	114
	PSK-812	5-200	1.2	30	0.1	1	114
	PSK-870**	55-85	1.5	20	0.2	2	115
12	PSK-1210	1-200	3.0	20	0.5	3	115
	PSK-1211	1.1-25	2.5	20	0.2	2	115
16	PSK-1610	0.5-250	3.5	20	0.5	5	116
	PSK-1611	0.1-100	2.0	20	0.2	3	116

*Above power split **75 ohms



*Specify connector type with last character of model no.
 M = SMA T = TNC
 B = BNC N = Type N



31 Farinella Drive • East Hanover, NJ 07936 • Phone: (201) 884-1423
 TWX: (710) 986-8202 • FAX: (201) 884-0445