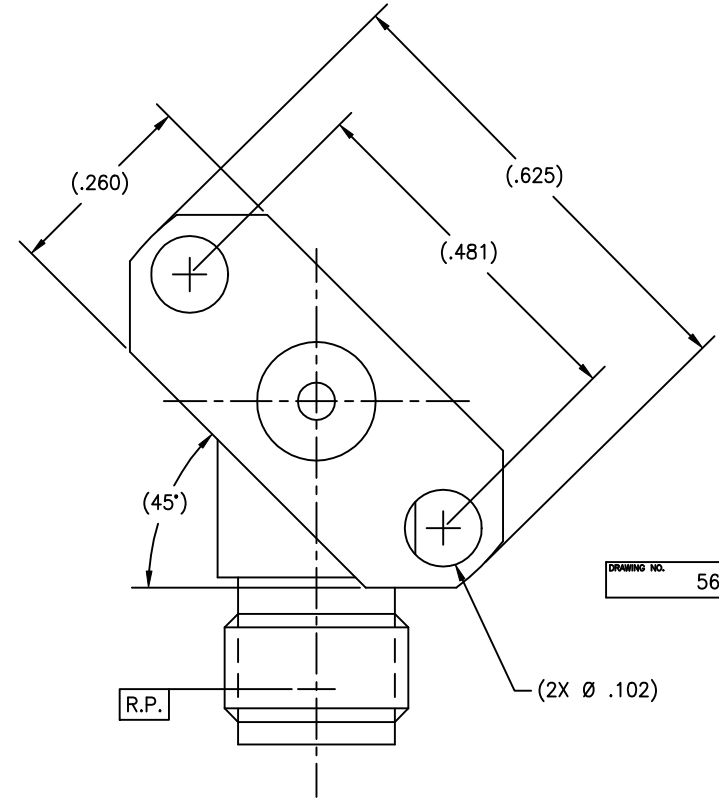
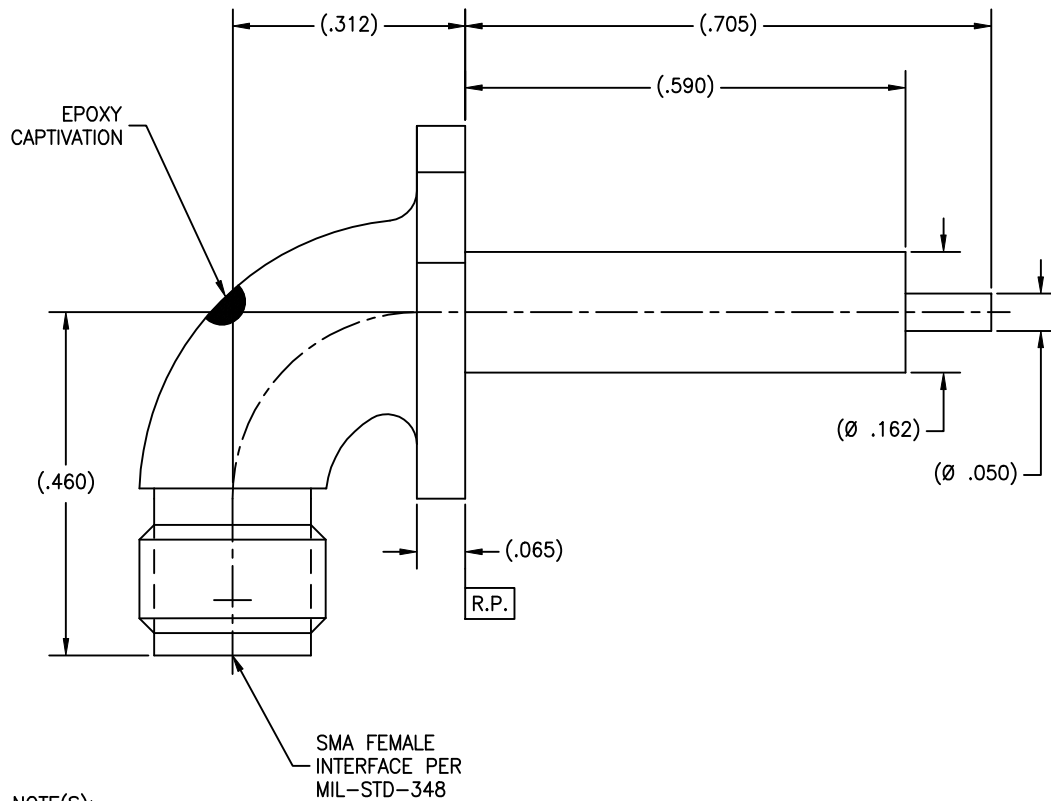


P/N	APPLICABLE NOTE(S)
BASIC	1,2,3
SF	1,2,3
CC	1,2,3
CCSF	1,2,3

REVISIONS				
ZONE	REV	DESCRIPTION	DATE	BY
-	-	-	-	-



DRAWING NO.	5649	REV.	-
-------------	------	------	---

NOTE(S):

- MATERIALS:
  - BODY: 304 SST PER AMS-5511
  - INSULATOR: PTFE PER ASTM D-1710.
  - CENTER CONDUCTOR: BeCu ALLOY C173 PER ASTM B-196.
  - EPOXY: (FOR CC's & CCSF's) SIGMA VF TYPE HV.
- FINISH(ES):
  - BODY:
    - (FOR SF's & CCSF's) PASSIVATED PER ASTM A-967.
    - (FOR BASIC & CC's): GOLD PLATE PER ASTM B-488 OVER NICKEL PLATED PER AMS-QQ-N-290.
  - CENTER CONDUCTOR:
    - GOLD PLATE PER ASTM B-488 OVER NICKEL PLATED PER AMS-QQ-N-290.
  - INSULATOR & EPOXY: NONE.

**NOTICE**  
 THIS DRAWING EMBODIES A CONFIDENTIAL PROPRIETARY DESIGN ORIGINATED BY TENSOLITE COMPANY AND ALL DESIGN, MANUFACTURING REPRODUCTION, USE AND SALE RIGHTS REGARDING THE SAME ARE EXPRESSLY RESERVED. IT IS SUBMITTED UNDER A CONFIDENTIAL RELATIONSHIP FOR A SPECIFIED PURPOSE AND THE RESPONDENT AGREES BY ACCEPTING THIS DRAWING NOT TO SUPPLY OR DISCLOSE ANY INFORMATION REGARDING IT TO ANY UNAUTHORIZED PERSON OR TO INCORPORATE IN OTHER PRODUCTS ANY SPECIAL FEATURES PECULIAR TO THIS DESIGN. ALL PATENT RIGHTS HERETO ARE EXPRESSLY RESERVED BY TENSOLITE COMPANY, LONG BEACH, CALIFORNIA 90815

**TOLERANCES AND NOTES EXCEPT AS NOTED**  
 DIMENSIONS ARE IN INCHES.  
 LINEAR .001 ± 0.015  
 .004 ± 0.003  
 FRACTION ± 1/32  
 1. MACHINE FINISH: 63 RMS  
 2. BREAK ALL SHARP EDGES .003 MAX.  
 3. MACHINED FILLETS: .005 MAX.  
 4. MACHINED SURFACES SQUARE TO RESPECTIVE AXIS WITHIN .005 INCHES PER INCH.  
 5. MACHINED DIAMETERS CONCENTRIC WITHIN .002 T.I.R.  
 6. DIMENSIONS TO BE MET BEFORE PLATING.  
 7. CHAMFER ALL THREADS 45°.  
 8. THREADS PER 11-28  
 9. REMOVE FRAYED EDGES ON TEFLON.  
 10. REMOVE ALL BURRS.

SEE NOTES	-	SEE NOTES	-
MATERIAL	SIZE	SPECIFICATION	PROCUREMENT
NEXT ASSY	<b>Tensolite</b> HIGH PERFORMANCE CABLES & INTERCONNECT SYSTEMS Long Beach, California 90815		
APPROVAL INITIALS	DATE	TITLE SMA FEMALE RADIUS RIGHT ANGLE 2 HOLE FLANGE (.260 X .625) MOUNT (45° LEFT) TO STRAIGHT TERMINATION	
DRAWN BY: IMG	02.26.02	SCALE: 8:1	SUB-DIRECTORY/FILENAME: OL
CHECKED		SIZE: C	CAGE CODE: 30990
ENGINEERING: ATV	06.19.02	DRAWING NO.:	5649
		SHEET 1	OF 1
		REV.	-