

VCXO - 199

[MODEL]

VCXO - 199 : Voltage controlled crystal oscillator

[FEATURES]

- Wide frequency range .

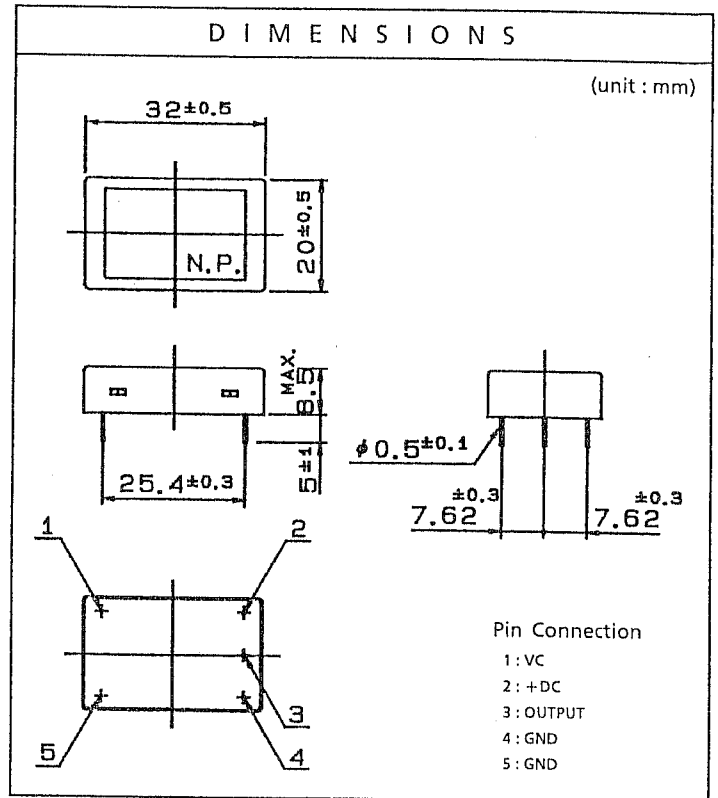
[TYPICAL APPLICATIONS]

- PLL oscillator for ISDN
- H.D. camera

[STANDARD FREQUENCIES]

- 51.84MHz , 155.52MHz
- 74.25MHz , 148.5MHz

* Please do not clean using any kind of liquid cleansing method.



[SPECIFICATIONS]

| MODEL | | VCXO - 199 |
|---------------------------------------|--------------------------|---|
| Frequency range | | 30 MHz to 160 MHz |
| Storage temperature range | | -20°C to +80°C |
| Operating temperature range | | -10°C to +75°C |
| Frequency temperature characteristics | | $\pm 40 \times 10^{-6} \text{ max.} / -10^\circ\text{C to } +75^\circ\text{C}$ |
| Frequency aging | | $\pm 5 \times 10^{-6} \text{ max.} / \text{year}$ |
| Supply voltage change | | $\pm 4 \times 10^{-6} \text{ max.} / +5.0\text{V} \pm 5\%$ |
| Frequency deviation | | $\pm 120 \times 10^{-6} \text{ min.} / +2.5\text{V} \pm 2.5\text{V (positive)}$ |
| Power supply | Voltage | +5.0V $\pm 5\%$ |
| | Current | 40 mA max. |
| Output | Level | 0dBm min. |
| | Load | 50 Ω |
| | Harmonics / subharmonics | -30dB max. |
| Input impedance | | 100 k Ω min. |

- ※ If specifications does not meet your requirements. We will design a unit to your requirements.
- ※ All specifications and details published are subject to change without notice.