



## WR-42 to SMA Female Waveguide to Coax Adapter 18 GHz to 26.5 GHz

### TECHNICAL DATA SHEET

PE9844

#### WR-42 to SMA Female Waveguide to Coax Adapter 18 GHz to 26.5 GHz

##### Configuration

Waveguide Interface	WR-42
RF Connector	SMA Female
RF Connector Impedance	50 Ohms
Body Style	End Launch

##### Electrical Specifications

Frequency Range, GHz	18 to 26.5
Maximum VSWR	1.3:1

##### Mechanical Specifications

###### Size

Length, in [mm]	0.94 [23.88]
Width/Dia., in [mm]	0.88 [22.35]
Height, in [mm]	0.88 [22.35]

###### Waveguide Interface

Type	WR-42
Body Material and Plating	Aluminum

###### RF Connector

Type	SMA Female
Body Material and Plating	Passivated Stainless Steel

**Compliance Certifications** (visit [www.Pasternack.com](http://www.Pasternack.com) for current document)

##### Plotted and Other Data

Notes: Values at 25 °C, sea level

WR-42 to SMA Female Waveguide to Coax Adapter 18 GHz to 26.5 GHz from Pasternack Enterprises has same day shipment for domestic and International orders. Our RF, microwave and fiber optic products maintain a 99% availability and are part of the broadest selection in the industry.

Click the following link (or enter part number in "SEARCH" on website) to obtain additional part information including price, inventory and certifications: [WR-42 to SMA Female Waveguide to Coax Adapter 18 GHz to 26.5 GHz PE9844](http://www.pasternack.com/wr-42-sma-female-end-launch-waveguide-coax-adapter-18-ghz-26.5-ghz-pe9844-p.aspx)

URL: <http://www.pasternack.com/wr-42-sma-female-end-launch-waveguide-coax-adapter-18-ghz-26.5-ghz-pe9844-p.aspx>

The information contained in this document is accurate to the best of our knowledge and representative of the part described herein. It may be necessary to make modifications to the part and/or the documentation of the part, in order to implement improvements. Pasternack reserves the right to make such changes as required. Unless otherwise stated, all specifications are nominal.

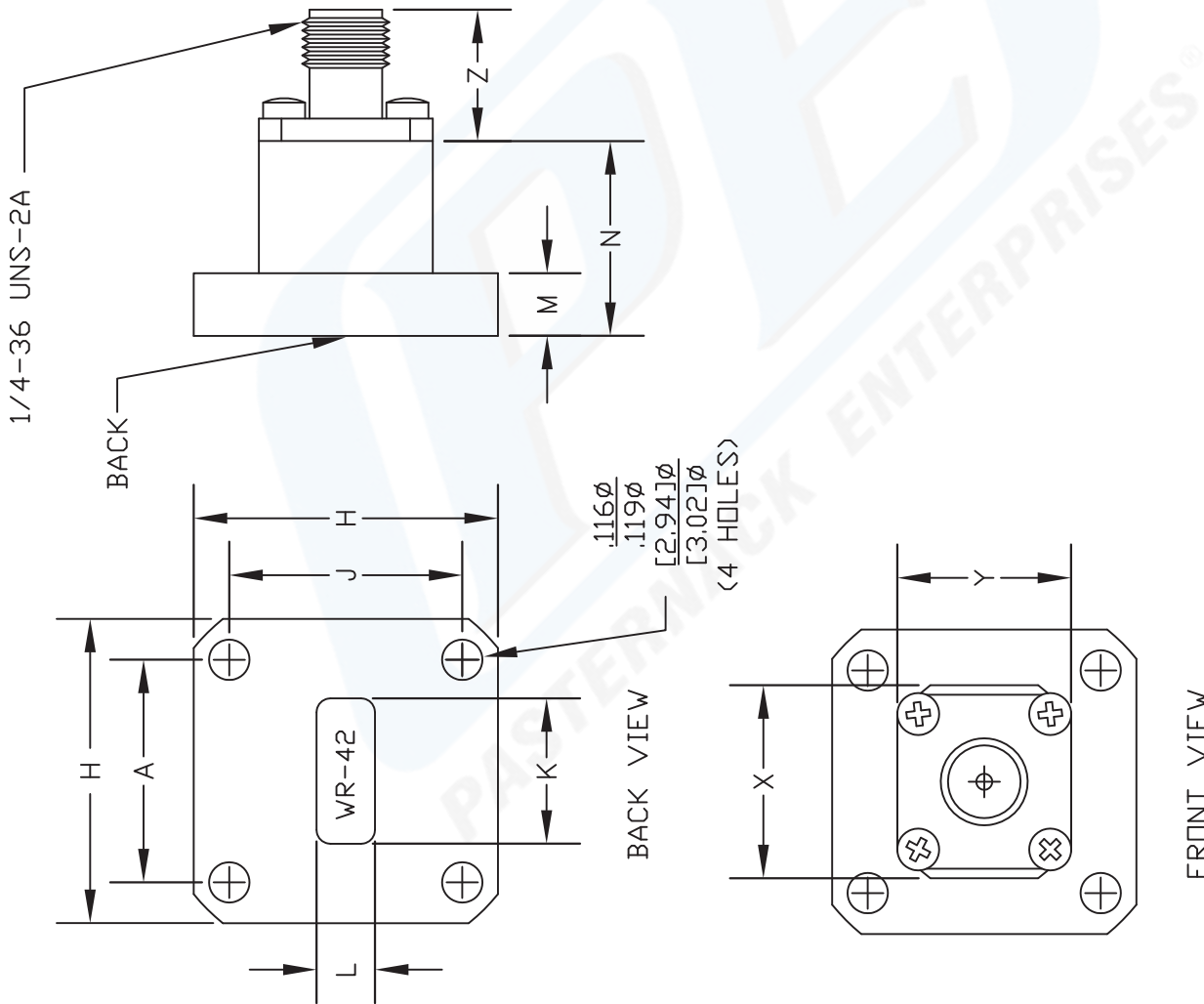


# PE9844 CAD Drawing

WR-42 to SMA Female Waveguide to Coax Adapter 18 GHz to 26.5 GHz

WR42		
Dimension	Inches	mm
A	0.640	16.26
H	0.875	22.23
J	0.670	17.02
K ( $\pm 0.002$ )	0.420	10.67
L ( $\pm 0.002$ )	0.170	4.32

M	0.175	4.45
N	0.560	14.22
X	0.555	14.10
Y	0.500	12.70
Z (TYP.)	0.375	9.53



NOTES:  
 1. UNLESS OTHERWISE SPECIFIED ALL DIMENSIONS ARE NOMINAL.  
 2. ALL SPECIFICATIONS ARE SUBJECT TO CHANGE WITHOUT NOTICE AT ANY TIME.  
 3. DIMENSIONS ARE IN INCHES [mm].

DWG TITLE  
**PE9844**

**PASTERNAK ENTERPRISES, INC.**  
 PO BOX 16759, IRVINE, CA 92623  
 PHONE (949) 261-1920 FAX (949) 261-7451  
 WEB ADDRESS: [www.pasternack.com](http://www.pasternack.com)  
 E-MAIL ADDRESS: [sales@pasternack.com](mailto:sales@pasternack.com)  
**COAXIAL & FIBER OPTICS**  
 ESTABLISHED 1972



REV. A	FSCM NO. 53919	CAD FILE 062907	SCALE N/A	SIZE A	127
--------	----------------	-----------------	-----------	--------	-----