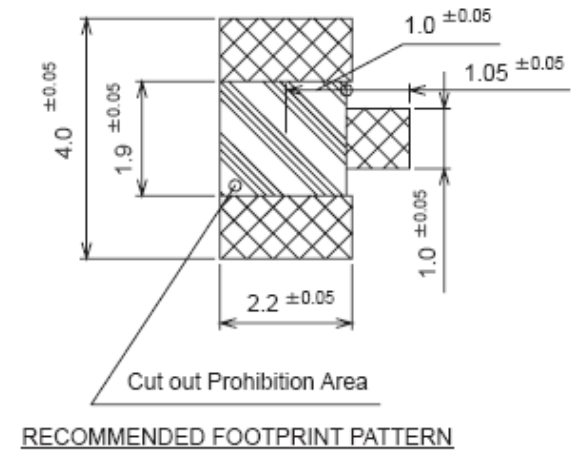
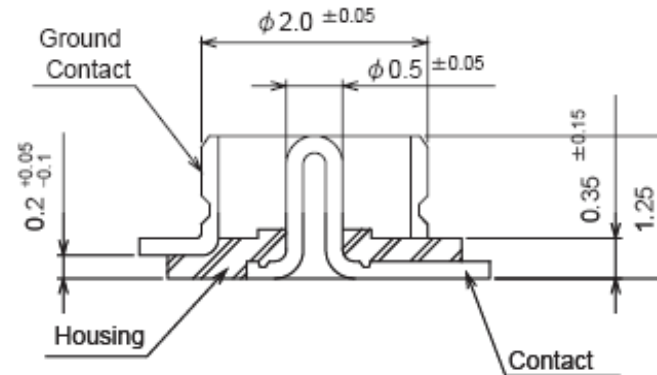
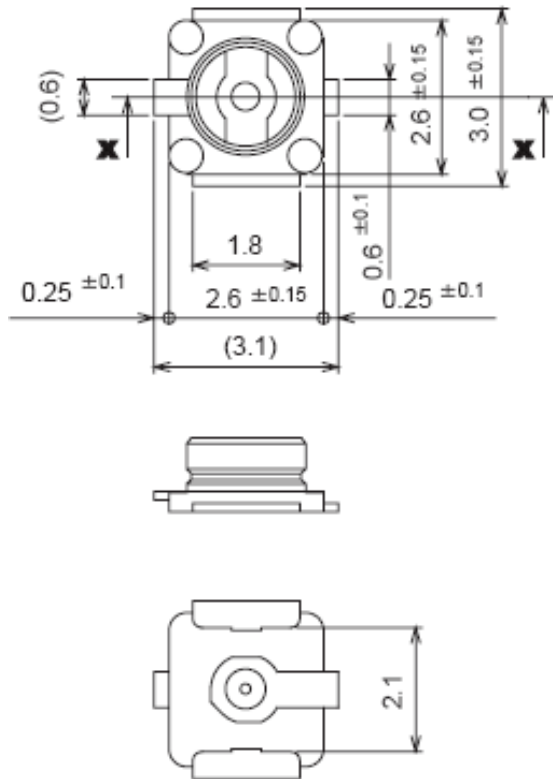


**RoHS** ✓



Notes:

1. Compatible with IPEX MHF, MHFII and Hirose U.FL
2. Housing: LCP, UL94V-0, white
3. Contact: Brass, gold plating
4. Ground Contact: phosphor bronze, gold plating

**taoglas limited**

IPEX MHF (U.FL comp) receptacle

DWG No	Part No	Unit	REV.
20279	RECE.20279.001E	mm	1