

SPEC SHEET

# F15V

## 1.5 to 5 GHz

### Frequency Doublers

## Specifications

RF Frequency	1.5 to 5 GHz
LO Frequency	3 to 10 GHz
LO Power	16 dBm min 19 dBm typ

## Transfer Characteristics

Conversion Loss	10 dB typ 12 dB max
LO to RF Isolation	20 dB min 25 dB typ

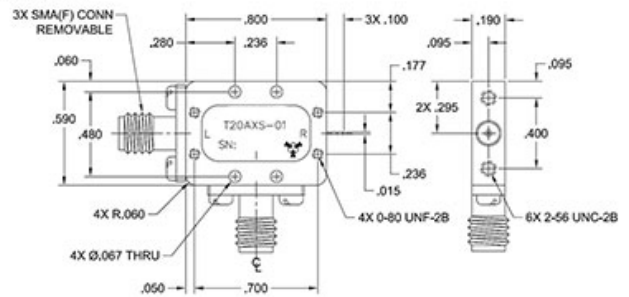
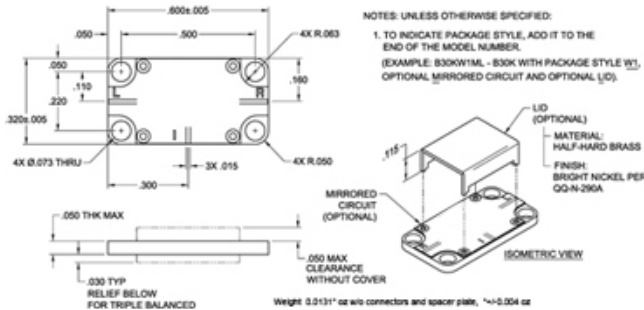


## Available Package Styles

Available Package Styles

W1,X,Y

X PACKAGE



## Environmental Ratings

Operating Temp -55 °C to 100 °C

## Notes



Microwave RF Components | Manteca, CAL | 1-209-825-3977 | [rf.mrcy.com](http://rf.mrcy.com)  
Specifications subject to change without notice

[Request a Quote](#) | [Ask an Engineer](#)  