

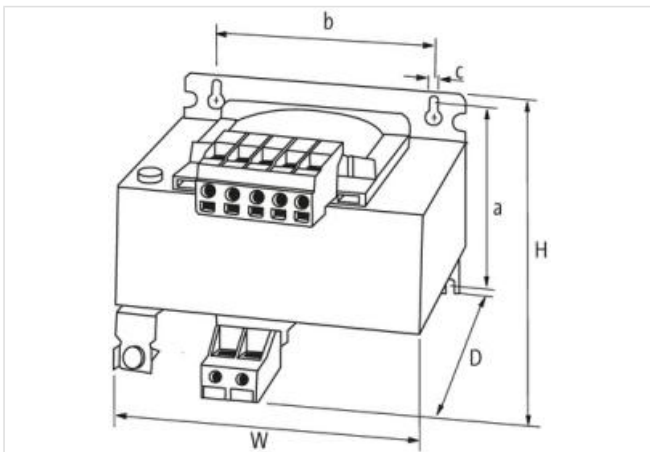
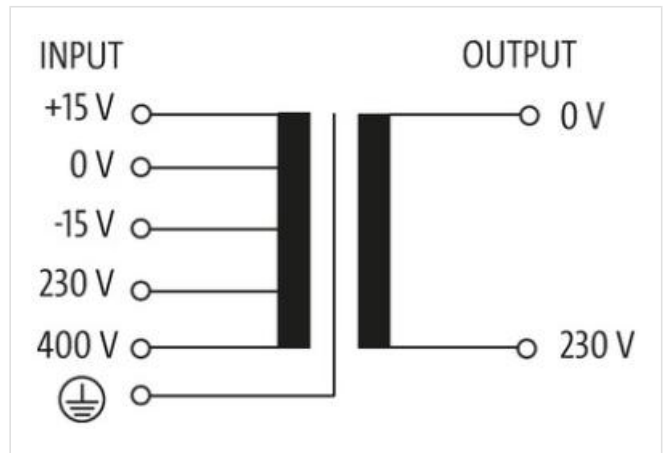
MTS 1-PHASE CONTROL AND ISOLATION TRANSFORMER

P: 250VA IN: 230/400VAC +/- 15VAC OUT: 230VAC

Single-phase - Control and Isolation Transformers
 250 VA
 Isolation class T 40/B
 Spring clamp terminals
 Other voltages on request.

[Link to Product](#)

Illustration



Product may differ from Image



Input

Input voltage	230/400 ±15 V AC
Inrush current	8.35 A (230 V AC); 4.82 A (400 V AC)
Short-circuit current	17 A (230 V AC); 9.8 A (400 V AC)
Input current	1.17 A (230 V AC); 0.67 A (400 V AC)
Frequency	50..60 Hz

Output	
Output voltage	230 V AC
Output rating	250 VA
General data	
Standards	EN 61558-1, EN 61558-2-4, EN 62041 category 0
Mounting method	Long-hole mounting or DIN-rail mountable TH35 (EN 60715)
Temperature range	-20...+40 °C (storage temperature -40...+80 °C)
Test isolation voltage	4 kV (prim./sec.)
Drill hole Ø	4.8x8.4 mm
Fixing centers a×b×c	86.5×84×4.8 mm
Dimensions H×W×D	102×96×108 mm