

# FASTON 187 TERMINAL REC 20-16 AWG BR

✓ ACTIVE

FASTON | FASTON 187

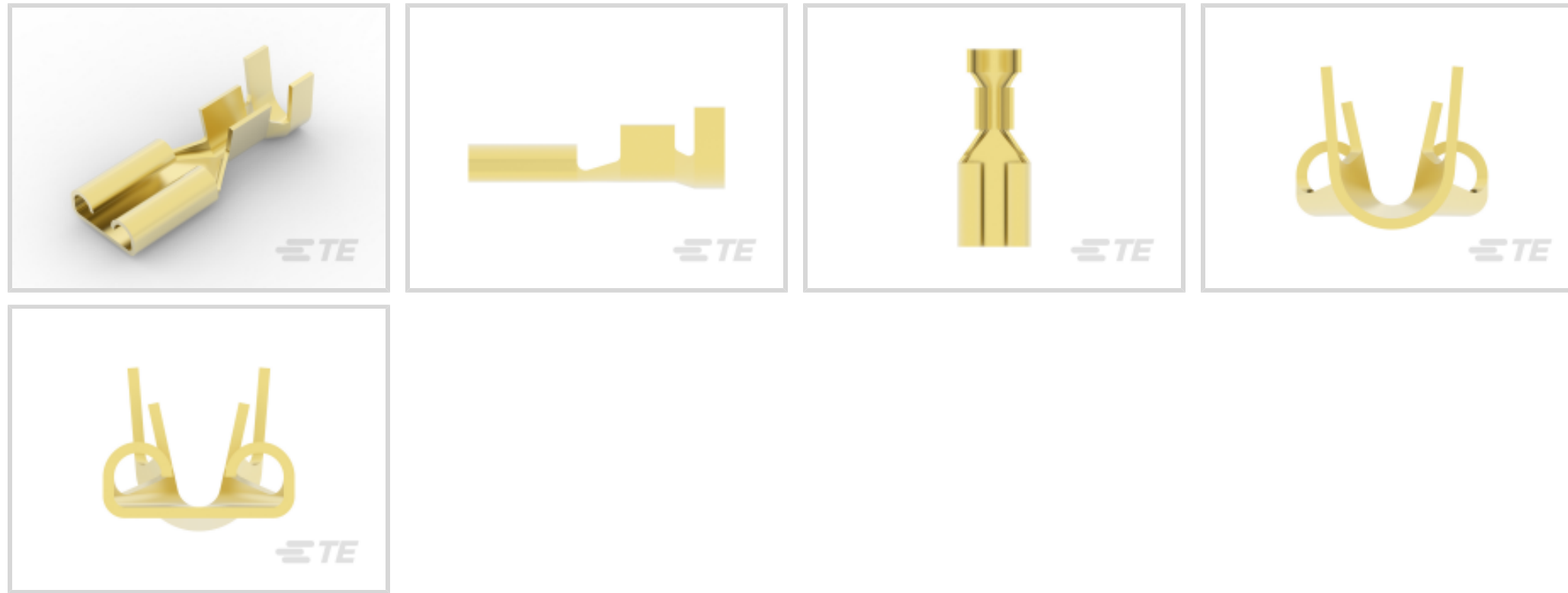
TE Part # 42452-1

TE Internal #: 42452-1

[View on TE.com >](#)



Terminals & Splices > Quick Disconnects



Terminal & Splice Type: **Receptacle**

Wire Size: .51 – 1.31 mm<sup>2</sup>

Mating Tab Width: 4.75 mm [ .187 in ]

Mating Tab Thickness: .51 mm [ .02 in ]

## Features

### Product Type Features

Wire Stop	No
Wire/Cable Type	Regular Wire
Terminates To	Wire & Cable
Insertion Force	Normal
Sealable	No
Insulated	No

### Configuration Features

Connection Capacity	Single
---------------------	--------

### Body Features

Fully Insulated	No
Plating Material	Unplated

### Contact Features

Terminal Type	Receptacle
Terminal & Splice Type	Receptacle
Terminal Orientation	Straight



Contact Base Material	Brass
-----------------------	-------

Crimp Type	F-Crimp
------------	---------

Barrel Type	Open
-------------	------

### Mechanical Attachment

Mating Retention Type	Dimple
-----------------------	--------

Wire Insulation Support	With
-------------------------	------

### Dimensions

Accepts Wire Insulation Diameter Range	2.29 – 3.3 mm [.09 – .13 in]
--	------------------------------

Overall Length	16.51 mm [.65 in]
----------------	-------------------

Receptacle Terminal Stock Thickness	.3 mm [.012 in]
-------------------------------------	-----------------

Wire Size	.51 – 1.31 mm <sup>2</sup>
-----------	----------------------------

Mating Tab Width	4.75 mm [.187 in]
------------------	-------------------

Mating Tab Thickness	.51 mm [.02 in]
----------------------	-----------------

### Usage Conditions

Operating Temperature Range	-40 – 110 °C [-40 – 230 °F]
-----------------------------	-----------------------------

### Industry Standards

UL Rating	Listed
-----------	--------

CSA Certified	Yes
---------------	-----

### Packaging Features

Packaging Quantity	20000
--------------------	-------

Packaging Method	Strip/Reel
------------------	------------

### Other

Comment	Swage outside/front edge of receptacle
---------	--

### Product Compliance

[For compliance documentation, visit the product page on TE.com>](#)

EU RoHS Directive 2011/65/EU	Compliant
------------------------------	-----------

EU ELV Directive 2000/53/EC	Compliant
-----------------------------	-----------

China RoHS 2 Directive MIIT Order No 32, 2016	No Restricted Materials Above Threshold
---	---

EU REACH Regulation (EC) No. 1907/2006	Current ECHA Candidate List: JAN 2019 (197) Candidate List Declared Against: JAN 2019 (197)
--	--

Halogen Content	Low Halogen - Br, Cl, F, I < 900 ppm per homogenous material. Also BFR/CFR/PVC Free
Solder Process Capability	Not applicable for solder process capability

Product Compliance Disclaimer

This information is provided based on reasonable inquiry of our suppliers and represents our current actual knowledge based on the information they provided. This information is subject to change. The part numbers that TE has identified as EU RoHS compliant have a maximum concentration of 0.1% by weight in homogenous materials for lead, hexavalent chromium, mercury, PBB, PBDE, DBP, BBP, DEHP, DIBP, and 0.01% for cadmium, or qualify for an exemption to these limits as defined in the Annexes of Directive 2011/65/EU (RoHS2). Finished electrical and electronic equipment products will be CE marked as required by Directive 2011/65/EU. Components may not be CE marked. Additionally, the part numbers that TE has identified as EU ELV compliant have a maximum concentration of 0.1% by weight in homogenous materials for lead, hexavalent chromium, and mercury, and 0.01% for cadmium, or qualify for an exemption to these limits as defined in the Annexes of Directive 2000/53/EC (ELV). Regarding the REACH Regulations, TE's information on SVHC in articles for this part number is still based on the European Chemical Agency (ECHA) 'Guidance on requirements for substances in articles' (Version: 2, April 2011), applying the 0.1% weight on weight concentration threshold at the finished product level. TE is aware of the European Court of Justice ruling of September 10th, 2015 also known as O5A (Once An Article Always An Article) stating that, in case of 'complex object', the threshold for a SVHC must be applied to both the product as a whole and simultaneously to each of the articles forming part of its composition. TE has evaluated this ruling based on the new ECHA "Guidance on requirements for substances in articles" (June 2017, version 4.0) and will be updating its statements accordingly.

## Compatible Parts



TE Part # 2150007-1  
OCEAN\_2.0\_APPLICATOR-E-090F140F



TE Part # 7-2150007-7  
OCEAN\_2.0\_SPARE\_PART\_KIT-090F140F



TE Part # 2150007-2  
OCEAN\_2.0\_APPLICATOR-E-090F140FA



TE Part # 2-2150007-1  
OCEAN\_2.0\_APPLICATOR-E-090F140F



TE Part # 91509-1  
CERTICRIMP 2,SAHT FASTON



TE Part # 2-2150007-2  
OCEAN\_2.0\_APPLICATOR-E-090F140FA

Also in the Series | **FASTON 187**



Crimp Terminal Housings  
(33)



Insulation Boots & Sleeves  
(7)



PCB Terminals(44)

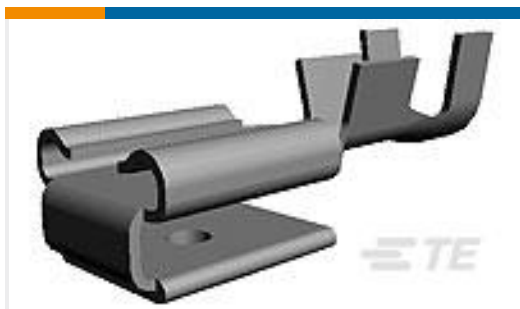


Quick Disconnects(225)



Splices(1)

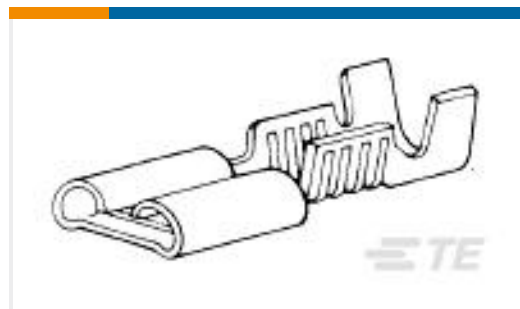
### Customers Also Bought



TE Part #62223-1  
FASTON .250 PIGGY-  
BACK REC 18-14AWG BR



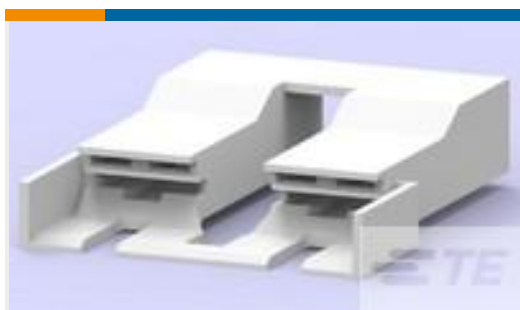
TE Part #4-1123722-5  
3.96 EP PLUG HSG 5P(RED)



TE Part #63470-1  
FASTON 187  
RECEPTACLE 18-16 AWG  
BR



TE Part #62811-2  
FASTON .250 FLAG REC  
18-14 AWG TPBR



TE Part #1-521253-2  
FASTON PL 250  
HOUSING REC RED  
NYLON 66/6



TE Part #1-521253-7  
FASTON PL 250 HSG REC  
BLUE NYLON 66/6



TE Part #794537-1  
09P UMNL PLUG HSG  
150C BLK



TE Part #794538-1  
09P UMNL CAP HSG 150C  
BLK



TE Part #521163-2  
POWER BLADE HSG 12P  
NYLON BLACK



TE Part #770815-1  
.093 COMM P&S SOCKET

### Documents



### Product Drawings

[FASTON 187 TERMINAL REC 20-16 AWG BR](#)

English

---

### CAD Files

[3D PDF](#)

3D

Customer View Model

[ENG\\_CVM\\_CVM\\_42452-1\\_CU.2d\\_dxf.zip](#)

English

Customer View Model

[ENG\\_CVM\\_CVM\\_42452-1\\_CU.3d\\_igs.zip](#)

English

Customer View Model

[ENG\\_CVM\\_CVM\\_42452-1\\_CU.3d\\_stp.zip](#)

English

---

### Datasheets & Catalog Pages

[82004 FASTON Terminals \(Insulated and Uninsulated\) Catalog - FASTON Receptacles Section](#)

English

[FASTIN\\_FASTON\\_Product\\_Line](#)

English

---

### Product Specifications

[Application Specification](#)

English

[Wire Preparation And Crimp Inspection Guide](#)

English

[Application Specification](#)

English

---

### Product Environmental Compliance

[TE Material Declaration](#)

English

---

### Agency Approvals

[Agency Approval Document](#)

English