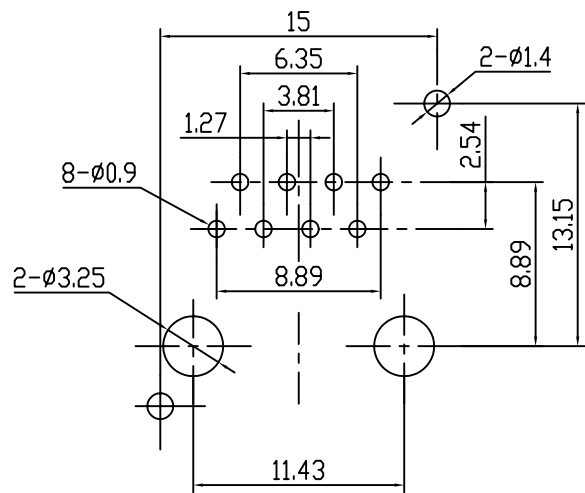
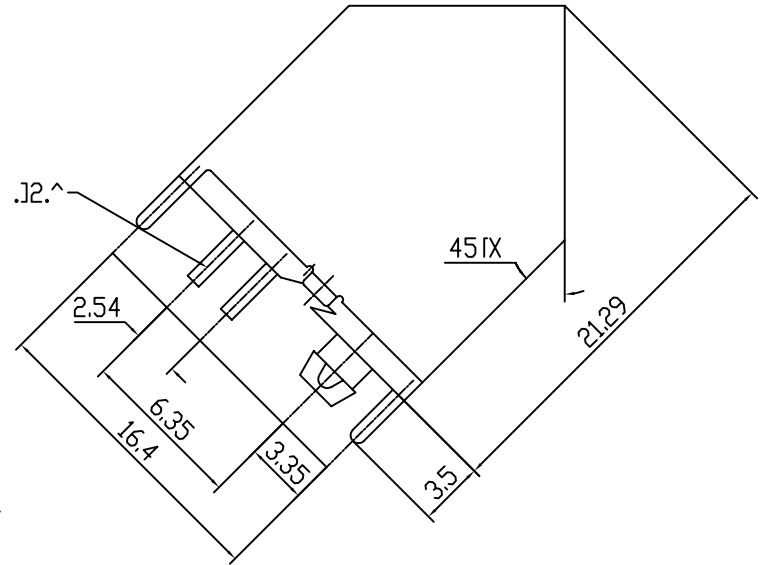
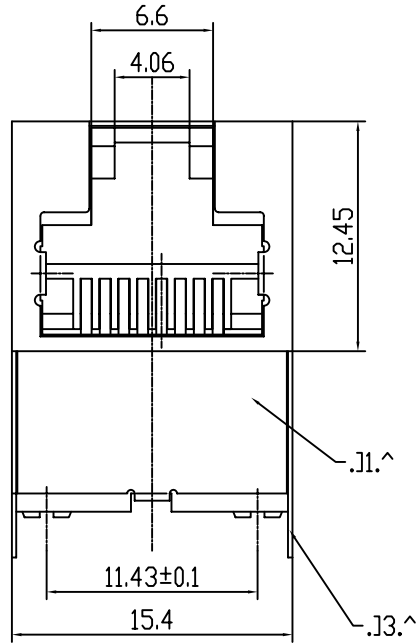


Specification

1. Insulation Resistance:  
1000 Megohms min.
2. Withstand Voltage:  
1000V, AC/ minute
3. Durability:  
600 mating circles min.
4. Tolerances unless otherwise specified:  
0°10:  $\phi$  0.1; 10°20:  $\phi$  0.15;  
20°30:  $\phi$  0.2
5. Selective Gold-plating:  
(3;6;15;30;50) micro inch



煜倫有限公司

PART NO. MJAF21-KX06-0808		CHECKED BY CY		TOLERANCES ARE .X ± 0.25 .XX ± .XXX ± AWG		DESCRIP TION: 8P8C/PLAT PIN/45°			
DWG NO. MJAF21-KX06-0808		DRAWING BY				AREA	REVISIONS	HK	DATE
FILE NO.	UNIT / mm	SCALE 1:1	PROJECTION						