

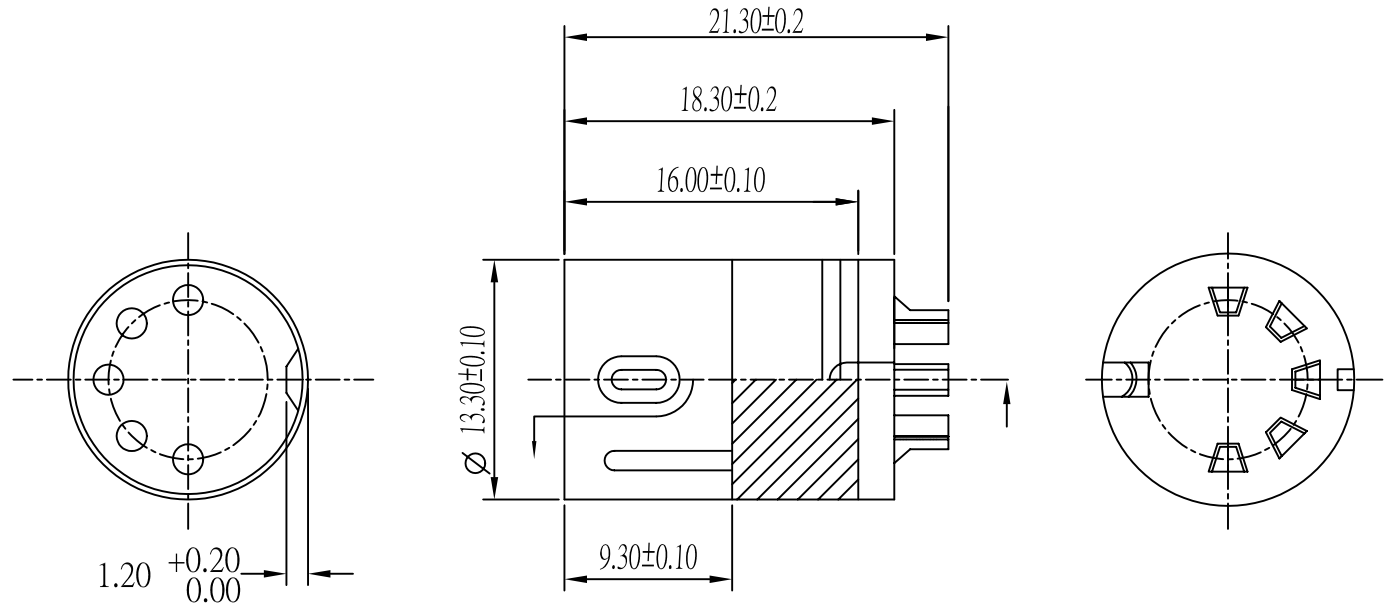
]Note:

1.Material:

- 1.1 Insulator: High temperature thermoplastic with g.f,UL94v-0
- 1.2 Contact: Copper alloy,t=0.20mm
- 1.3 Shell: Spcc,t=0.30mm

2.Specification:

- 2.1 Current rating: 1 A Max.
- 2.2 Dielectric withstanding voltage: 750 V(ac) for 1 min.
- 2.3 Contact resistance: 30 mΩ Max.
- 2.4 Insulation resistance: 1000 MΩ Min.
- 2.5 Total mating force: 5.5 Kgf Max.
- 2.6 Total unmating force: 1.0 Kgf Min.
- 2.7 Temperature range: -55°C~85°C



NO.OF CONTACT	3(180°)	4(210°)	5(180°)	6(240°)	7(270°)	8(270°)
PART NO.	DM-P-03	DM-P-04	DM-P-05	DM-P-06	DM-P-07	DM-P-08
POSITION						

MORETHANALL
CONNECTORS
ASSEMBLIES

煜倫有限公司

PART NO. DM-P-xx

DWG NO. DM-P-xx

FILE NO.

UNIT / mm

SCALE 1:1

APPROVED BY CY

DRAWING BY

PROJECTION

TOLERANCES ARE

.X ±0.3
.XX ±0.2
.XXX ±0.1
AWG

DESCRIP TION:

DIN SOLDER TYPE(M)

AREA

REVISIONS

HK

DATE