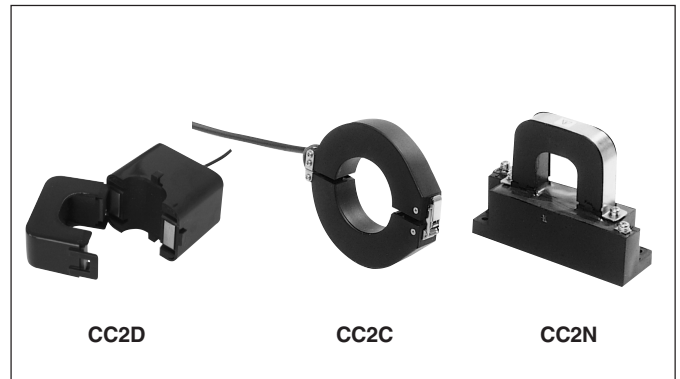


## Current transformers, CC2

### ■ Description

Designed for even easier handling. Line-up consists of two types; models exclusively used for FUJI power monitoring unit (F-MPC 04 series), and models for general-purpose instrumentation.

- Improved design enables easier mounting.
- Large K → L display allows easier identification of primary conductor direction.
- Hook attached makes it easier to secure the primary conductor with a cable-tie.
- Clamping diode built in CT will not burn out even with the secondary circuit open (except the CC2D81).



### ■ Specifications

Description	Compact split 		Square split 		Toroidal 	
	CC2D81-0057	CC2D81-0506	CC2D65-2008	CC2D54-4009	CC2B65-2008	CC2B54-4009
Type	CC2D81-0057		CC2D65-2008	CC2D54-4009	CC2B65-2008	CC2B54-4009
Used with	F-MPC-04 (UM01, UM03 types) F-MPC04P (UM02 type)		F-MPC-04 (UM03 type) F-MPC04P (UM02 type)			
Rated primary current	5A	50A	200A	400A	200A	400A
Linear output limit	Based on the instrumentation range					
Rated secondary current	7.34mA	73.4mA	66.67mA	133.33mA	66.67mA	133.33mA
Sensor hole diameter	ø10		ø24	ø36	ø24	ø36
Rated frequency	50-60Hz					
Overcurrent resistance	10 In continuous	10 In/1.0s	40 In/1.0s		40 In/1.0s	
Ratio error	±1%/In ±1.5%/0.2In					
Phase difference	150' ±90' /In, 180' ±120' /0.2In		±60' /In, ±60' /0.2In		±60' /In, ±90' /0.2In	
Rated burden	0.2693mVA (load res. 5Ω)	26.93mVA (load res. 5Ω)	44.4mVA (load res. 10Ω)	0.18VA (load res. 5Ω)	44.4mVA (load res. 10Ω)	177.8VA (load res. 10Ω)
Insulation resistance	100MΩ or more at 500V DC megger, between sensor core and output					
Dielectric strength	2000V AC/1min, between sensor core and output				2500V AC/1min, between sensor core and output	
Output protection	—		±3Vp, built-in clamping diode		—	
Operating condition	-20 to 50°C 80%RH max. No condensation					
Split portion securing method	Clamp		Clamp		—	
Mounting	Hanger		Hanger			
Connection	Heater-resistant IV cable AWG22 x 1000mm supplied		Heater-resistant IV cable AWG18 x 1000mm supplied			M3 screw terminal
Mass	45g		200g	300g	60g	180g

### ■ Ordering information

Specify the following:




1. Type number

# Power Monitoring Equipment

## Current transformers

### CC2

#### ■ Specifications

Description	Square split 			Toroidal split 		U shaped 			
Type	CC2D74-1001	CC2D74-2001	CC2D74-4001	CC2C76-8001	CC2C76-12X1	CC2N72-1001	CC2N72-2001	CC2N73-4001	CC2N73-5005
Used with	F-MPC-04 (UM01 type)								
Rated primary current	100A	200A	400A	800A	1200A	100A	200A	400A	500A
Linear output limit	Based on the instrumentation range								
Rated secondary current	1A					1A			5A
Sensor hole diameter	ø36			ø60		ø20		ø30	
Rated frequency	50/60Hz								
Overcurrent resistance	10 In continuous 40 In/1.0s					1.2 In continuous 40 In, 1s			
Ratio error	+1% In +1.5%/0.2 In								
Phase difference	90' ±90' /In 120' ±120' /0.2 In	60' ±60' /In 90' ±90' /0.2 In	±80' /In ±100' /0.2 In	—		—			
Rated burden	0.5VA (load res. 5Ω)					0.5VA (load res. 5Ω)			2.5VA
Insulation resistance	100MΩ min. (500V DC megger) between sensor core and output								
Dielectric strength	2000V AC/1min, between sensor core and output								
Output protection	±1.4Vp, built-in clamping diode					±1.4Vp, built-in clamping diode			±7.5Vp, built-in clamping diode
Operating condition	-20 to 50°C 80%RH No condensation					-20 to 50°C 80%RH No condensation			
Split portion securing method	Clamp					Screw			
Mounting	Hanger					Screw			
Connection	Heat-resistant IV cable AWG18 x 1000mm supplied			WC-0.75mm <sup>2</sup> 2C-1000mm supplied		M4 screw terminal			
Mass	300g			500g		300g			550g
CT-BOX	UM01X-1			UM0X-1		UM01X-1			UM01X-5



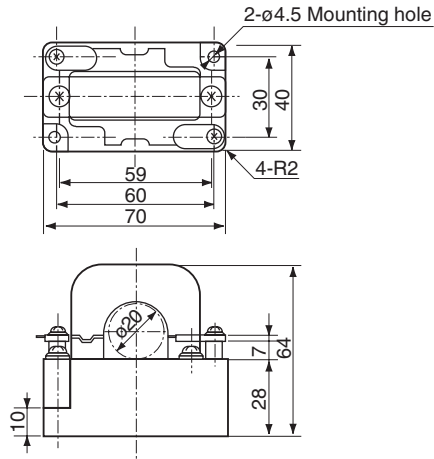
# Power Monitoring Equipment

## Current transformers

### CC2

#### ■ Dimensions, mm

CC2N72



CC2N73

