

[»Back to Board Level Products](#)

# 6045BG

TO-220, TO-220-single gauge (0.020")



**REQUEST A QUOTE**

Low cost slip on heat sink

**Height:**19.05  
**Mount Orientation:**Vertical  
**Finish:**Black Anodize  
**RoHS:**compliant

**Thermal Resistance:**26.00

## Need assistance?

Call us: 1-855-32-AAVID  
Email: [estore@aavid.com](mailto:estore@aavid.com)

[» Help Page](#)

## Check Distributor Stock

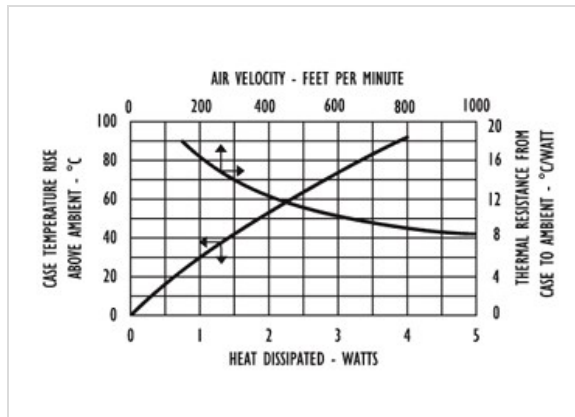
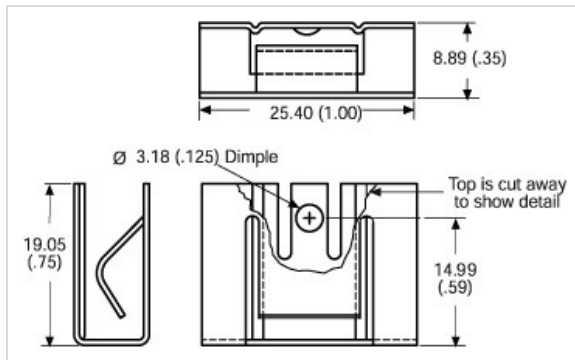
Enter a part number for pricing and availability.

- [> Request a Sample](#)
- [> Request a Quote](#)
- [> Ask an Engineer](#)

## The Fine Print

- [Product Return Policy](#)
- [Terms & Conditions](#)
- [Privacy Policy](#)



## Customer Assistance

- [■ Contact Us](#)
- [■ Find a Distributor](#)
- [■ Find a Sales Rep](#)
- [■ Request a Quote](#)
- [■ Get Design Assistance](#)

## Popular Products

- [■ Fans Heat Sinks](#)
- [■ Extrusions](#)
- [■ Board Level](#)
- [■ Liquid Cooling](#)
- [■ Heat Pipe Technology](#)
- [■ Heat Sink Accessories](#)

## Our Company

- [■ News and Events](#)
- [■ Management Team](#)
- [■ Worldwide Locations](#)
- [■ Disclaimer](#)
- [■ Customer Survey](#)
- [■ Privacy Policy](#)

## Connect with Aavid

Like / Follow / Connect



.AAVID **Europe:** 39.051.764002 **Asia:** 86.21.6115.2000 x 8122