



- Compliant with IEEE802.3 standard including 350uH OCL with 8mA DC bias
- Models with integrated transmit and receive channels
In low profile SMT package
- Designed to withstand IR-Reflow with peak temperature per IPC/JEDEC J-STD-020C
- Operating temperature 0°C to +70°C
- RoHS compliant versions are available

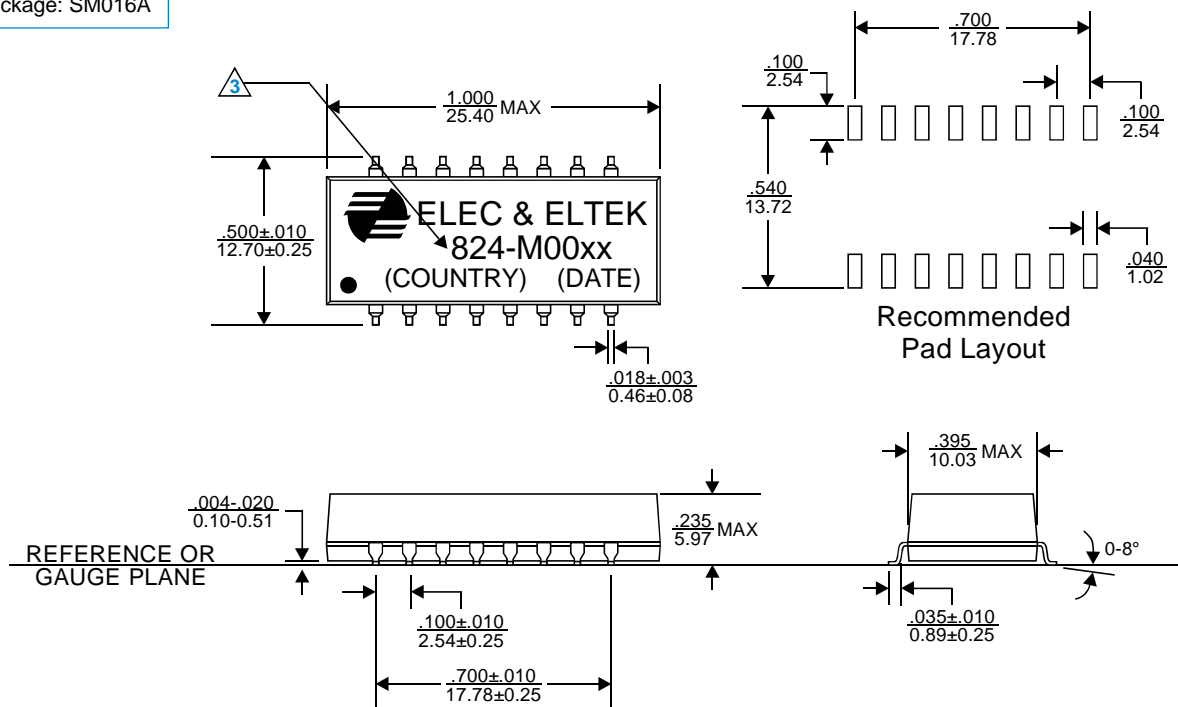


ELECTRICAL SPECIFICATION @ 25°C

Part Number	RoHS Part Number	Turns Ratio		Insertion Loss (dB Typ)			Return Loss (dB Typ)		CMRR (dB Typ)		Crosstalk (dB Typ)		Hipot (Vrms)
		Tx	Rx	.1-100MHz	.1-60MHz	60-100MHz	.1-60MHz	60-100MHz	.1-60MHz	60-100MHz	.1-60MHz	60-100MHz	
824-M0074	824-M0074R	2CT:1	1CT:1CT	1.0	16.0	12.0	35.0	32.0	40.0	35.0	1500		
824-M0081	824-M0081R	2CT:1CT	1:1:1CT	1.0	16.0	12.0	35.0	32.0	40.0	35.0	1500		
824-M0084	824-M0084R	2CT:1	1:1:1CT	1.0	16.0	12.0	35.0	32.0	40.0	35.0	1500		

MECHANICAL DIMENSIONS

Package: SM016A



Notes:

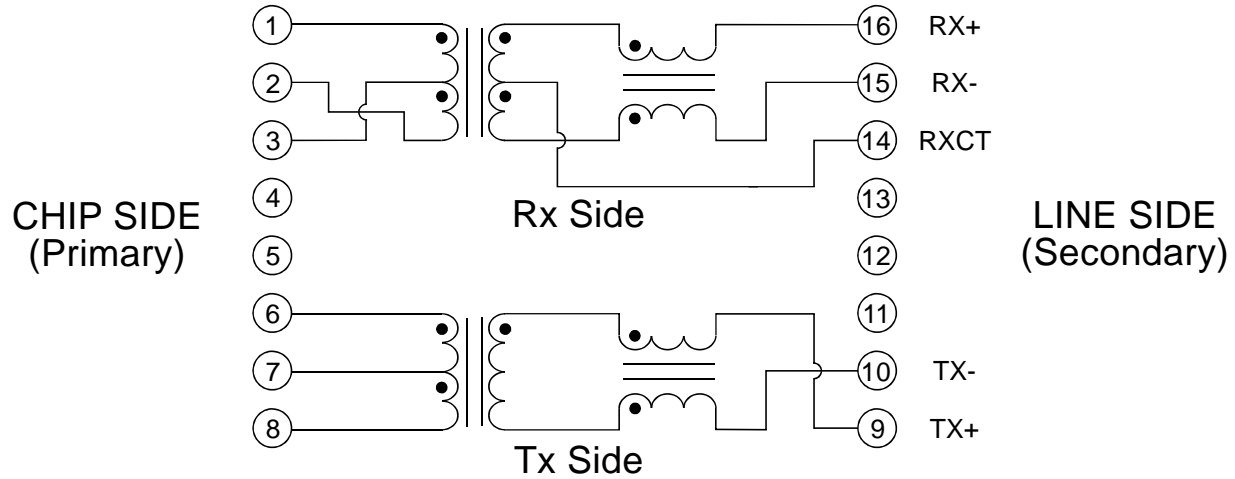
1. All dimensions are specified in $\frac{\text{inches}}{\text{mm}}$ with higher precedence in inches.
2. Unless otherwise specified, all tolerances are $\pm \frac{.010}{0.25}$.
3. For available RoHS part number, the part will be marked with "824-M00xxR", instead of "824-M00xx".

Weight (in gram)	:	2.7 typ.
Tape & Reel	:	350 / reel



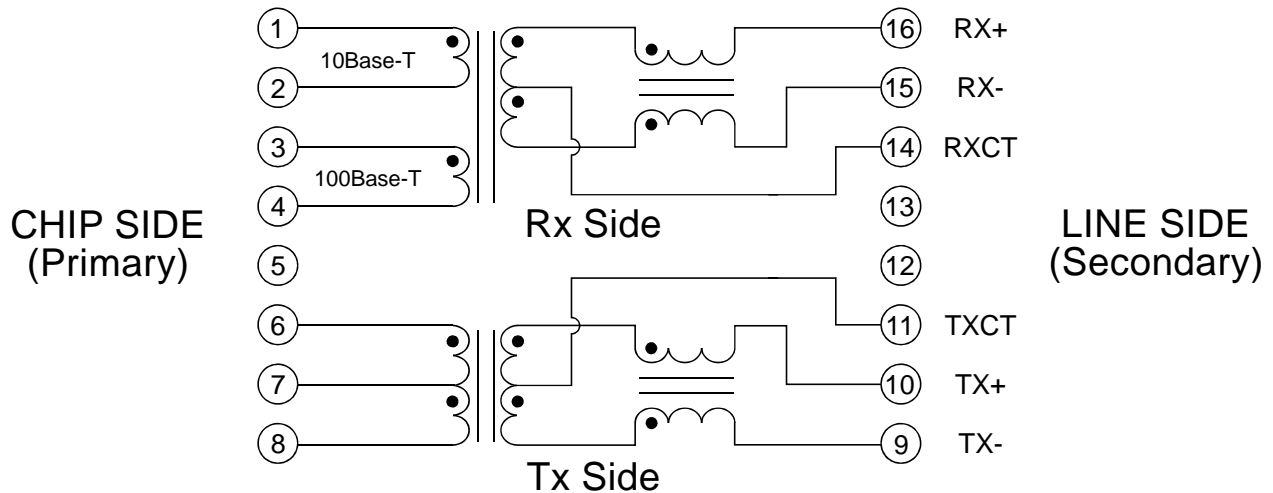
SCHEMATICS

824-M0074



SCHEMATICS

824-M0081



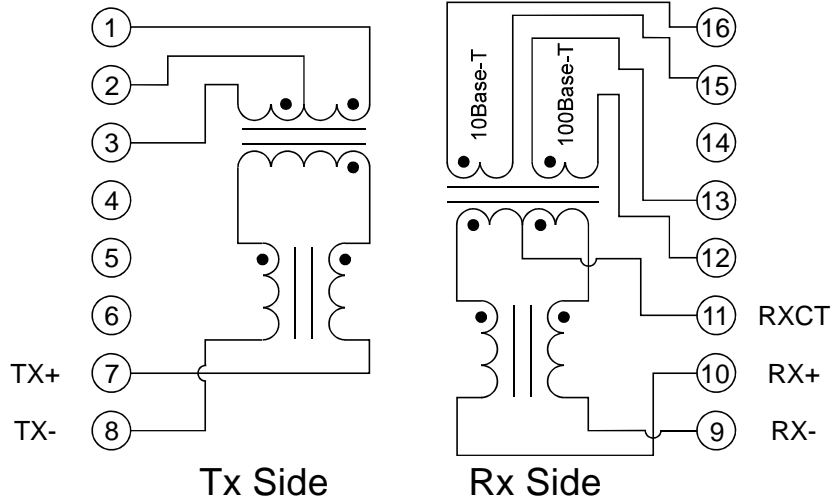


SCHEMATICS

824-M0084

**CHIP SIDE
(Primary)**

**LINE SIDE
(Secondary)**



FOR MORE INFORMATION, PLEASE CONTACT

HEADQUARTER
2/F Block A, Merit Industrial Centre,
94 Tokwawan Road, Kowloon,
Hong Kong
Tel: (852) 2765 3888
Fax: (852) 2954 3304
Email: eempl@eleceltek.com
Website: <http://www.eleceltek.com>

Information herein is for reference only and subject to change without notice. It does not constitute any representation, warranty or commitment of the company in respect of the products in any aspect. All logos, brands and product names mentioned herein are trademarks or registered trademarks of their respective owners. The company does not assume any liability arising out of the application or use of any product or circuit described herein. Copyrights 2006, E & E Magnetic Products Limited.