

### CXO-205

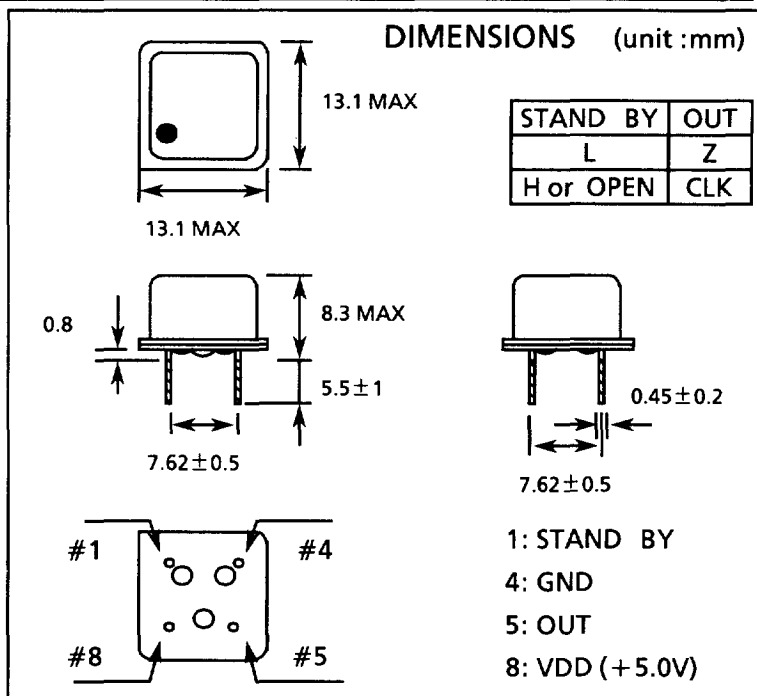
For Computer Clock ( HC-MOS Compatible Output)

#### [Features]

- "Small Size" as small as 1.4cc  
(13.1×13.1×8.3mm)
- All-metal welded package
- Using welded crystal
- Hybrid-IC circuit construction
- HC-MOS Compatible Output

#### [Typical Application]

- Computer Clock
- For 80386



#### [Specifications]

MODEL	CXO-205
Frequency range	32, 40, 48, 50, 64, 66, 66.6666 MHz
Frequency stability	$\pm 100 \times 10^{-6} / -10^{\circ}\text{C to } +70^{\circ}\text{C}$ (initial tolerance at 25°C included)
Operable temperature range	-10°C to +70°C
Storage temperature	-20°C to +85°C
Frequency aging	$\pm 5 \times 10^{-6}$ max / year
Power Supply Voltage	+5.0 V $\pm$ 0.5 V
Power Supply Current	80mA max
Output Load	150pF (32 to 40MHz) 50pF (41 to 67MHz)
Output Level	VOH: +4.5 V min / VOL: +0.5 V max
Output Symmetry	40% to 60% (at +2.5 V DC)
Rise Time / Fall Time	8 nS max / 8 nS max
Vibration	10Hz to 55Hz Amplitude 1mm Cycle 1 minute. 3 directions. 1 hours each
Shock	1000 G
Humidity	60°C 95% / RH 1000 hours
Weight	3 gr

- \* If specifications does not meet your requirements.  
We will design a unit to your requirements.
- \* All specifications and details published are subject to change without notice.

**KINSEKI, LIMITED**