



Features

- DC to 3 GHz
- Terminals for placement on P.C.B.
- Low VSWR
- Aluminum Nitride ceramic

Applications

- RF amplifiers
- Attenuators
- Antenna feeds

CHF3725CNP Series 40 W SMT Power RF Chip Termination

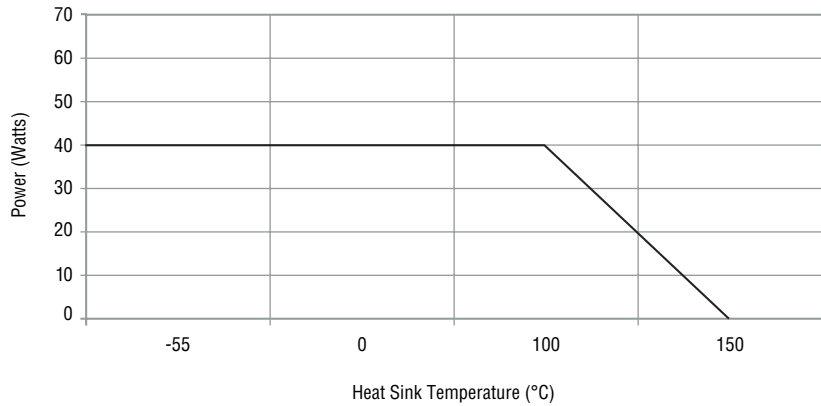
General Specifications

Substrate.....ALN
 Resistive Film.....Thick Film
 Resistance.....50 Ω
 Tolerance.....±5 %
 Packaging
 Tape & Reel.....2000 pcs./13 " reel
 Bulk100 pcs./bag

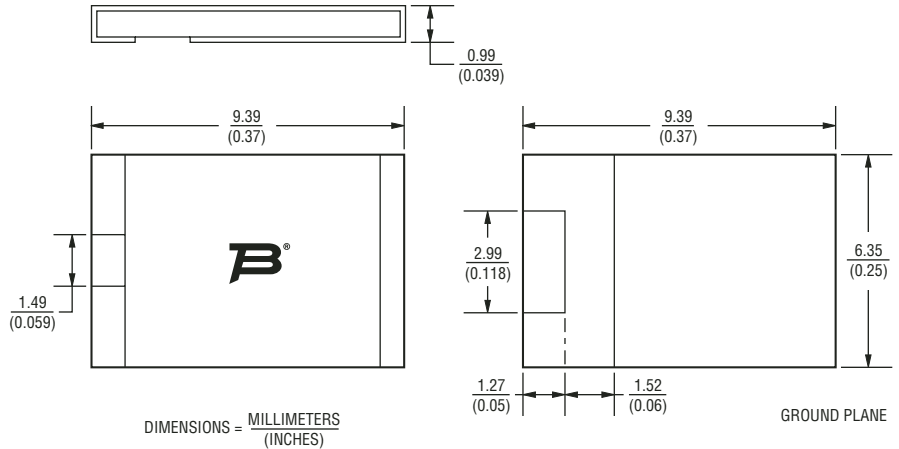
Absolute Ratings

Power.....40 W
 Frequency3 GHz
 VSWR.....1.25 Maximum

Characteristic Curve



Product Dimensions



How To Order

CHF 3725 C N P 500 L W E

Model _____

Size _____

Version _____

Substrate _____

Mount _____
 P = Printed Circuit Board

Value _____
 500 = 50 Ohm

Function _____
 L = Termination

Finish _____
 W = Sn
 X = Ni Au

Packaging _____
 E = Tape & Reel (2,000 pcs./13 " reel)
 _ = Bulk (100 pcs./bag)



Reliable Electronic Solutions

Asia-Pacific:
 Tel: +886-2 2562-4117
 Fax: +886-2 2562-4116

Europe:
 Tel: +41-41 768 5555
 Fax: +41-41 768 5510

The Americas:
 Tel: +1-951 781-5500
 Fax: +1-951 781-5700

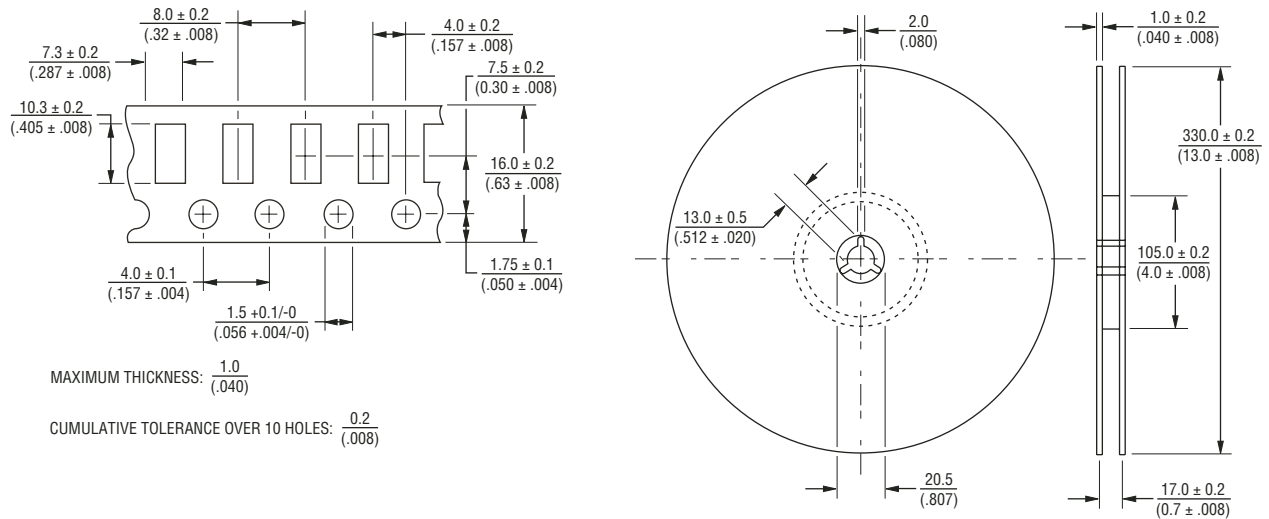
www.bourns.com

*RoHS Directive 2002/95/EC Jan 27 2003, including Annex
 Specifications are subject to change without notice.
 Customers should verify actual device performance in their specific applications.

CHF3725CNP Series 40 W SMT Power RF Chip Termination



Packaging Dimensions



DIMENSIONS: $\frac{\text{MM}}{\text{(INCHES)}}$