

BIAS TEE

HB Series



■ Features

1. Cuts DC and Supplies Voltage

Without affecting the high frequency characteristics, these bias tee can supply a DC bias (of 50 V, 2.5 A max.) to the item being measured.

2. Coupling Portion Uses SMA Connectors

SMA connectors (Hirose Electric HRM Series, 50Ω impedance Z) are used in the coupling portion.

3. Ensure a Wide Bandwidth and High Performance

The specification frequency shows a wide bandwidth of 500 MHz to 1800 MHz and there is a low insertion loss of 0.3 dB or less.

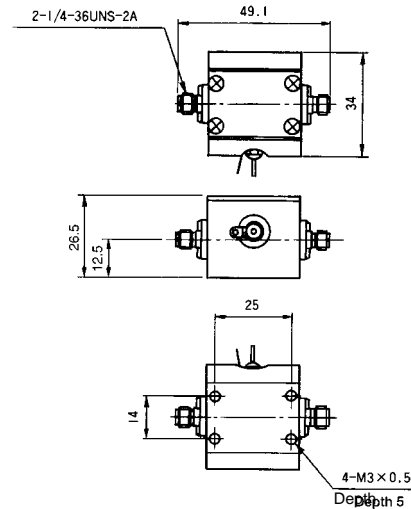
■ Product Specifications

Ratings	Frequency range Characteristic impedance Maximum Input Power	500 to 1800 MHz 50 ohms 1 W	Operating temperature range Operating relative humidity	-10°C to +65°C 95% Max.
---------	--	-----------------------------------	--	----------------------------

■ Materials

Part	Material	Finish
Body	Aluminum	Conductive alumite
Connector Body	Stainless steel	Passivated
Female contact	Beryllium copper	Gold plating

■ External Dimensions



■ Ordering Information

HB - HRM - JJ

① ② ③

① Series Name: HB
② Type of Connector SMA (Hirose Electric HRM Series)
③ Connector Coupling Portion Jack - Jack

■ Specifications

Part Number	Function	Connectors	Schematic	Frequency Range (MHz)	V.S.W.R. (Max)	Insertion Loss (dB Max)	Power (W)	Weight (g)
HB-HRM-JJ	BIAS-TEE	HRM Jack / HRM Jack		800~1,200 500~1,800	1.1 1.2	0.3	1	60

■ Typical Data

