

100G3121-0.25-0/9 ✓ ACTIVE

Raychem

TE Internal #: C271373001

Twisted Pair Cable, Spec 100G, 750/1300VAC Voltage Rating, 24AWG Wire Size, .25mm² Wire Size, Operating Temperature Range -65 – 125 °C

[View on TE.com >](#)



Wire & Cable > Twisted Pair Cable



Cable Type: **Spec 100G**

Voltage Rating: **750/1300 VAC**

Insulation Material: **Halogen-Free Polymer**

Conductor Material: **Tin-Plated Copper**

Wire Size: **24 AWG**

Features

Product Type Features

Cable Type	Spec 100G
------------	-----------

Electrical Characteristics

Voltage Rating	750/1300 VAC
----------------	--------------

Body Features

Insulation Material	Halogen-Free Polymer
Conductor Material	Tin-Plated Copper

Dimensions

Wire Size	.25 mm ²
-----------	---------------------

Usage Conditions

Operating Temperature Range	-65 – 125 °C[-85 – 257 °F]
-----------------------------	----------------------------

Product Compliance

[For compliance documentation, visit the product page on TE.com>](#)

EU RoHS Directive 2011/65/EU	Compliant
EU ELV Directive 2000/53/EC	Compliant
China RoHS 2 Directive MIIT Order No 32, 2016	No Restricted Materials Above Threshold
EU REACH Regulation (EC) No. 1907/2006	



Current ECHA Candidate List: JUN 2020 (209)
 Candidate List Declared Against: JUN 2020 (209)
 Does not contain REACH SVHC

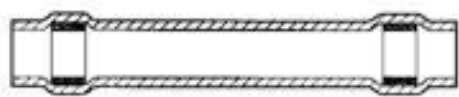
Halogen Content: Out of Scope - excluded from Halogen requirements

Solder Process Capability: Not applicable for solder process capability

Product Compliance Disclaimer

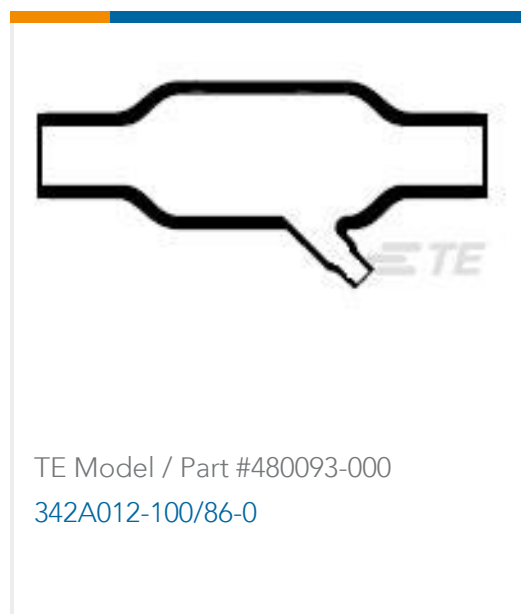
This information is provided based on reasonable inquiry of our suppliers and represents our current actual knowledge based on the information they provided. This information is subject to change. The part numbers that TE has identified as EU RoHS compliant have a maximum concentration of 0.1% by weight in homogenous materials for lead, hexavalent chromium, mercury, PBB, PBDE, DBP, BBP, DEHP, DIBP, and 0.01% for cadmium, or qualify for an exemption to these limits as defined in the Annexes of Directive 2011/65/EU (RoHS2). Finished electrical and electronic equipment products will be CE marked as required by Directive 2011/65/EU. Components may not be CE marked. Additionally, the part numbers that TE has identified as EU ELV compliant have a maximum concentration of 0.1% by weight in homogenous materials for lead, hexavalent chromium, and mercury, and 0.01% for cadmium, or qualify for an exemption to these limits as defined in the Annexes of Directive 2000/53/EC (ELV). Regarding the REACH Regulation, the information TE provides on SVHC in articles for this part number is based on the latest European Chemicals Agency (ECHA) 'Guidance on requirements for substances in articles' posted at this URL: <https://echa.europa.eu/guidance-documents/guidance-on-reach>

Compatible Parts



TE Model / Part # 650074-000
D-436-36

Customers Also Bought



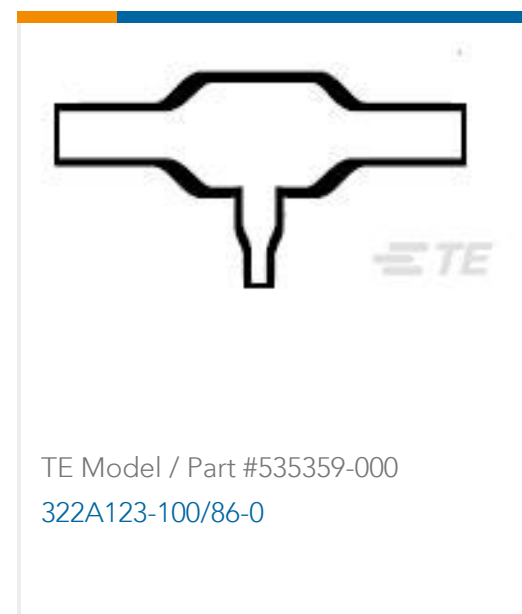
TE Model / Part #480093-000
342A012-100/86-0



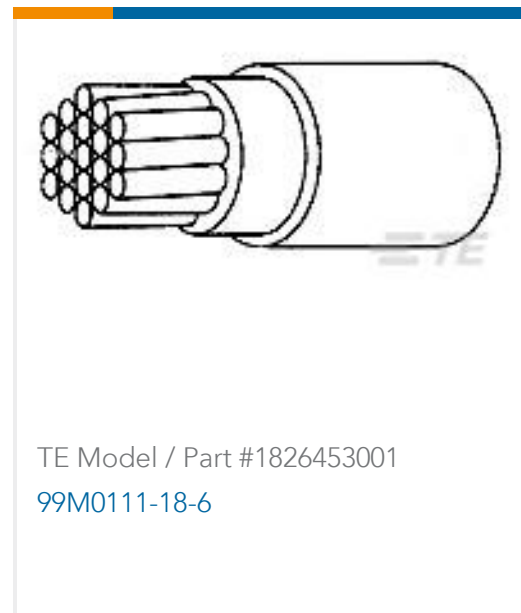
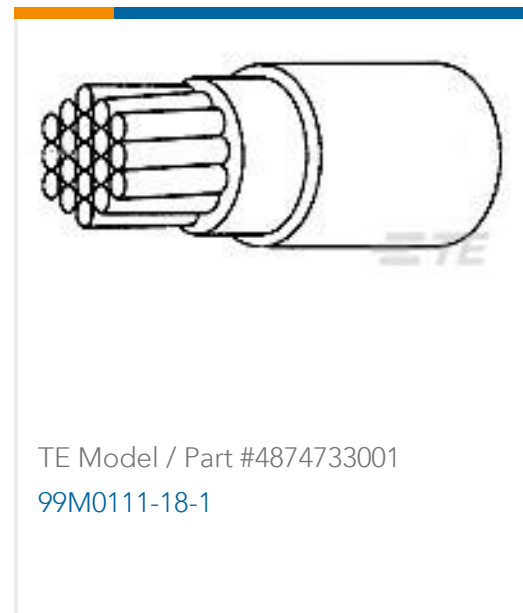
TE Model / Part #2836283002
44A0111-24-45



TE Model / Part #E061733001
100G3121-0.40-0/9



TE Model / Part #535359-000
322A123-100/86-0



Documents

Product Drawings

[100G3121-0.25-0/9](#)

English

Datasheets & Catalog Pages

[1654025_Sec9_Zerohal100G](#)

English

[Raychem Wire and Cable Quick Reference Guide](#)

English