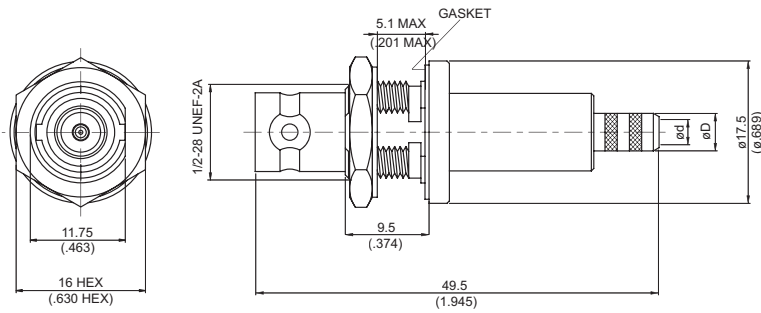
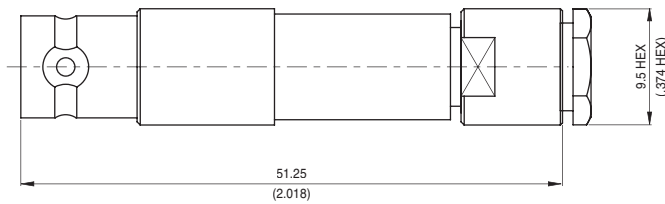


► **SHV JACK CRIMP FOR BULKHEAD**



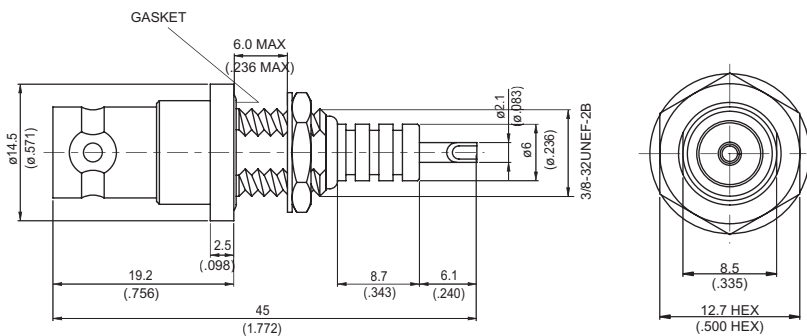
Part Number	Measurements	M.H.	Weight	Material	Suitable Cables	Remarks
SHV8105-0058	ød=3.1 (.122) øD=4.4 (.173)	5	25.63g	A2	RG58, JBY195	With Gasket
SHV8105-0059	ød=3.9 (.154) øD=5.6 (.220)	5	25.94g	A2	RG59	With Gasket
SHV8105-0142	ød=3.1 (.122) øD=4.4 (.173)	5		A2	RG55, RG142, RG142-E, RG400	With Gasket
SHV8105-0223	ød=3.1 (.122) øD=4.4 (.173)	5		A2	RG223	With Gasket

► **SHV JACK CLAMP**



Part Number	Weight	Material	Suitable Cables
SHV8200-0058	22.37g	A2	RG55, RG58, RG142, RG142-E, RG400, JBY195
SHV8200-0059		A2	RG59

► **SHV JACK FOR BULKHEAD**



Part Number	M.H.	Weight	Material	Remarks
SHV8500-0000	4	11.55g	A2	With Gasket

SHV