



Raychem

TE Internal #: 405677-000

Primary Wire, Spec 55, 600VAC Primary Wire Voltage Rating,
Operating Temperature Range -65 – 200 °C

[View on TE.com >](#)

Wire & Cable > Primary Wire



Primary Wire Cable Type: **Spec 55**

Primary Wire Insulation Material: **Radiation-Crosslinked, Modified ETFE**

Primary Wire Voltage Rating: **600 VAC**

Primary Wire Conductor Material: **Silver-Coated High Strength Copper Alloy**

Operating Temperature Range: **-65 – 200 °C**

Features

Product Type Features

Primary Wire Cable Type	Spec 55
-------------------------	---------

Electrical Characteristics

Primary Wire Voltage Rating	600 VAC
-----------------------------	---------

Body Features

Primary Wire Insulation Material	Radiation-Crosslinked, Modified ETFE
Primary Wire Conductor Material	Silver-Coated High Strength Copper Alloy

Usage Conditions

Operating Temperature Range	-65 – 200 °C
-----------------------------	--------------

Product Compliance

[For compliance documentation, visit the product page on TE.com>](#)

EU RoHS Directive 2011/65/EU	Compliant
EU ELV Directive 2000/53/EC	Compliant
China RoHS 2 Directive MIIT Order No 32, 2016	No Restricted Materials Above Threshold
EU REACH Regulation (EC) No. 1907/2006	Current ECHA Candidate List: JUN 2020 (209) Candidate List Declared Against: JAN 2019 (197) Does not contain REACH SVHC



Halogen Content	Out of Scope - excluded from Halogen requirements
-----------------	---

Solder Process Capability	Not applicable for solder process capability
---------------------------	--

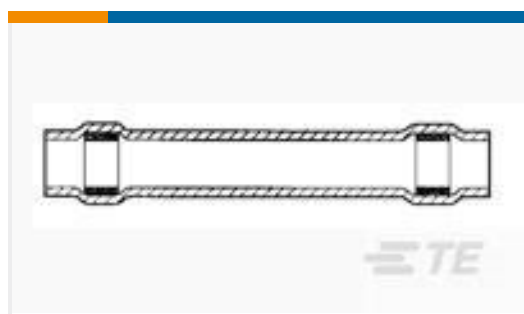
Product Compliance Disclaimer

This information is provided based on reasonable inquiry of our suppliers and represents our current actual knowledge based on the information they provided. This information is subject to change. The part numbers that TE has identified as EU RoHS compliant have a maximum concentration of 0.1% by weight in homogenous materials for lead, hexavalent chromium, mercury, PBB, PBDE, DBP, BBP, DEHP, DIBP, and 0.01% for cadmium, or qualify for an exemption to these limits as defined in the Annexes of Directive 2011/65/EU (RoHS2). Finished electrical and electronic equipment products will be CE marked as required by Directive 2011/65/EU. Components may not be CE marked. Additionally, the part numbers that TE has identified as EU ELV compliant have a maximum concentration of 0.1% by weight in homogenous materials for lead, hexavalent chromium, and mercury, and 0.01% for cadmium, or qualify for an exemption to these limits as defined in the Annexes of Directive 2000/53/EC (ELV). Regarding the REACH Regulation, the information TE provides on SVHC in articles for this part number is based on the latest European Chemicals Agency (ECHA) 'Guidance on requirements for substances in articles' posted at this URL: <https://echa.europa.eu/guidance-documents/guidance-on-reach>

Compatible Parts



TE Model / Part # D17660-000
D-200-82



TE Model / Part # A36675-000
D-200-83

Customers Also Bought



TE Model / Part #1670249-2
GET .64 CONNECTOR SYSTEM,
CONNECTOR HSG



TE Model / Part #9-1563194-9
MQS, CONNECTOR HOUSING



TE Model / Part #E441533001
MPCB-25.00-2



TE Model / Part #D812093001
ACW0219-0.50-61(NS)



TE Model / Part #CD31193001
ACW0219-0.50-73(NS)



TE Model / Part #1227983001
ACW0219-1.50-06(NS)



TE Model / Part #2525596025
RBK-ILS-125-NR1-0-80MM

Documents



Product Drawings

[55A1814-20-5-5](#)

English

Datasheets & Catalog Pages

[1654025_Sec9_SPEC55](#)

English

[Raychem Wire and Cable Quick Reference Guide](#)

English

Product Specifications

[Product Specification](#)

English