

6

5

4

3

2

1

MATERIAL AND FINISH:

Insulator: PBT glass filled, UL-94V-0 rated, color (see ordering code)

Shell: Brass, Tin plated

Contacts: Phosphor Bronze, Gold (see chart) on mating end, Tin on termination end all over Nickel plated

MECHANICAL SPECIFICATIONS:

Durability: 1500 cycles at 15 to 20 cycles per minute

Insertion force: 35 N max.

Withdrawal force: 10 N max.

ELECTRICAL SPECIFICATIONS:

Rated current: 1.5 A max.

Rated voltage: 250 VAC min.

Insulation resistance: 1000 Mohm min. at 500 VDC

Dielectric withstanding voltage: 750 VAC for one minute

Contact resistance: 30 mohm max.

Contact capacitance: 2 pf max.

ENVIRONMENTAL:

Operating temperature: -40°C to +85°C

SOLDERABILITY:

Solder time: 5 sec. ± 0.5 sec.

Solder temp: 245°C ± 5°C

ORDERING CODE:

USB-FA2RP
 1 2

1) INSULATOR COLOR

1 = BEIGE

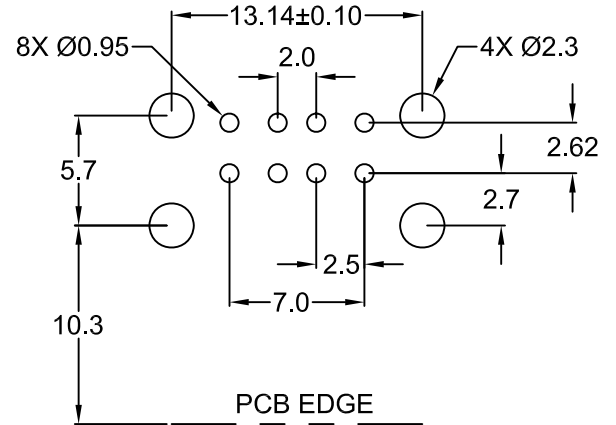
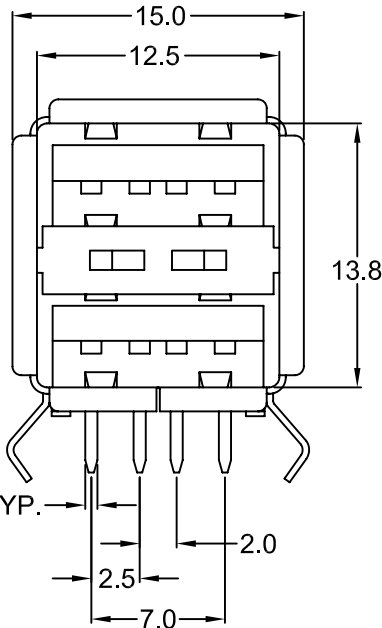
2 = BLACK

3 = WHITE

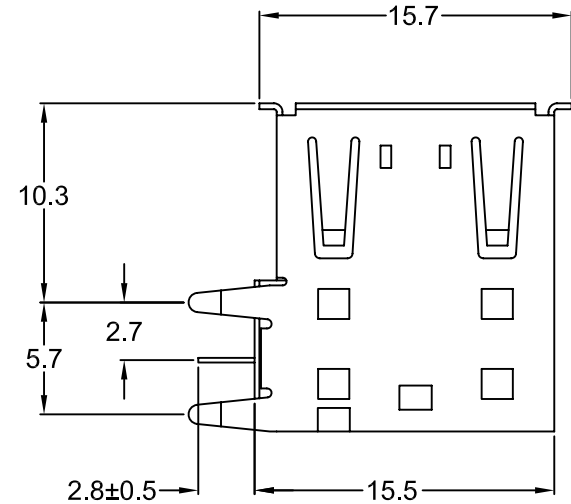
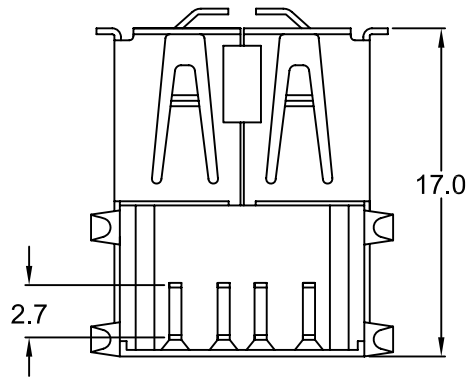
**2) PLATING
SEE CHART**

**RoHS
COMPLIANT**

P/N	PLATING
USB-FA2RPX1	GOLD FLASH
USB-FA2RPX2	10µ"
USB-FA2RPX3	15µ"
USB-FA2RPX4	30µ"



**RECOMMENDED
PCB LAYOUT (TOP VIEW)**



REVISIONS	CHNG	CHECK	APPR
	DATE	CHANGE	
	REV	PLATING & PCB LAYOUT	PB
	A	7/30/07	

TOLERANCE UNLESS OTHERWISE SPECIFIED	
X	± 1
X.X	± 0.4
X.XX	± 0.20
DRAWN BY	QJ
CHECK BY	TD
APPR BY	PB
DATE:	06/21/02
DATE:	06/26/02
DATE:	06/26/02

Power Dynamics, Inc.
 Phone: 973 560-0019 Whippany, New Jersey Fax: 973 560-0076

**PART: USB CONNECTOR, 'A' TYPE, FEMALE 90°
2 PORT STACKED, PCB PIN**

USB-FA2RPXX

ALL DIMENSIONS FOR REFERENCE ONLY
DIMENSIONS ARE IN MILLIMETERS

SHEET 1 of 1
REV: A

6

5

4

3

2

1