

V23601A1227E 1=LP-KUPPLER ✓ ACTIVE

TE Part # 1-1393662-4

TE Internal #: 1-1393662-4

[View on TE.com >](#)



Connectors > RF & Coax Connectors > Coax Contacts



Connector System: **Cable-to-Board**

Sealable: **No**

Connector & Contact Terminates To: **Printed Circuit Board**

PCB Mount Orientation: **Vertical**

Contact Type: **Socket**

Features

Product Type Features

Connector Type	Coaxial Contacts
Product Type	Contact Insert
Connector System	Cable-to-Board
Sealable	No
Connector & Contact Terminates To	Printed Circuit Board

Configuration Features

PCB Mount Orientation	Vertical
-----------------------	----------

Electrical Characteristics

Impedance	50 Ω
-----------	-------------

Body Features

Body Style	Right Angle
------------	-------------

Contact Features

RF Connector Center Contact Material	Brass
Contact Type	Socket
RF Connector Center Contact Plating Material	Gold



Mating Contact Retention	Without
--------------------------	---------

Mechanical Attachment

Panel Mount Feature Type	Bulkhead
Connector Mounting Type	Board Mount

Operation/Application

For Use With	DIN 41612 M Male Connectors
Circuit Application	Power & Signal

Packaging Features

Packaging Quantity	100
Packaging Method	Tray

Other

Dielectric Material	PTFE
---------------------	------

Product Compliance

[For compliance documentation, visit the product page on TE.com>](#)

EU RoHS Directive 2011/65/EU	Not Compliant
EU ELV Directive 2000/53/EC	Not Compliant
China RoHS 2 Directive MIIT Order No 32, 2016	Restricted Materials Above Threshold
EU REACH Regulation (EC) No. 1907/2006	Current ECHA Candidate List: JAN 2019 (197) Candidate List Declared Against: JAN 2019 (197)
Halogen Content	Low Bromine/Chlorine - Br and Cl < 900 ppm per homogenous material. Also BFR /CFR/PVC Free
Solder Process Capability	Wave solder capable to 265°C

Product Compliance Disclaimer

This information is provided based on reasonable inquiry of our suppliers and represents our current actual knowledge based on the information they provided. This information is subject to change. The part numbers that TE has identified as EU RoHS compliant have a maximum concentration of 0.1% by weight in homogenous materials for lead, hexavalent chromium, mercury, PBB, PBDE, DBP, BBP, DEHP, DIBP, and 0.01% for cadmium, or qualify for an exemption to these limits as defined in the Annexes of Directive 2011/65/EU (RoHS2). Finished electrical and electronic equipment products will be CE marked as required by Directive 2011/65/EU. Components may not be CE marked. Additionally, the part numbers that TE has identified as EU ELV compliant have a maximum concentration of 0.1% by weight in homogenous materials for lead, hexavalent chromium, and mercury, and 0.01% for cadmium, or qualify for an exemption to these limits as defined in the Annexes of Directive 2000/53/EC (ELV). Regarding the REACH Regulations, TE's information on SVHC in articles for this part number is still based on the European Chemical Agency (ECHA) 'Guidance on requirements for substances in articles' (Version: 2, April 2011), applying the 0.1% weight on weight concentration threshold at the finished product level. TE is aware of the European Court of Justice ruling of September 10th, 2015 also known as O5A (Once An Article Always An Article) stating that, in case of 'complex object', the threshold for a SVHC must be applied to both the

product as a whole and simultaneously to each of the articles forming part of its composition. TE has evaluated this ruling based on the new ECHA "Guidance on requirements for substances in articles" (June 2017, version 4.0) and will be updating its statements accordingly.

Customers Also Bought



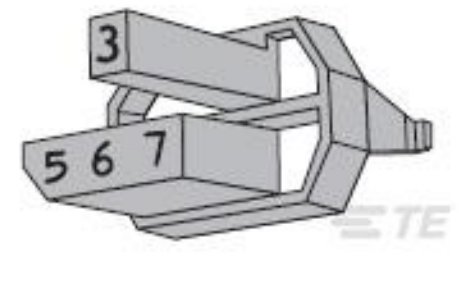
TE Part #100745-1
Z-PACK/L M-HSG 06P.




TE Part #5646488-1
2MM H.M., A/B-19
RECEPT. ASSY.



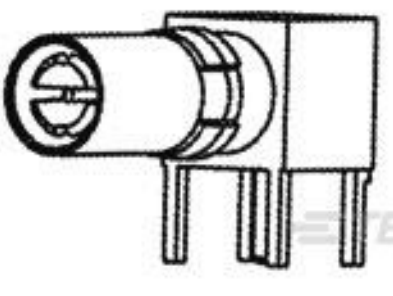
TE Part #5148412-5
ASSY,PIN,R.A.,TYPE M,
EUROCARD,L-FREE,60+



TE Part #6-100526-3
CODING DEV INSRT
COLOR ORANGE



TE Part #1-1393662-0
V23601A 927E 1=LP-
STECKER



TE Part #1-1393662-2
V23601A1127E 1=LP-
STECKER



TE Part #1052421-1
2052 0000 00,SMA FM
JACK RECPT



TE Part #148420-5
EURO TYPE M REC 60+4,
THIN STK



TE Part #5148420-5
ASSY,RECPT,TYPE M,
EUROCARD,L-F



TE Part #787394-7
68 50SR R/A RCPT ASSY,
REDESIGN

Documents

Product Drawings

V23601A1227E 1=LP-KUPPLER

English

CAD Files

3D PDF

3D

Customer View Model

[ENG_CVM_CVM_1-1393662-4_B.2d_dxf.zip](#)

English

Customer View Model

[ENG_CVM_CVM_1-1393662-4_B.3d_igs.zip](#)

English



Customer View Model

[ENG_CVM_CVM_1-1393662-4_B.3d_stp.zip](#)

English

Datasheets & Catalog Pages

[DIN Inserts](#)

English

Product Environmental Compliance

[TE Material Declaration](#)

English